



2.75W Fixed Blade USB Charger - UK



CE

Features

- Fixed Blade
- CoC Tier 2 Compliance
- Low Cost
- No Y Caps

Applications

- Portable Electronics
- Personal Electronics

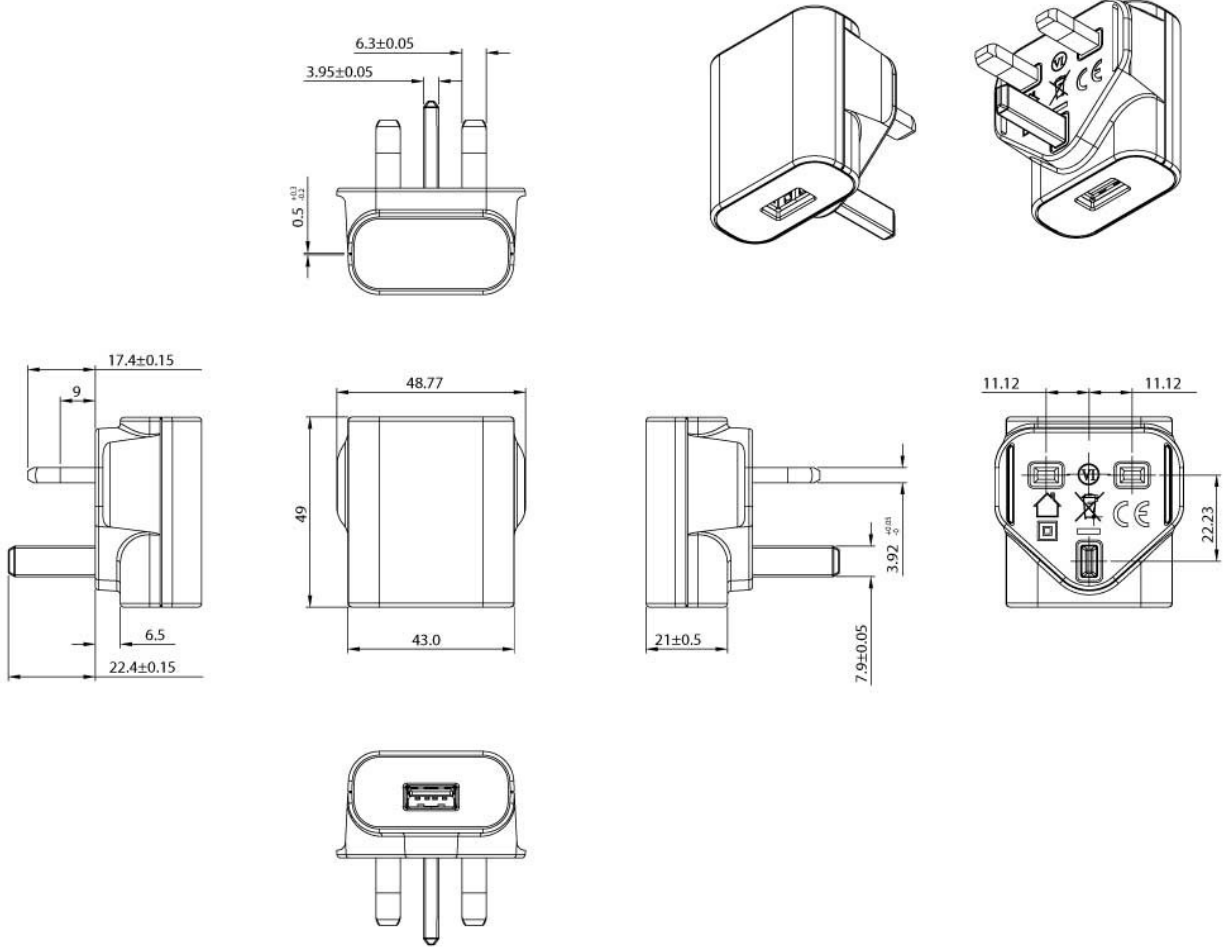


AQ03K Specifications¹

| Model | | AQ03K-050A-R | AQ03K-050AW-R ² |
|--------------------------|--|---|----------------------------|
| Output | DC Output Voltage | 5.0V | |
| | Max Current | 0.55A | |
| | Output Power | 2.75W | |
| | Regulation | ± 5% | |
| | Ripple & Noise P-P(max) ³ | 150mV | |
| Input | AC Input Voltage Range | 90 to 264VAC | |
| | AC Input Frequency | 47 to 63Hz | |
| | Input Current | 0.1A (RMS) max | |
| | No Load Power Consumption at 115VAC Input | 0.018W | |
| | No Load Power Consumption at 230VAC Input | 0.036W | |
| | 115VAC Average Efficiency ⁴ | 72.92% | |
| | 230VAC Average Efficiency ⁴ | 70.71% | |
| | 230VAC 10% Load Efficiency ⁴ | > 59.9% | |
| | Leakage Current | 20uA max @264VAC/63Hz | |
| Protection | Over-Voltage | 7.5V max | |
| | Short Circuit | The output can be shorted without damage | |
| Environmental | Operating Temperature | 0°C to +40°C | |
| | Non-Operating Temperature | -25° to +75°C | |
| | Operating Humidity | 10% to 90% RH max | |
| Safety Approvals and EMC | Dielectric Withstand (HI-POT) | Primary to Secondary: 3000VAC for 1min, 10mA | |
| | Insulation Resistance | Primary to Secondary: >7M ohm for 500VDC | |
| | Standards | IEC 62368-1 | |
| | EMI Emissions | EN 55032/CISPR 32 Class B Conducted and Radiated | |
| | Harmonic Current Emissions | IEC 61000-3-2 | |
| | Voltage Fluctuations & Flicker | IEC 61000-3-3 | |
| | Immunity | EN 55024/CISPR 24, EN55035/CISPR 35: IEC 61000-4-2 (Contact: ±8KV, Air: ±15KV), IEC 61000-4-3, IEC 61000-4-4, IEC 61000-4-5 (±2kV), IEC 61000-4-6, IEC 61000-4-8, IEC 61000-4-11 | |
| Mechanical | Dimensions (L x W x H) | 49.0mm (1.93in) x 48.8mm (1.92in) x 43.4mm (1.71in) | |
| | Weight | 36g | |
| | DC Output Connector | USB-A | |
| | Case Color | Black | White |
| Notes | <ol style="list-style-type: none"> The specifications defined are at ambient temperature of 25C, unless otherwise specified. Special Order. Minimum order quantity applies. 20MHz bandwidth frequency oscilloscope, add a 0.1µF multilayer Cap. and Low ESR Electrolytic Cap. (10µF) at output connector terminals (nominal line voltage, full load). Efficiency is measured after 30 minutes burn-in. | | |



AQ03K Outline Drawing





USB Cables – Sold Separately

Unit: mm

| | |
|------------------------|---|
| Part no: IP-USB1(C10)S | Desc: USB-A to Micro-B – 1 Meter – Black |
| | |
| Part no: IPUSB1CS | Desc: USB to Mini-B – 1.5 Meter – Black |
| | |
| Part no: IPUSB1MS | Desc: USB-A to Micro-B – 1.5 Meter – Black |
| | |
| Part no: IPUSB1M5LD | Desc: USB-A to Micro-B – 24AWG – Low Drop – 1.5 Meter – Black |
| | |
| Part no: IPUSB1P5 | Desc: USB-A to Micro-B – 1 Meter – 24AWG – Black |
| | |
| Part no: IPUSB1P5W | Desc: USB-A to Micro-B – 1 Meter – 24AWG – White |
| | |

| | |
|-----------------------|--|
| Part no: IPUSB1MSW | Desc: USB-A to Micro-B – 1.5 Meter – White |
| | |
| Part no: UES-1001A160 | Desc: Low Drop Type-C USB Cable – 1 Meter – 23AWG on Power – 30AWG on Data - Black |
| | |
| Part no: UES-1003A160 | Desc: Low Drop Type-C USB Cable - 1 Meter – 23AWG on Power – 30AWG on Data - White |
| | |