



2.75W Compact Fixed Blade USB Charger



Features

- Fixed Blade
- DOE Level VI Compliance
- No Y Caps
- Low Cost
- CoC Tier 2 Compliance

Applications

- Portable Electronics
- Personal Electronics

Safety Approvals

- cUL/UL 62368-1¹
- CE²
- CB IEC62368-1²
- RCM³
- CCC⁴

Mechanical Characteristics – US Models

- Length: 42mm (1.65in)
- Width: 43mm (1.69in)
- Height: 21.0mm (0.83in)
- Weight: 28g (0.99oz)

Mechanical Characteristics – China Models

- Length: 42.5mm (1.67in)
- Width: 43.5mm (1.71in)
- Height: 21.0mm (0.83in)
- Weight: 28g (0.99oz)

Mechanical Characteristics – EU Models

- Length: 60.2mm (2.37in)
- Width: 43mm (1.69in)
- Height: 21.0mm (0.83in)
- Weight: 30g (1.06oz)

Mechanical Characteristics – UK Models

- Length: 49mm (1.93in)
- Width: 48.8mm (1.92in)
- Height: 27.5mm (1.08in)
- Weight: 36g (1.27oz)

Mechanical Characteristics – AUS Models

- Length: 53.7mm (2.11in)
- Width: 43mm (1.69in)
- Height: 25.0mm (0.98in)
- Weight: 36g (1.27oz)

Output Specifications

Model	DC Output Voltage	Load		Ripple ⁵ P-P (max)	Regulation		Prong Style
		Min.	Max.		Line	Load	
AQ03A-050A-R	5V	0A	0.55A	150mV	±5%		US
AQ03C-050A-R ⁶	5V	0A	0.55A	150mV	±5%		China
AQ03E-050A-R	5V	0A	0.55A	150mV	±5%		EU
AQ03K-050A-R	5V	0A	0.55A	150mV	±5%		UK
AQ03S-050A-R	5V	0A	0.55A	150mV	±5%		AUS

Notes:

1. AQ03A-050A-R model only
2. AQ03E-050A-R and AQ03K-050A-R models only
3. AQ03S-050A-R model only
4. AQ03C-050A-R model only
5. Measured after 10 minutes with by-pass capacitors 0.1uf // 10uf at output connector terminal and oscilloscope set at 20MHz.
6. Special order MOQ

INPUT:**AC Input Voltage Rating**

100 to 240VAC

AC Input Voltage Range

90 to 264VAC

AC Input Frequency Range:

47-63Hz

AC Input Current

0.1A(RMS) max.

Leakage Current

20uA max @ 264VAC/63Hz

Input Power Saving

<75mW @115VAC/230VAC)

OUTPUT:**Power**

2.75W Maximum

Efficiency²

DOE Level VI

COC V5 Tier 2

ENVIRONMENTAL:**Temperature**

Operation 0°C to +40°C

Non-operation -25°C to +75°C

Humidity 90% RH max

Immunity

ESD: EN61000-4-2. Level 4

Surge: EN61000-4-5. Level 4

Harmonic: EN61000-3-2

Flicker: EN61000-3-3

Emissions

Complies with FCC Class B

Complies with EN55022 Class B

Dielectric Withstand (Hi-pot) Test

Primary to Secondary: 3000VAC, 10mA, 1S

Insulation Resistance

Primary to Secondary: >7M ohm 500VDC

FEATURES:**Short Circuit Protection**

The output can be shorted permanently without damage

Over Voltage Protection

<7.5V

DC Output Connector

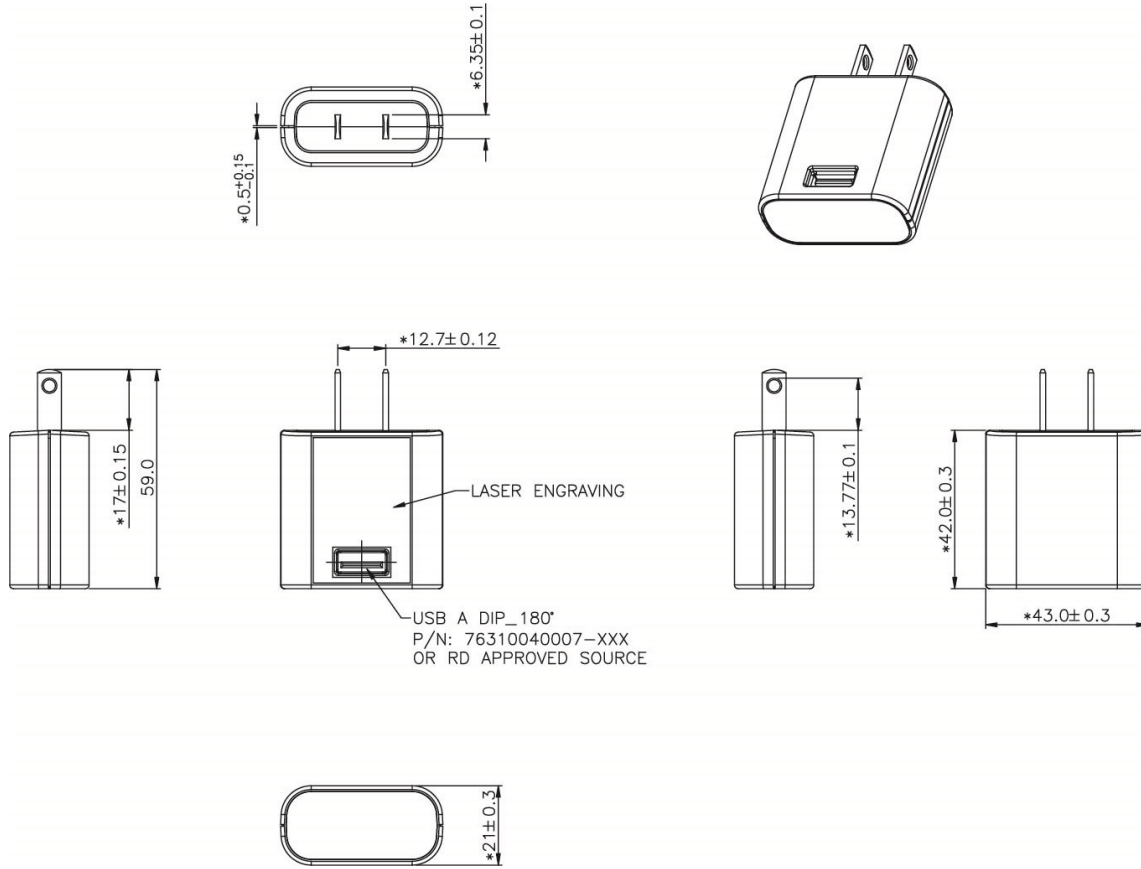
USB A

Notes:

1. The characteristics defined are at ambient temperature of 25°C unless otherwise specified
2. Efficiency is measured after 30 minutes burn-in

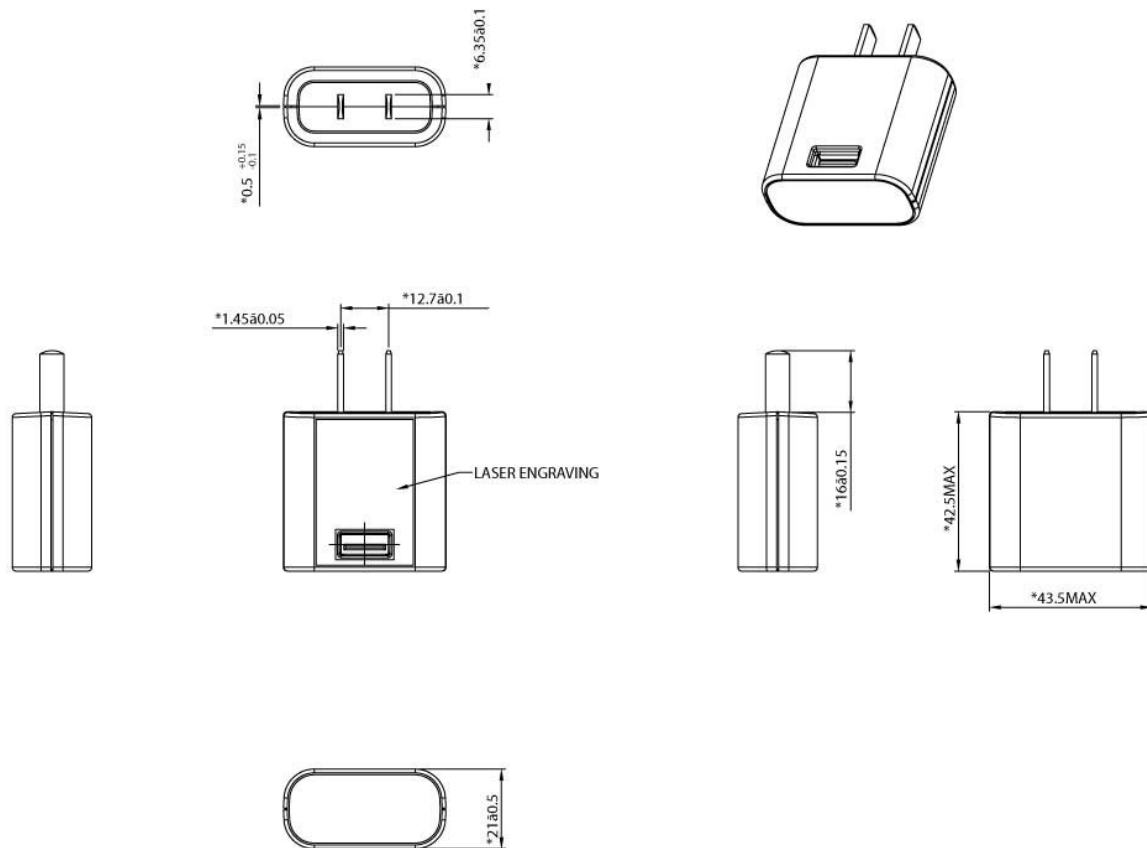
AQ03A Outline

Dimension Diagram Unit: mm



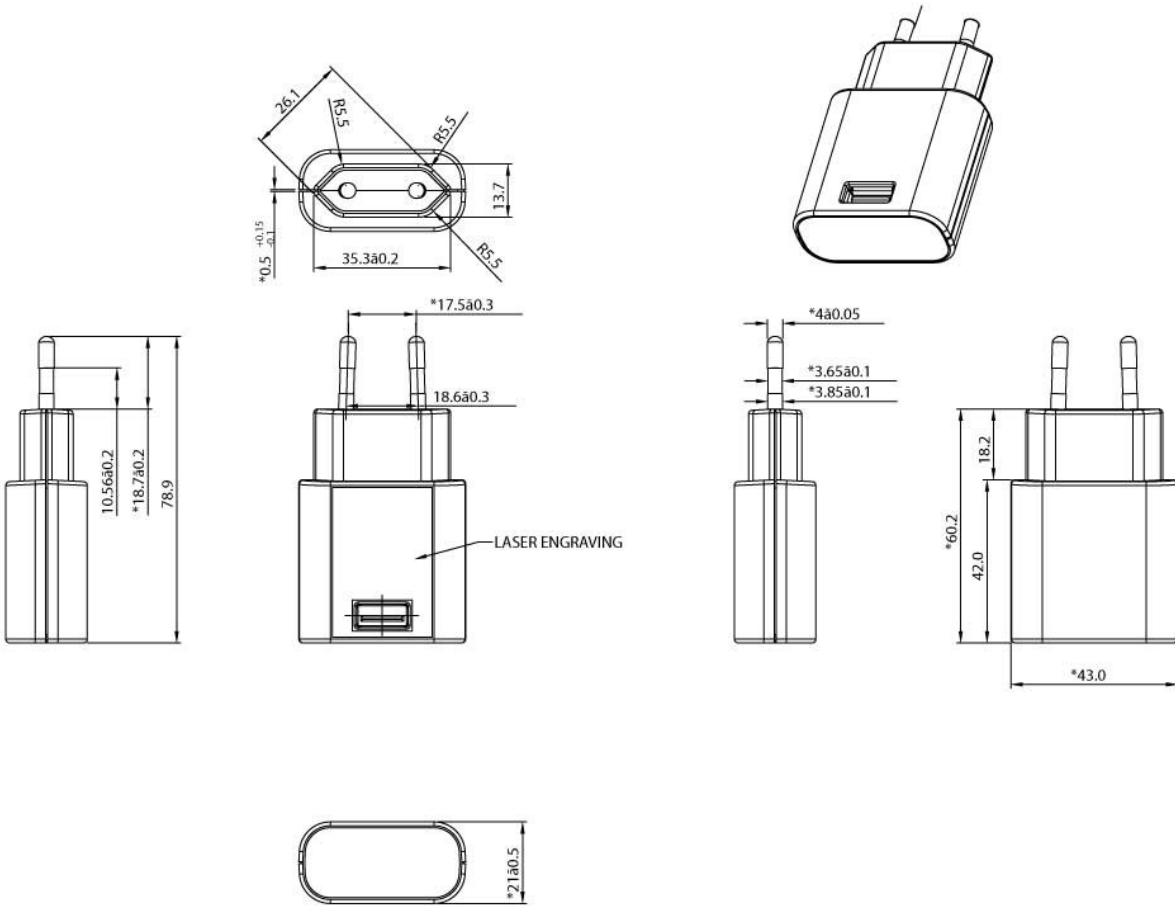
AQ03C Outline

Dimension Diagram Unit: mm



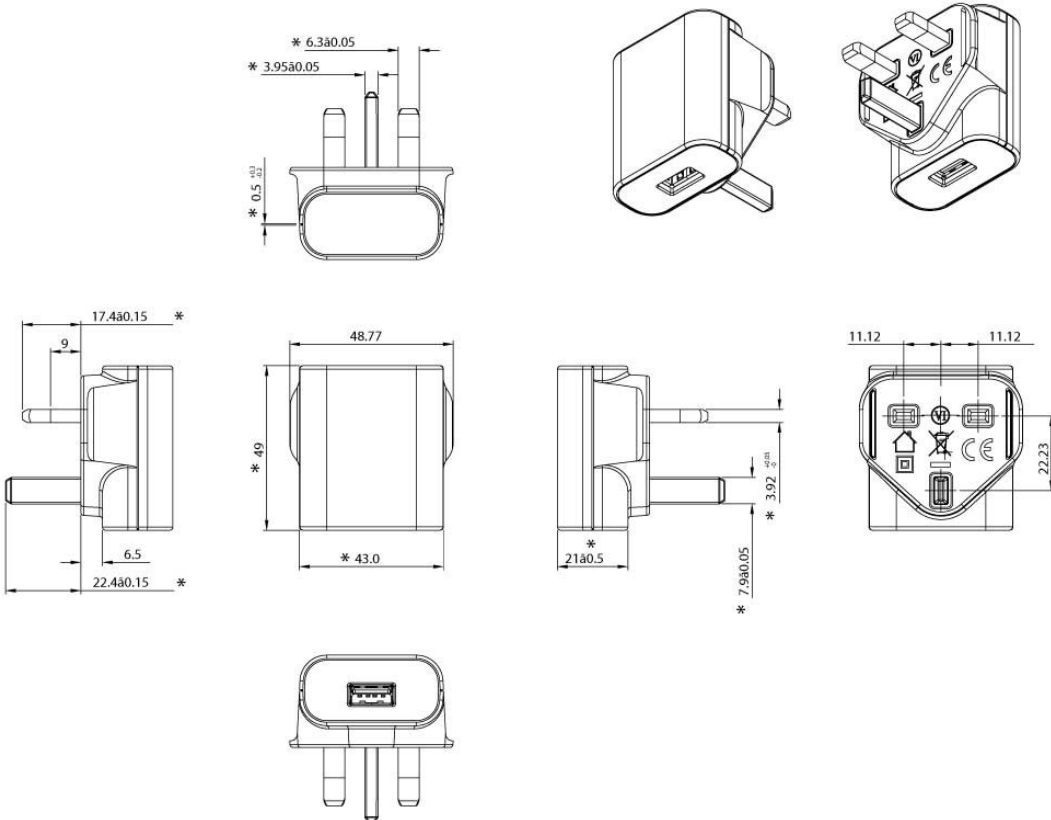
AQ03E Outline

Dimension Diagram Unit: mm



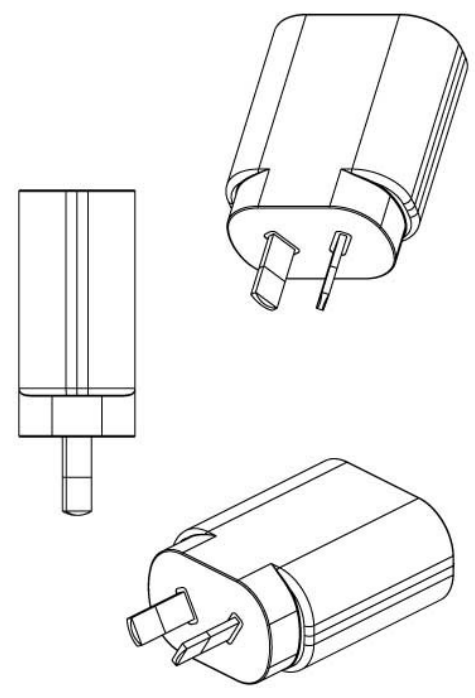
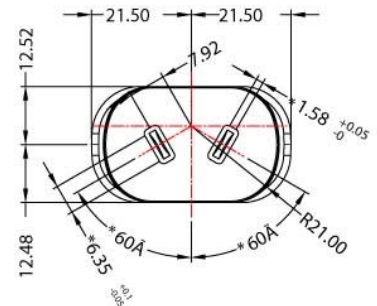
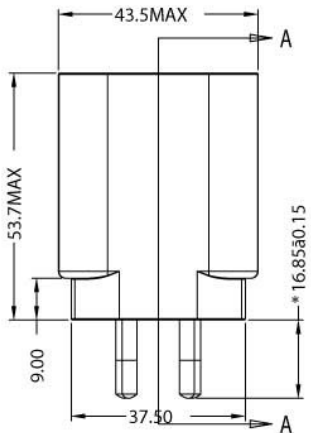
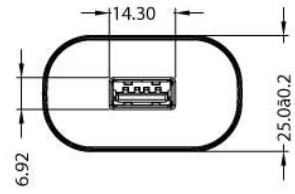
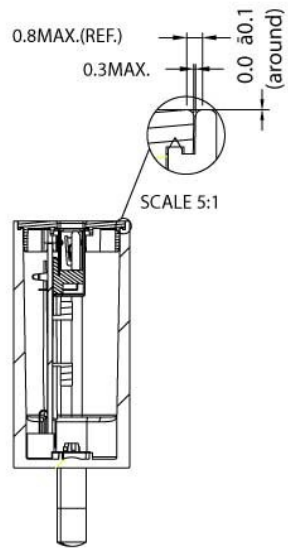
AQ03K Outline

Dimension Diagram Unit: mm



AQ03S Outline

Dimension Diagram Unit: mm



**Supplier's Declaration of Conformity
47 CFR § 2.1077 Compliance Information**

AQ03A-050A-R

Phihong USA Corporation
47800 Fremont Boulevard
Fremont, CA 94538
Telephone: (510) 445-0100
www.phihong.com

NOTE: This model has/The models in this product series have been tested and found to comply with the limits for a Class B digital device, pursuant to part 15 of the FCC Rules. These limits are designed to provide reasonable protection against harmful interference in a residential installation. This equipment generates, uses and can radiate radio frequency energy and, if not installed and used in accordance with the instructions, may cause harmful interference to radio communications. However, there is no guarantee that interference will not occur in a particular installation. If this equipment does cause harmful interference to radio or television reception, which can be determined by turning the equipment off and on, the user is encouraged to try to correct the interference by one or more of the following measures:

- Reorient or relocate the receiving antenna.
- Increase the separation between the equipment and receiver.
- Connect the equipment into an outlet on a circuit different from that to which the receiver is connected.
- Consult the dealer or an experienced radio/TV technician for help.

Changes or modifications to equipment not expressly approved by PHIHONG could void the user's authority to operate the equipment.