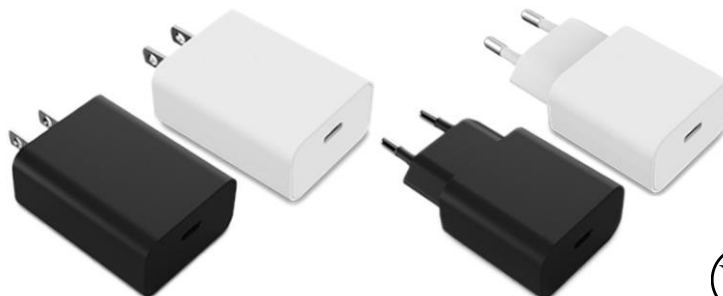




15 Watt USB Adapter with USB Type-C



Features

- USB Type-C
- DOE Level VI, CoC V5Tier 2
- Class B EMI
- Limited Power Source (LPS)
- Voltage Drop Compensation
- Complies with USB Battery Charging 1.2
- Over Voltage and Short Circuit Protections

Applications

- Mobile Phone
- Tablet
- Notebook
- Networking Devices
- Monitor

Safety Approvals (Preliminary)

- cUL/UL 60950-1¹
- CB IEC60950-1
- cUL/UL 62368-1¹
- CE²

Mechanical Characteristics

- Length: 52mm (2.05in)
- Width: 40mm (1.57in)
- Height: 23.3mm (0.92in)

Output Specifications

Model	Prong Style	Case Color	Output Power	Output Voltage	Current Rating	Ripple ³ P-P (max.)
AQ15A-050A-H	US	Black	15W	5V	3A	150mV
AQ15A-050AW-H	US	White	15W	5V	3A	150mV
AQ15E-050A-H	EU	Black	15W	5V	3A	150mV
AQ15E-050AW-H	EU	White	15W	5V	3A	150mV

Notes:

1. AQ15A-050A-H, AQ15A-050AQ-H models only
2. AQ15E-050A-H, AQ15E-050AQ-H models only
3. Measured by using a 12 inch twisted pair terminated with a 10uF & 0.1uF ceramic in parallel. Oscilloscope is set to 20MHz.

Input:**AC Input Voltage Rating**

100 to 240V AC

AC Input Voltage Range

90 to 264V AC

AC Input Frequency

47 to 63Hz

Input Current

0.5A (RMS) maximum at 100Vac

Leakage Current

20uA Max.

Inrush Current

60A max @240V (Cold start)

Input Power Saving

<75mW @115VAC/230VAC

Output:**Efficiency²**

US DOE Level VI

CoC V5 Tier 2

Environmental:**Temperature**

Operation 0 to +40°C

Non-operation -40 to +85°C

Humidity 90% RH max

DC Output Connector

USB Type C

Emissions

Complies with FCC Class B

Complies with EN55032 Class B

Immunity

EN61000-4-2, Level 4

EN61000-4-5

Hold-up Time

10mS minimum at 115V/60Hz &

230Vac/50Hz max load

Over-Voltage Protection

Output voltage shall not exceed 9V

Short-Circuit Protection

Auto Recover

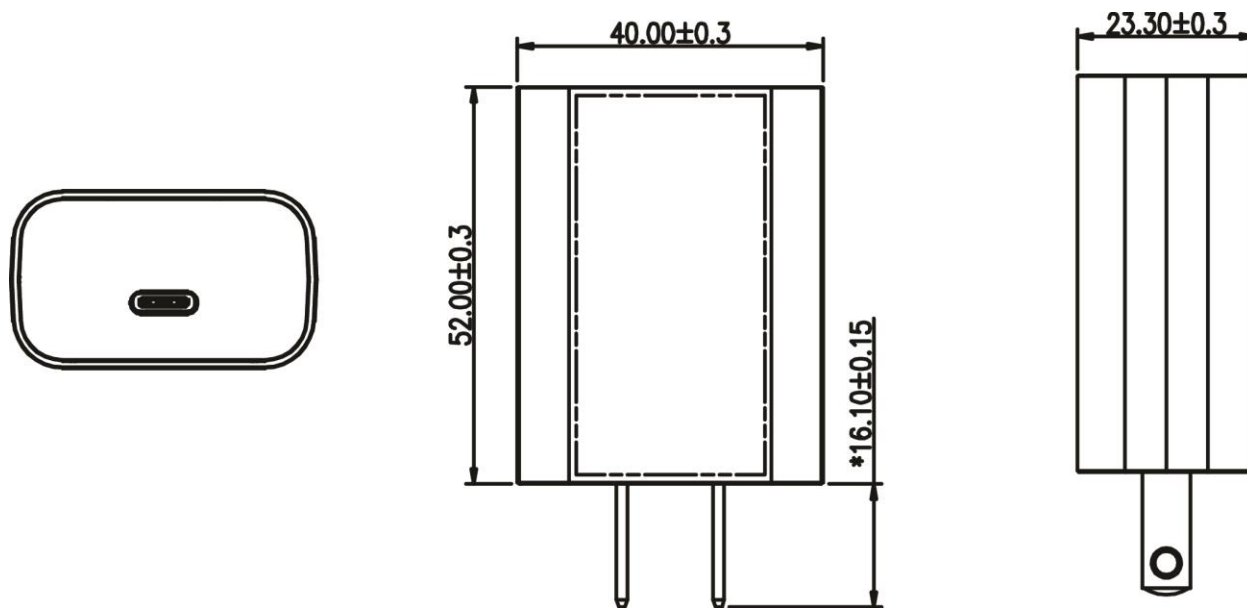
Dielectric Withstand (Hi-pot) Test

Primary to Secondary: 3000V AC for 1 min., 10mA

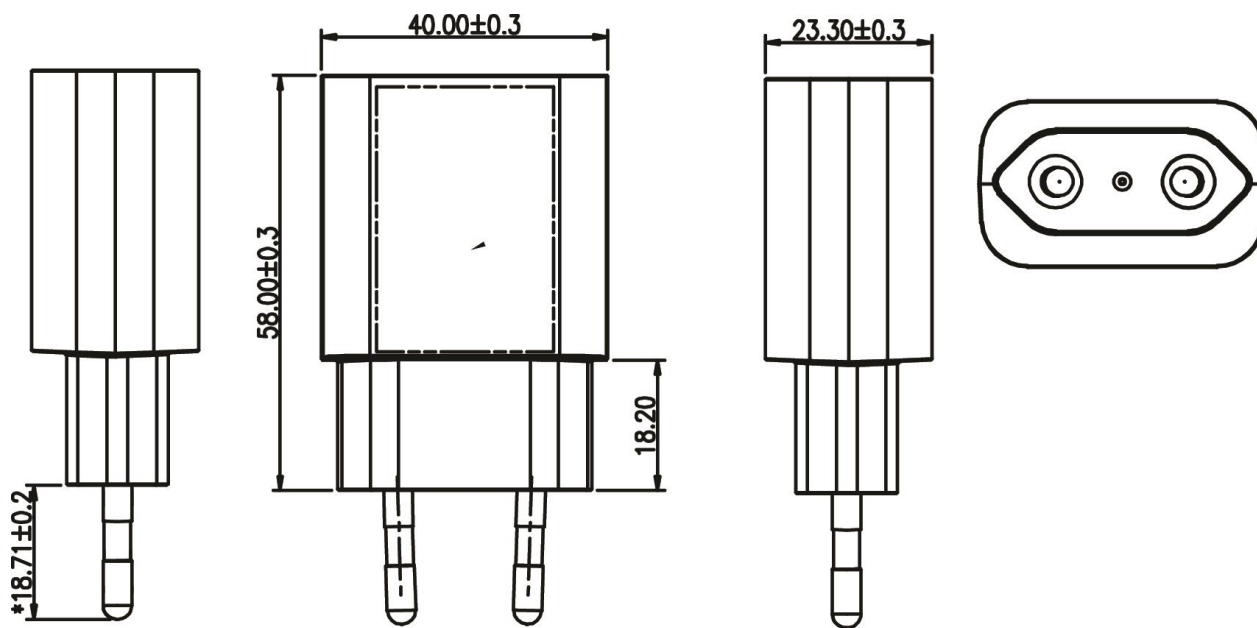
Notes:

1. The characteristics defined are at ambient temperature of 25°C unless otherwise specified
2. Efficiency is measured after 30 minutes burn-in

AQ15A-050A-H Dimension Diagram Unit: mm



AQ15E-050A-H Dimension Diagram Unit: mm



USB Cables – Sold Separately

Part no: UES-1001A160	Desc: Low Drop Type-C USB Cable – 1 Meter – 23AWG on Power – 30AWG on Data - Black
Part no: UES-1003A160	Desc: Low Drop Type-C USB Cable - 1 Meter – 23AWG on Power – 30AWG on Data - White



**Supplier's Declaration of Conformity
47 CFR § 2.1077 Compliance Information**

Phihong USA Corporation
47800 Fremont Boulevard
Fremont, CA 94538
Telephone: (510) 445-0100
www.phihong.com

This device complies with/The devices in this product series comply with part 15 of the FCC Rules. Operation is subject to the following two conditions: (1) This device may not cause harmful interference, and (2) this device must accept any interference received, including interference that may cause undesired operation.