



20W Single Port Power over Ethernet Midspan IEEE802.3AF Compliant Power Injector



Features

- Compliant with IEEE802.3AF
- Non-vented Case
- Full Protection OVP, OCP
- Limited Power Source
- Gigabit Compatible
- 1 year warranty

Applications

- IP Telephones
- Wireless Access Points
- Bluetooth® Access Points
- Security Cameras
- IP Print Servers
- WiMAX® Access Points

Safety Approvals

- cUL/UL
- CE

Mechanical Characteristics

- Length: 140mm (5.51in.)
- Width: 65mm (2.55in.)
- Height: 36mm (1.42in.)
- Weight: 0.2Kg (7.58oz)

Output Specifications

Model	AC Input	DC Output Voltage	Load		Regulation	
			Min.	Max.	Line	Load
POE29U-1AF-R	Three Wire	56V	10mA	357mA	54-57V	

Phihong is not responsible for any error, and reserves the right to make changes without notice. Please visit our website at www.phihong.com for the most up-to-date specifications and contact information.

INPUT:**AC Input Voltage Rating**

100 to 240VAC

AC Input Voltage Range

90 to 264VAC

AC Input Current

0.8A (RMS) maximum at 120VAC

0.55A (RMS) maximum at 240VAC

AC Input Frequency

47 to 63Hz

Leakage Current

350uA maximum for U models

250uA maximum for W models

Max In-rush Current

60A maximum at 240VAC and maximum load (Cold Start at ambient 25°C)

OUTPUT:**Output Power**

20W

Hold up Time

10mSec minimum at maximum load at 120VAC, 60Hz

Transient O/P Voltage Protection

60V maximum at switch on/off at any AC line phase

Efficiency

80% Typical at maximum load at 120VAC, 60Hz

ENVIRONMENTAL**Temperature**

Operation -20 to +50°C

Non-operating -20 to +70°C

Humidity 5 to 90%

EMI

Complies with FCC Class B

Complies with EN55032 Class B

EMC

ESD: IEC61000-4-2 Level 3

RS: IEC61000-4-3 Level 3

EFT/Burst: IEC61000-4-4 Level 2

Surge: IEC61000-4-5 Level 3

CS: IEC61000-4-6 Level 3

Voltage Dips: IEC61000-4-11

Harmonic: IEC61000-3-2 Class A

Isolation (HI-POT)

Primary to secondary: 1500VAC for 1 minute, 10mA

Insulation Resistance

Primary to secondary: 10M Ohm 500VDC

FEATURES:**Over Voltage/Current, Short Circuit Protection**

The output can be shorted permanently without damage.

Indicators

Solid Green: Valid IEEE802.3af load detected and connected "ON"

Blinking Green: Power "ON" ready for connection

Blinking Green/Red: Invalid load connected

Blinking Red/Green: fault

AC Input Connector

IEC320 C14 – three wire

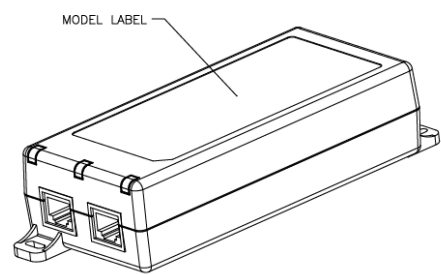
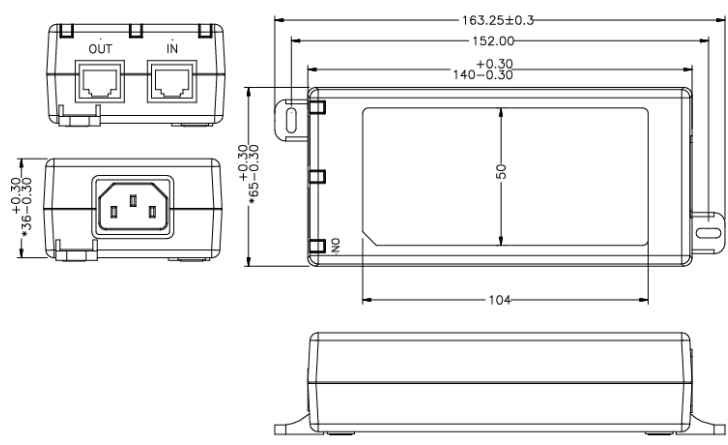
Output Connection

+pins 3,6 / -pins 1,2

Data IN/POE OUT Connector

RJ45

Dimension Diagram Unit: mm



Supplier's Declaration of Conformity
47 CFR § 2.1077 Compliance Information

Phihong USA Corporation
47800 Fremont Boulevard
Fremont, CA 94538
Telephone: (510) 445-0100
www.phihong.com

NOTE: This model has/The models in this products series have been tested and found to comply with the limits for a Class B digital device, pursuant to part 15 of the FCC Rules. These limits are designed to provide reasonable protection against harmful interference in a residential installation. This equipment generates, uses and can radiate radio frequency energy and, if not installed and used in accordance with the instructions, may cause harmful interference to radio communications. However, there is no guarantee that interference will not occur in a particular installation. If this equipment does cause harmful interference to radio or television reception, which can be determined by turning the equipment off and on, the user is encouraged to try to correct the interference by one or more of the following measures:

- Reorient or relocate the receiving antenna.
- Increase the separation between the equipment and receiver.
- Connect the equipment into an outlet on a circuit different from that to which the receiver is connected.
- Consult the dealer or an experienced radio/TV technician for help.

Changes or modifications to equipment not expressly approved by PHIHONG could void the user's authority to operate the equipment.