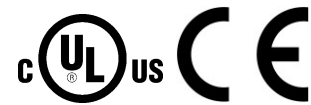




30W Single Port Power over Ethernet Midspan IEEE802.3AT Compliant Power Injector



Features

- Compliant with IEEE802.3at Standard
- Non-vented Case
- Full Protection OVP, OCP
- 1 year warranty
- Limited Power Source
- Gigabit Compatible
- May power Cisco AP1250 with ACCY125X dongle

Applications

- IP Telephones
- Wireless Access Points
- Bluetooth® Access Points
- Security Cameras
- IP Print Servers
- WiMAX® Access Points

Safety Approvals

- cUL/UL
- CE

Mechanical Characteristics

- Length: 140mm (5.51in.)
- Width: 65mm (2.55in.)
- Height: 36mm (1.42in.)
- Weight: 0.2Kg (7.58oz)

Output Specifications

Model	AC Input	DC Output Voltage	Load		Regulation	
			Min.	Max.	Line	Load
POE29U-1AT-R	Three Wire	56V	10mA	535mA	54-57V	

Phihong is not responsible for any error and reserves the right to make changes without notice. Please visit our website at www.phihong.com for the most up-to-date specifications and contact information.

INPUT:

AC Input Voltage Rating
100 to 240VAC

AC Input Voltage Range
90 to 264VAC

AC Input Current
0.8A (RMS) maximum at 120VAC
0.55A (RMS) maximum at 240VAC

AC Input Frequency
47 to 63Hz

Leakage Current
350uA max

Max In-rush Current
60A max at 240VAC and maxload (Cold Start at ambient 25°C)

OUTPUT:
Output Power
30W

Hold up Time
10mSec min at max load at 120VAC, 60Hz

Efficiency
80% Typical at max load at 120VAC, 60Hz

ENVIRONMENTAL:**Temperature**

Operating	0°C to +40°C
Non-operating	-20°C to +70°C
Relative Humidity	5 to 90%

EMI

Complies with FCC Class B
Complies with EN55032 Class B

EMC

ESD:	IEC61000-4-2 , Level 3
RS:	IEC61000-4-3, Level 3
EFT/Burst:	IEC61000-4-4, Level 2
Surge:	IEC61000-4-5, Level 3
CS:	IEC61000-4-6 , Level 3
Voltage Dips:	IEC61000-4-11
Harmonic:	IEC61000-3-2, Class A

Isolation (HI-POT)

Primary to secondary: 4242 VDC for 1 minute, 10mA

Insulation Resistance

Primary to secondary: 10M Ohm 500VDC

FEATURES:**Over Voltage/Current, Short Circuit Protection**

The output is equipped with short-circuit protection and overload protection as per the IEEE 802.3at specification and conforms to UL60950-2. The output can be shorted permanently without damage.

Indicator

Solid Green: unit has detected a IEEE802.3at or af load/PD
Blinking Green: Power “ON” ready for connection
Fast Blinking Amber/Green: Invalid load connected
Slow Blinking Amber/Green: fault

AC Input Connector

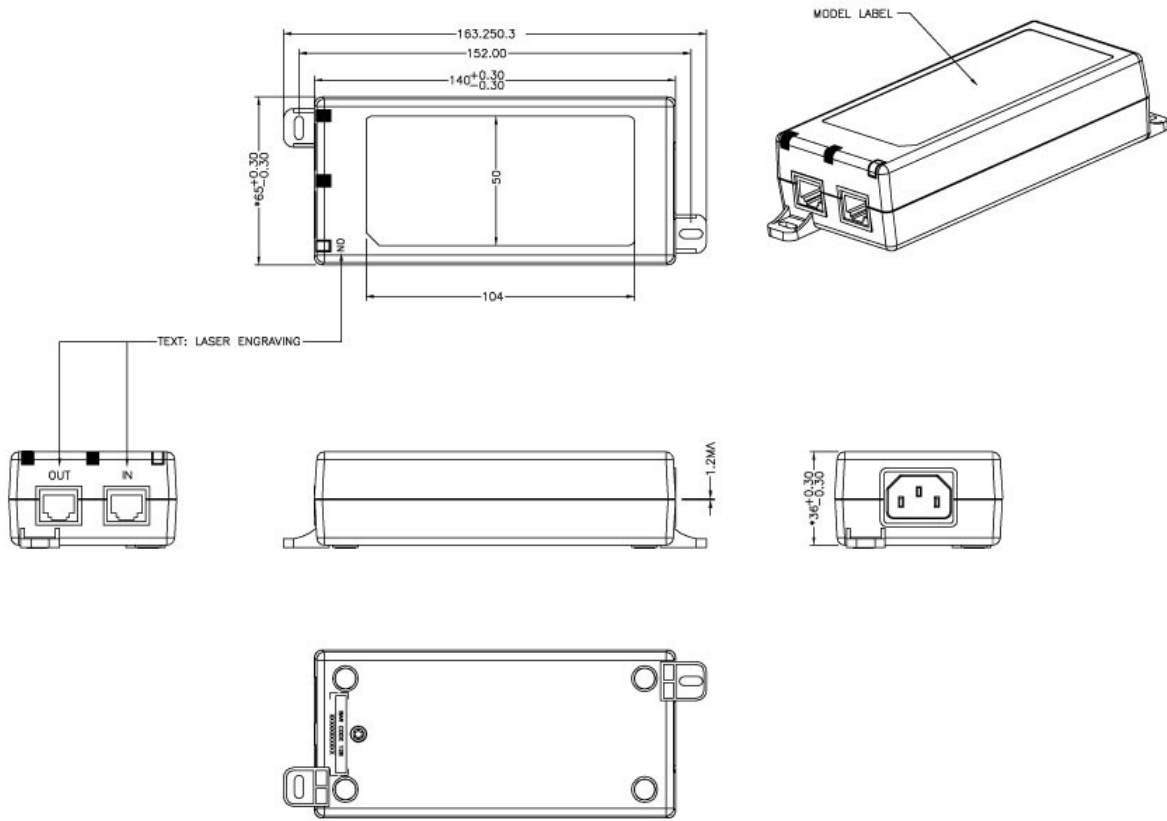
IEC320 C14 - three wire

Output Connection

+pins 3,6 / -pins 1,2

Data IN/POE OUT Connector

RJ45



Supplier's Declaration of Conformity
47 CFR § 2.1077 Compliance Information

Phihong USA Corporation
47800 Fremont Boulevard
Fremont, CA 94538
Telephone: (510) 445-0100
www.phihong.com

NOTE: This model has/The models in this products series have been tested and found to comply with the limits for a Class B digital device, pursuant to part 15 of the FCC Rules. These limits are designed to provide reasonable protection against harmful interference in a residential installation. This equipment generates, uses and can radiate radio frequency energy and, if not installed and used in accordance with the instructions, may cause harmful interference to radio communications. However, there is no guarantee that interference will not occur in a particular installation. If this equipment does cause harmful interference to radio or television reception, which can be determined by turning the equipment off and on, the user is encouraged to try to correct the interference by one or more of the following measures:

- Reorient or relocate the receiving antenna.
- Increase the separation between the equipment and receiver.
- Connect the equipment into an outlet on a circuit different from that to which the receiver is connected.
- Consult the dealer or an experienced radio/TV technician for help.

Changes or modifications to equipment not expressly approved by PHIHONG could void the user's authority to operate the equipment.