



60W Single Port Multi -Gig Power over Ethernet Midspan IEEE802.3bt Compliant Power Injector



Features

- Compliant with IEEE802.3bt Standard
- Compliant with Phihong Proprietary 12.5K Detection
- Non-Vented Case
- 4 Pair Powering +3,6,4,5 / - 1,2,7,8
- Full Protection OVP, OCP
- Limited Power Source
- Single Source 4 Pair Power Current Sharing
- Broken Wire Detection
- Gigabit Compatible
- 1 Year Warranty

Applications

- IP Telephones
- Wireless Access Points
- Bluetooth® Access Points
- Security Cameras
- IP Print Servers
- WiMAX® Access Points

Safety Approvals

- cUL/UL
- CE

Mechanical Characteristics

- Length: 140mm (5.51in.)
- Width: 65mm (2.55in.)
- Height: 36mm (1.42in.)
- Weight: 0.2Kg (0.47lbs)

Output Specifications

Model	AC Input	Data Speed	DC Output Voltage	Load		Regulation ¹	
				Min.	Max. ²	Line	Load
POE60U-1BT-R	3 Wire C14	10/100/1000	56V	10mA	1.07A	+56VDC +1V/-3V (57-53VDC)	
POE60U-1BTE-R	3 Wire C14	10/100/1000	56V	10mA	1.07A	+56VDC +1V/-3V (57-53VDC)	
POE60U-1BT-2-R	3 Wire C14	10/100/1000/2500	56V	10mA	1.07A	+56VDC +1V/-3V (57-53VDC)	
POE60U-1BT-5-R	3 Wire C14	10/100/1000/2500/5000	56V	10mA	1.07A	+56VDC +1V/-3V (57-53VDC)	
POE60U-1BT-X-R	3 Wire C14	10/100/1000/2500/5000/10000	56V	10mA	1.07A	+56VDC +1V/-3V (57-53VDC)	

Notes:

1. Voltage measured within 2" of the output RJ45 connector on data pairs 3,6(+) and 1,2(-)
 2. Combined output on data pairs and spare pairs. Otherwise 535mA on data pairs 3,6(+) 1, 2(-) and spare pairs 4,5(+) 7,8(-)
- Phihong is not responsible for any error, and reserves the right to make changes without notice. Please visit our website at www.phihong.com for the most up-to-date specifications and contact information.

INPUT:**AC Input Voltage Range**

90VAC to 264VAC

AC Input Voltage Rating

100 to 240VAC

AC Input Current

2.0A (RMS) max for 90VAC

1.2A (RMS) max for 240VAC

Leakage Current

3.5mA max @ 264VAC/50Hz

AC Inrush Current

40A (RMS) max for 115VAC

80A (RMS) max for 230VAC

OUTPUT:**Total Output Power**

60W @40C

30W @50C

Output Ripple

100mV max @25C, 100-240VAC

Efficiency

75% (typical) at max load, 120VAC 60Hz

Hold-up Time

10mS min. 120VAC/60Hz max load

ENVIRONMENTAL:**Temperature**

Operation -10°C to +40°C for 60W
 >40°C to +50°C for 30W

Non-operation -20°C to +65°C

Humidity 5 to 90%

EMC

Complies with FCC Class B

Complies with EN55032 Class B

Isolation Test

Primary to Secondary: 4242VDC for 1min
 10mA

Primary to Field Ground: 2121VDC for 1min,
 10mA

Immunity

ESD: IEC61000-4-2. Level 3

RS: IEC61000-4-3. Level 3

EFT: IEC61000-4-4. Level 2

Surge: IEC61000-4-5. Level 3

CS: IEC61000-4-6. Level 2

Voltage Dips IEC61000-4-11

Harmonic: IEC61000-3-2 Class A

Insulation Resistance

Primary to Secondary: >10M OHM 500VDC

Primary to Field Ground: >10M OHM

500VDC

FEATURES:**Over Current Protection**

Output #1(OUT) <650mA

Output #2(OUT) <650mA

Output #1 and #2 Combined(OUT) <1300mA

Over Voltage Protection

Meets UL requirements

Short Circuit Protection

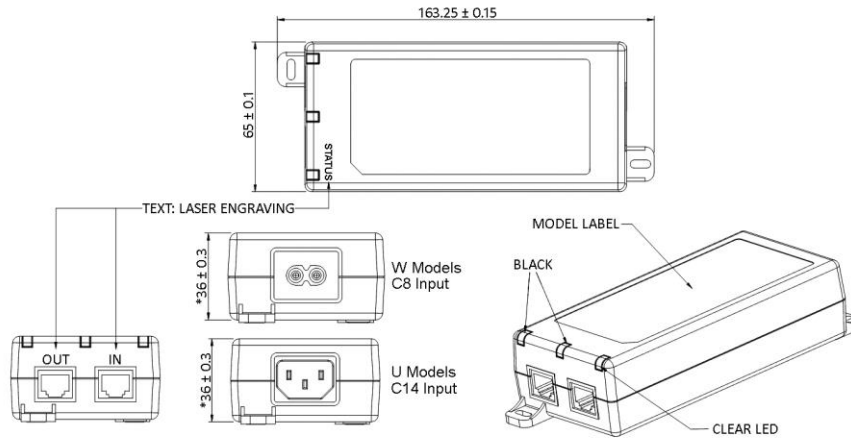
Output can be shorted permanently without damage

LED Indicators*No LED* - Power failure*Green LED short Blinking* - POE power ready but no connection*Green LED solid* - POE output power good*Green/Red LED alternate short blinking* - POE detection failure*Green LED short/Red long blinking* - POE output over power or short

Input Connector
IEC320 inlet 3 pin

Output Connection
+pins 3,6,4,5 / -pins 1,2,7,

Dimension Diagram Unit: mm



PRELIMINARY