



90W Single Port Power over Ethernet Midspan IEEE802.3BT Compliant Power Injector



Features

- IEEE802.3BT Compliant
- Diagnostic LEDs
- Compliant with Phihong Proprietary 12.5K Detection
- 1 Year Warranty
- SNMP Management Option
- Gigabit Compatible
- 4 Pair Powering +3,6,4,5 / - 1,2,7,8
- Full Protection OCP, OVP
- Single Source 4 Pair Power Current Sharing
- Broken Wire Detection
- Limited Power Source

Applications

- Satellite Receiver
- Wireless Network Access Points
- LCD Displays
- Security Cameras
- Kiosks
- Computer Workstations

Safety Approvals

- cUL/UL
- CE

Mechanical Characteristics (Standard Model)

- Length: 166mm (6.53in)
- Width: 80mm (3.15in)
- Height: 44mm (1.73in)
- Weight: 500g(1.1lbs)

Output Specifications

Model	DC Output Voltage	Load		Regulation ²	
		Min.	Max. ³	Line	Load
POE90U-1BT-R	56V	>15mA	1.6A	56VDC +1V/-2V	
POE90U-1BT-N-R ¹	56V	>15mA	1.6A	56VDC +1V/-2V	

Notes:

1. SNMP option
2. Voltage measured within 2" of the output RJ45 connector on data pairs 3,6(+) and 1,2(-)
3. Combined output on data pairs and spare pairs. Otherwise 800mA on data pairs 3,6(+) 1, 2(-) and spare pairs 4,5(+) 7,8(-)

Phihong is not responsible for any error, and reserves the right to make changes without notice. Please visit our website at www.phihong.com for the most up-to-date specifications and contact information.

INPUT:**AC Input Voltage Range**

90 to 264VAC

AC Input Voltage Rating

100 to 240VAC, 47-63Hz

AC Input Current

2.5A (RMS) maximum for 90VAC

1.2A (RMS) maximum for 240VAC

Leakage Current

3.5mA maximum @ 264VAC 50Hz

AC Inrush Current

50A (RMS) maximum for 115VAC

75A (RMS) maximum for 230VAC

OUTPUT:**Total Output Power**

90W

Ripple and Regulation

250mV max @25C, 100-240VAC

Efficiency

75% (typical) at maximum load, and 120VAC

60Hz

Hold-up Time

10mS min. 120VAC 60Hz max load

ENVIRONMENTAL:**Temperature**

Operation -20°C to +40°C

Non-operation -20°C to +65°C

Humidity 5 to 90%

EMC

Complies with FCC Class B

Complies with EN55032 Class B

Input Connector

IEC320 inlet 3 pin

Isolation Test

Primary to Secondary:

4242VDC for 1 minute 10mA

Primary to Field Ground:

2121VDC for 1 minute

Immunity

ESD: IEC61000-4-2 Level 3

RS: IEC61000-4-3 Level 3

EFT: IEC61000-4-4 Level 2

Surge: IEC61000-4-5 Level 3

CS: IEC61000-4-6 Level 2

Voltage Dips IEC61000-4-11

Harmonic: IEC61000-3-2 Class A

Insulation Resistance

Primary to Secondary: >10M OHM 500VDC

Primary to Field Ground: >10M OHM

500VDC

FEATURES:**Over Current Protection**

Output #1(OUT) <1000mA

Output #2(OUT) <1000mA

Output #1 and #2 combined(OUT) <2000mA

Over Voltage Protection

Meets UL requirements

Short Circuit Protection

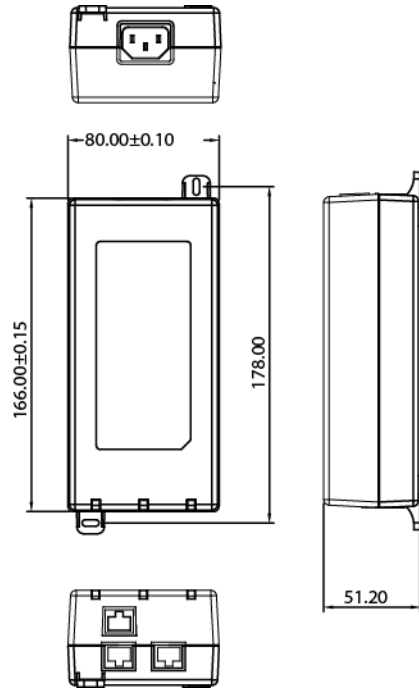
The output can be shorted permanently

without damage

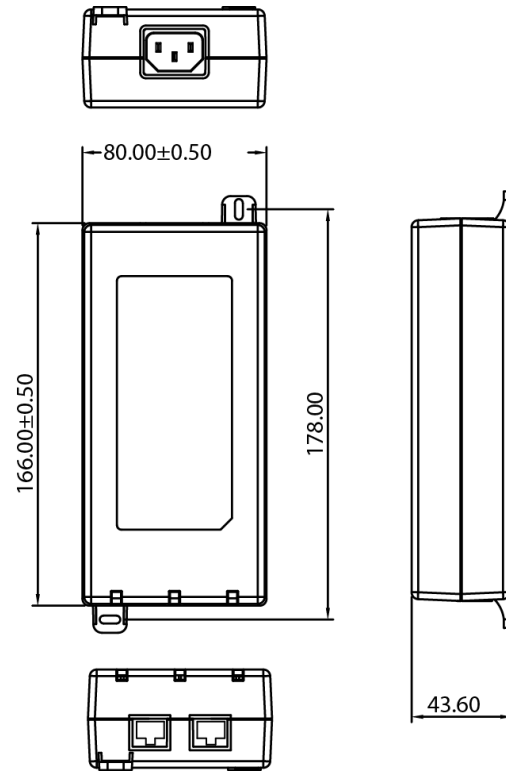
LED Indicators*No LED* - Power failure*Green LED short Blinking* - POE power ready but no connection*Green LED solid* - POE output power good*Green/Red LED alternate short blinking* - POE detection failure*Green LED short/Red long blinking* - POE output over power or short**Output Connection**

+pins 3,6,4,5 / -pins 1,2,7,8

Case as featured with the SNMP Management option



Case without the SNMP Management Option



Supplier's Declaration of Conformity
47 CFR § 2.1077 Compliance Information

Phihong USA Corporation
47800 Fremont Boulevard
Fremont, CA 94538
Telephone: (510) 445-0100
www.phihong.com

NOTE: This model has/The models in this products series have been tested and found to comply with the limits for a Class B digital device, pursuant to part 15 of the FCC Rules. These limits are designed to provide reasonable protection against harmful interference in a residential installation. This equipment generates, uses and can radiate radio frequency energy and, if not installed and used in accordance with the instructions, may cause harmful interference to radio communications. However, there is no guarantee that interference will not occur in a particular installation. If this equipment does cause harmful interference to radio or television reception, which can be determined by turning the equipment off and on, the user is encouraged to try to correct the interference by one or more of the following measures:

- Reorient or relocate the receiving antenna.
- Increase the separation between the equipment and receiver.
- Connect the equipment into an outlet on a circuit different from that to which the receiver is connected.
- Consult the dealer or an experienced radio/TV technician for help.

Changes or modifications to equipment not expressly approved by PHIHONG could void the user's authority to operate the equipment.