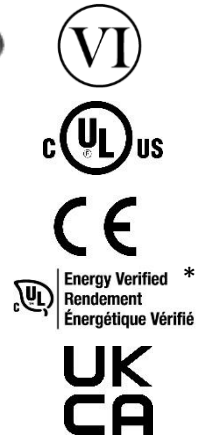




18W Desktop C6 Adapter Series



Features

- DOE Level VI Efficiency Compliant
- ErP/Ecodesign Directive 2009/125/EC – Regulation EU 2019/1782 Compliant
- EU CoC Tier 2 Compliant (except 5V, 5.9V, 10V, 11V models)
- Over Voltage, Short Circuit and Over Current Protection
- Non-Vented/Spill-Proof Case
- Class B EMI

Applications

- Networking
- Peripherals
- Consumer Electronics

*NRCan approval for PPL18M-050L6, PPL18M-060L6, PPL18M-090, PPL18M-120, PPL18M-150, PPL18M-180, PPL18M-240 models only

Phihong Taiwan - No.568, Fuxing 3rd Rd., Guishan Dist., Taoyuan City (33383), Taiwan, ROC

Phihong USA - 47800 Fremont Blvd. Fremont, CA 94538, USA

Phihong Europe - Wattstraat 50, 2171 TR Sassenheim, The Netherlands



PPL18M Series Specifications¹

| Model | | PPL18M-050L6 [*] | PPL18M-060L6 [*] | PPL18M-070 | PPL18M-075 |
|--------------------------|---|---|---------------------------|------------|------------|
| Output | DC Output Voltage | 5.0V | 5.9V | 7.0V | 7.5V |
| | Max Current | 3.0A | 3.0A | 2.5A | 2.5A |
| | Output Power | 15.0W | 17.7W | 17.5W | 18.75W |
| | Regulation | ± 6% | -3.4/+6.8% | ± 5% | ± 5% |
| | Ripple & Noise P-P(max) ² | 100mV | 100mV | 100mV | 100mV |
| Input | AC Input Voltage Range | 90 to 264VAC | | | |
| | AC Input Frequency | 47 to 63Hz | | | |
| | Input Current | 0.48A max | | | |
| | Inrush Current | 50A max., 100VAC; 60A max., 230VAC | | | |
| | No Load Power Consumption at 115VAC Input | 0.035W | 0.045W | 0.040W | 0.043W |
| | No Load Power Consumption at 230VAC Input | 0.051W | 0.056W | 0.047W | 0.053W |
| | 115VAC Average Efficiency ³ | 82.0% | 82.6% | 86.1% | 86.3% |
| | 230VAC Average Efficiency ³ | 81.8% | 83.3% | 86.1% | 86.4% |
| | 230VAC 10% Load Efficiency ³ | 76.0% | 76.5% | 83.5% | 83.4% |
| | Leakage Current | <3.5A | | | |
| Protection | Over-Voltage | 12V max | 12V max | 16V max | 16V max |
| | Short Circuit | Auto-recover after short-circuit fault is removed | | | |
| | Over-Current | 7A max | 6A max | 6A max | 6A max |
| Environmental | Operating Temperature | 0°C to +40°C | | | |
| | Non-Operating Temperature | -20° to +80°C | | | |
| | Operating Humidity | 20 to +80% | | | |
| Safety Approvals and EMC | Dielectric Withstand (HI-POT) | Primary to Secondary: 3000VAC for 1min, 10mA | | | |
| | Insulation Resistance | Primary to Secondary: 10M ohm for 500VDC | | | |
| | Standards | cULus 62368-1, IEC 62368-1 | | | |
| | EMI Emissions | FCC Part 15 Class B, CAN ICES-003(B)/NMB-003(B), EN 55032/CISPR 32 Class B Conducted and Radiated | | | |
| | Harmonic Current Emissions | IEC 61000-3-2 | | | |
| | Voltage Fluctuations & Flicker | IEC 61000-3-3 | | | |
| | Immunity | EN 55024/CISPR 24: IEC 61000-4-2, IEC 61000-4-3, IEC 61000-4-4, IEC 61000-4-5, IEC 61000-4-6, IEC 61000-4-8, IEC 61000-4-11 | | | |
| Mechanical | Dimensions (L x W x H) | 100mm (3.94in) x 50mm (1.97in) x 33mm (1.3in) | | | |
| | Weight | 170g | | | |
| | Cable Length | 1500mm | | | |
| | DC Cable Type | 18 AWG | 18 AWG | 18 AWG | 18 AWG |
| | DC Output Connector | 2.1mm x 5.5mm x 10.0mm | | | |
| | DC Plug Pin Assignment | Inner (V+) / Outer GND (V-) | | | |
| | Input Connector | IEC 60320 C6 | | | |

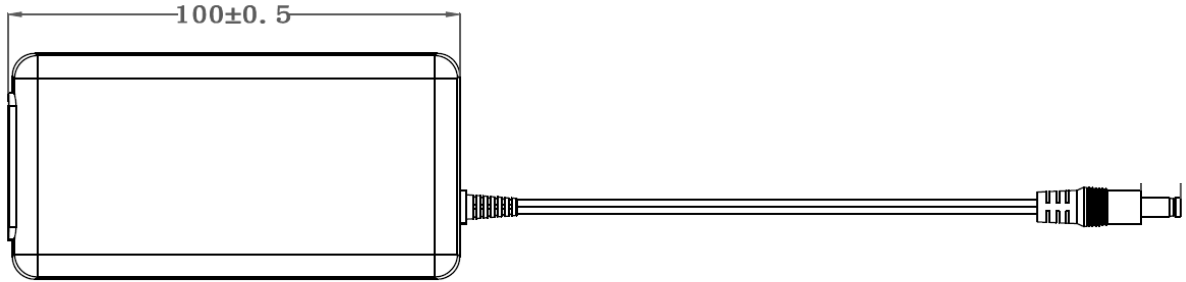
| Model | | PPL18M-090* | PPL18M-100L6 | PPL18M-110L6 | PPL18M-120* |
|--------------------------|---|---|--------------|--------------|-------------|
| Output | DC Output Voltage | 9.0V | 10.0V | 11.0V | 12.0V |
| | Max Current | 2.2A | 1.9V | 1.6A | 1.6A |
| | Output Power | 19.8W | 19.0W | 17.6W | 19.2W |
| | Regulation | ± 5% | ± 5% | ± 5% | ± 5% |
| | Ripple & Noise P-P(max) ² | 100mV | 100mV | 110mV | 120mV |
| Input | AC Input Voltage Range | 90 to 264VAC | | | |
| | AC Input Frequency | 47 to 63Hz | | | |
| | Input Current | 0.48A max | | | |
| | Inrush Current | 50A max., 100VAC; 60A max., 230VAC | | | |
| | No Load Power Consumption at 115VAC Input | 0.039W | 0.038W | 0.041W | 0.045W |
| | No Load Power Consumption at 230VAC Input | 0.055W | 0.067W | 0.065W | 0.064W |
| | 115VAC Average Efficiency ³ | 86.3% | 86.2% | 85.8% | 86.2% |
| | 230VAC Average Efficiency ³ | 86.7% | 85.7% | 85.6% | 86.4% |
| | 230VAC 10% Load Efficiency ³ | 80.3% | 82.0% | 81.0% | 80.3% |
| | Leakage Current | <3.5A | | | |
| Protection | Over-Voltage | 16V max | 22V max | 22V max | 22V max |
| | Short Circuit | Auto-recover after short-circuit fault is removed | | | |
| | Over-Current | 5A max | 5A max | 5A max | 5A max |
| Environmental | Operating Temperature | 0°C to +40°C | | | |
| | Non-Operating Temperature | -20° to +80°C | | | |
| | Operating Humidity | 20 to +80% | | | |
| Safety Approvals and EMC | Dielectric Withstand (HI-POT) | Primary to Secondary: 3000VAC for 1min, 10mA | | | |
| | Insulation Resistance | Primary to Secondary: 10M ohm for 500VDC | | | |
| | Standards | cULus 62368-1, IEC 62368-1 | | | |
| | EMI Emissions | FCC Part 15 Class B, CAN ICES-003(B)/NMB-003(B), EN 55032/CISPR 32 Class B Conducted and Radiated | | | |
| | Harmonic Current Emissions | IEC 61000-3-2 | | | |
| | Voltage Fluctuations & Flicker | IEC 61000-3-3 | | | |
| | Immunity | EN 55024/CISPR 24: IEC 61000-4-2, IEC 61000-4-3, IEC 61000-4-4, IEC 61000-4-5, IEC 61000-4-6, IEC 61000-4-8, IEC 61000-4-11 | | | |
| Mechanical | Dimensions (L x W x H) | 100mm (3.94in) x 50mm (1.97in) x 33mm (1.3in) | | | |
| | Weight | 170g | | | |
| | Cable Length | 1500mm | | | |
| | DC Cable Type | 18 AWG | 22 AWG | 22 AWG | 20 AWG |
| | DC Output Connector | 2.1mm x 5.5mm x 10.0mm | | | |
| | DC Plug Pin Assignment | Inner (V+) / Outer GND (V-) | | | |
| | Input Connector | IEC 60320 C6 | | | |

| Model | | PPL18M-150 [†] | PPL18M-160 | PPL18M-180 [†] | PPL18M-240* |
|--------------------------|--|---|------------|-------------------------|-------------|
| Output | DC Output Voltage | 15.0V | 16.0V | 18.0V | 24.0V |
| | Max Current | 1.3A | 1.2A | 1.1A | 0.8A |
| | Output Power | 19.5W | 19.2W | 19.8W | 19.2W |
| | Regulation | ± 5% | ± 5% | ± 5% | ± 5% |
| | Ripple & Noise P-P(max) ² | 150mV | 160mV | 180mV | 240mV |
| Input | AC Input Voltage Range | 90 to 264VAC | | | |
| | AC Input Frequency | 47 to 63Hz | | | |
| | Input Current | 0.48A max | | | |
| | Inrush Current | 50A max., 100VAC; 60A max., 230VAC | | | |
| | No Load Power Consumption at 115VAC Input | 0.036W | 0.035W | 0.045W | 0.036W |
| | No Load Power Consumption at 230VAC Input | 0.055W | 0.066W | 0.064W | 0.057W |
| | 115VAC Average Efficiency ³ | 87.4% | 87.8% | 88.1% | 88.9% |
| | 230VAC Average Efficiency ³ | 87.1% | 87.4% | 88.4% | 88.7% |
| | 230VAC 10% Load Efficiency ³ | 82.7% | 82.5% | 81.9% | 81.8% |
| | Leakage Current | <3.5A | | | |
| Protection | Over-Voltage | 32V max | 32V max | 32V max | 45V max |
| | Short Circuit | Auto-recover after short-circuit fault is removed | | | |
| | Over-Current | 4A max | 4A max | 4A max | 2.5A max |
| Environmental | Operating Temperature | 0°C to +40°C | | | |
| | Non-Operating Temperature | -20° to +80°C | | | |
| | Operating Humidity | 20 to +80% | | | |
| Safety Approvals and EMC | Dielectric Withstand (HI-POT) | Primary to Secondary: 3000VAC for 1min, 10mA | | | |
| | Insulation Resistance | Primary to Secondary: 10M ohm for 500VDC | | | |
| | Standards | cULus 62368-1, IEC 62368-1 | | | |
| | EMI Emissions | FCC Part 15 Class B, CAN ICES-003(B)/NMB-003(B), EN 55032/CISPR 32 Class B Conducted and Radiated | | | |
| | Harmonic Current Emissions | IEC 61000-3-2 | | | |
| | Voltage Fluctuations & Flicker | IEC 61000-3-3 | | | |
| | Immunity | EN 55024/CISPR 24: IEC 61000-4-2, IEC 61000-4-3, IEC 61000-4-4, IEC 61000-4-5, IEC 61000-4-6, IEC 61000-4-8, IEC 61000-4-11 | | | |
| Mechanical | Dimensions (L x W x H) | 100mm (3.94in) x 50mm (1.97in) x 33mm (1.3in) | | | |
| | Weight | 170g | | | |
| | Cable Length | 1500mm | | | |
| | DC Cable Type | 22 AWG | 22 AWG | 22 AWG | 22 AWG |
| | DC Output Connector | 2.1mm x 5.5mm x 10.0mm | | | |
| | DC Plug Pin Assignment | Inner (V+) / Outer GND (V-) | | | |
| | Input Connector | IEC 60320 C6 | | | |
| Notes | <ol style="list-style-type: none"> The specifications defined are at ambient temperature of 25C, unless otherwise specified. 20MHz bandwidth frequency oscilloscope, add a 0.1µF multilayer Cap. and Low ESR Electrolytic Cap. (10µF) at output connector terminals (nominal line voltage, full load). Efficiency is measured after 30 minutes burn-in. | | | | |

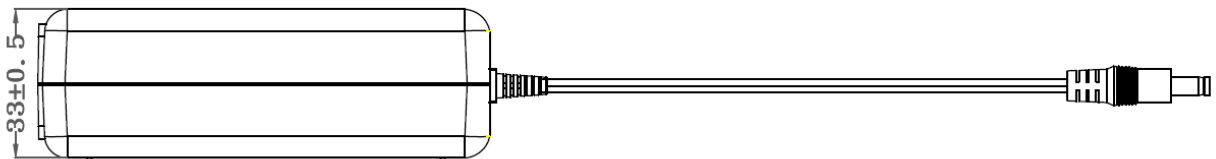
*NRCan approval for PPL18M-050L6, PPL18M-060L6, PPL18M-090, PPL18M-120, PPL18M-150, PPL18M-180, PPL18M-240 models only



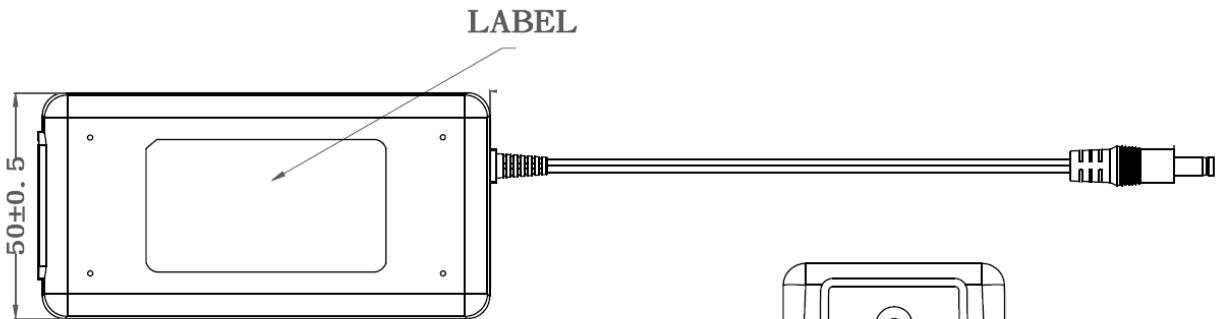
PPL18M Outline Drawing



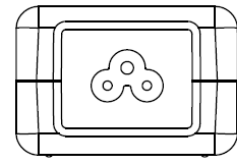
TOP VIEW



SIDE VIEW



BOTTOM VIEW



FRONT-VIEW




**Supplier's Declaration of Conformity
47 CFR § 2.1077 Compliance Information**

Phihong USA Corporation
47800 Fremont Boulevard
Fremont, CA 94538
Telephone: (510) 445-0100
www.phihong.com

This device complies with/The devices in this product series comply with part 15 of the FCC Rules. Operation is subject to the following two conditions: (1) This device may not cause harmful interference, and (2) this device must accept any interference received, including interference that may cause undesired operation.



PPL18M Line Cords Sold Separately

| Model | | AC30MNA-R |
|------------------|-----------------|--|
| Specifications | Plug Type | North America NEMA 5-15P |
| | Connector | IEC320 C6 |
| | Wire Size | 18 AWG |
| | Temperature | 60°C |
| | Amperage Rating | 7A |
| | Voltage Rating | 125V |
| | Cable Length | 1829mm |
| Safety Approvals | | CSA; UL |
| Photos | |  |



PPL18M Line Cords Outline Drawings

