



2.75W F-Series Interchangeable Plug Adapter



Features

- Folding Blades
- 10mm Thick with Blades Folded
- DOE Level VI Efficiency Compliant
- Interchangeable Clips (sold separately)

Applications

- Mobile Phones
- PDAs
- Personal Electronics
- Digital Cameras

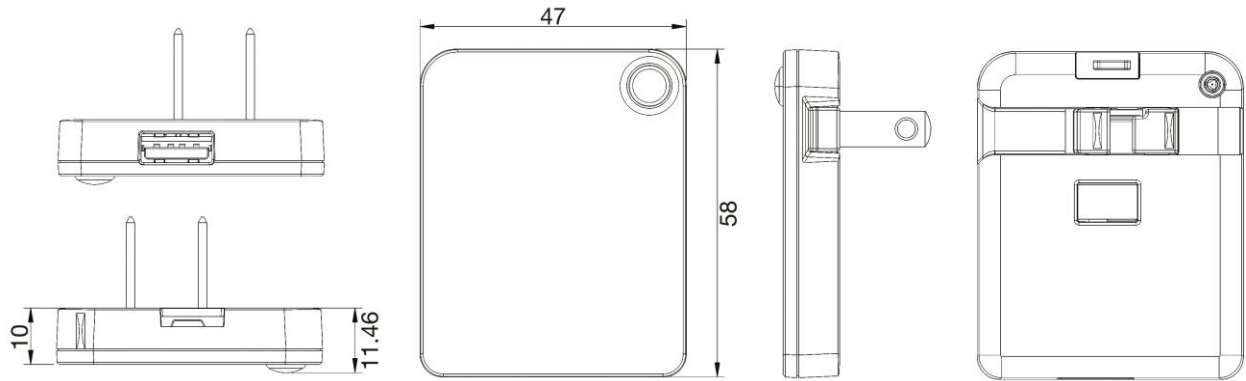


PSA03F Specifications¹

Model		PSA03F-050Q1-R ²
Output	DC Output Voltage	5.0V
	Max Current	0.55A
	Output Power	2.75W
	Regulation	± 5%
	Ripple & Noise P-P(max) ³	100mV
Input	AC Input Voltage Range	90 to 264VAC
	AC Input Frequency	47 to 63Hz
	Input Current	0.15A RMS max
	No Load Power Consumption at 115VAC Input	0.018W
	No Load Power Consumption at 230VAC Input	0.029W
	115VAC Average Efficiency ⁴	70.97%
	230VAC Average Efficiency ⁴	70.47%
	Leakage Current	20uA max at 240VAC
Protection	Over-Voltage	6.5VDC max. Auto-restart
	Short Circuit	Auto-restart
Environmental	Operating Temperature	0°C to +40°C
	Non-Operating Temperature	-40° to +85°C
	Operating Humidity	50 to +90%
Safety Approvals and EMC	Dielectric Withstand (HI-POT)	Primary to Secondary: 3000VAC for 1min, 10mA
	Insulation Resistance	DC 500V, >7M ohm
	Standards	cULus 60950-1, IEC 60950-1
	EMI Emissions	FCC Part 15 Class B, CAN ICES-003(B)/NMB-003(B), EN 55022/CISPR 22 Class B Conducted and Radiated
	Harmonic Current Emissions	IEC 61000-3-2
	Voltage Fluctuations & Flicker	IEC 61000-3-3
	Immunity	EN 55024/CISPR 24: IEC 61000-4-2 (+/- 8kV air, +/- 4kV contact), IEC 61000-4-3, IEC 61000-4-4, IEC 61000-4-5 (+/- 1kV), IEC 61000-4-6, IEC 61000-4-8, IEC 61000-4-11
Mechanical	Dimensions (L x W x H)	58.0mm (2.28in) x 47.0mm (1.85in) x 11.46mm (0.45in)
	Weight	25g
	AC Input	US fixed blade folding prong
	DC Output Connector	USB A
Notes	<ol style="list-style-type: none"> The specifications defined are at ambient temperature of 25°C, unless otherwise specified. Not recommended for new designs (NRND). Minimum quantity order applies. 20MHz bandwidth frequency oscilloscope, add a 0.1µF multilayer Cap. and Low ESR Electrolytic Cap. (10µF) at output connector terminals (nominal line voltage, full load). Efficiency is measured after 30 minutes burn-in. 	



PSA03F Outline Drawing






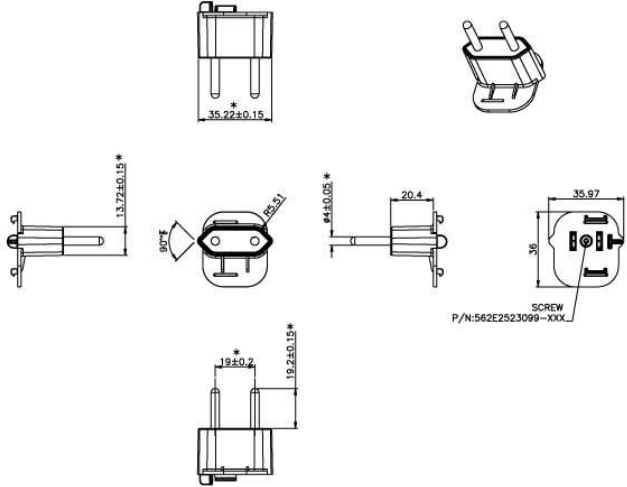

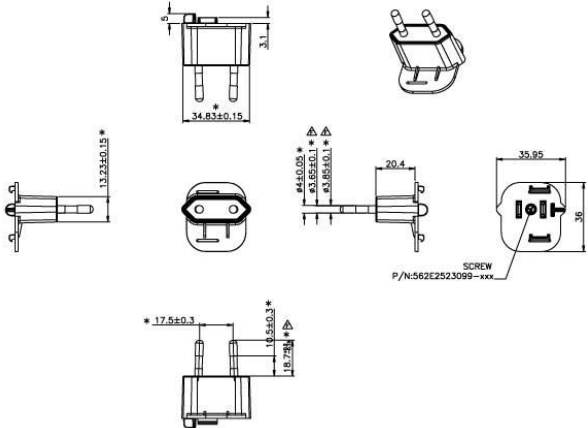

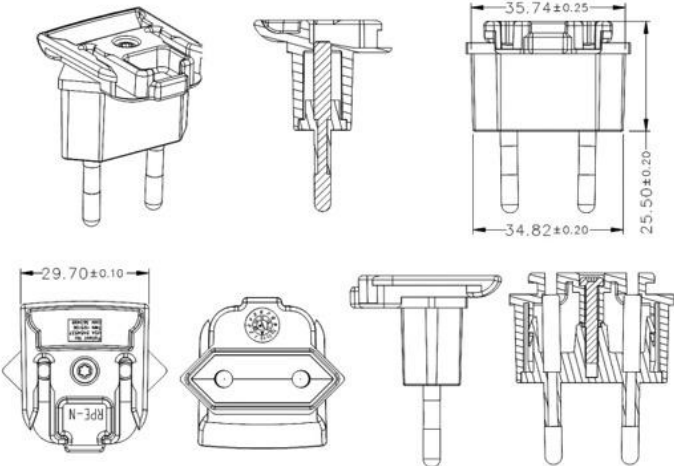
**Supplier's Declaration of Conformity
47 CFR § 2.1077 Compliance Information**


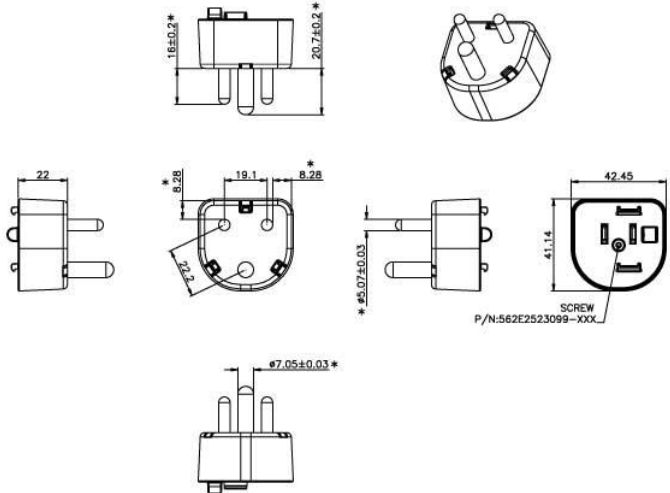

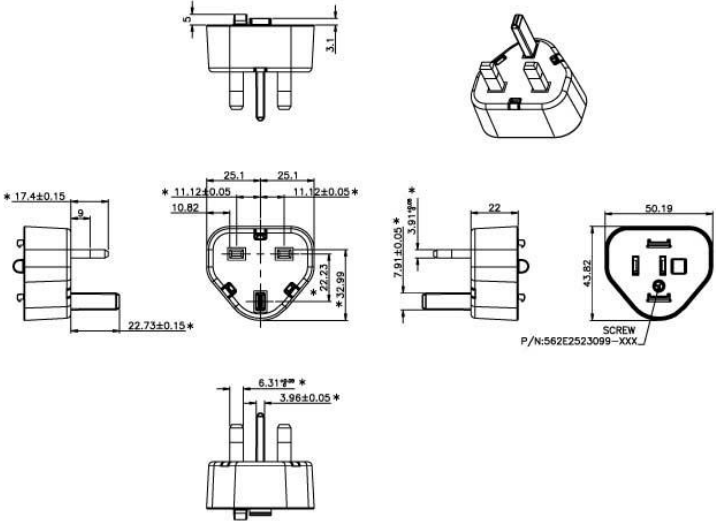

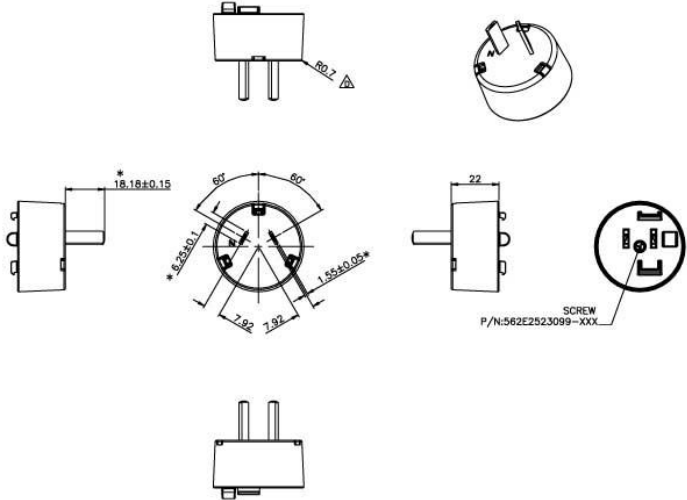
Phihong USA Corporation
47800 Fremont Boulevard
Fremont, CA 94538
Telephone: (510) 445-0100
www.phihong.com

This device complies with/The devices in this product series comply with part 15 of the FCC Rules. Operation is subject to the following two conditions: (1) This device may not cause harmful interference, and (2) this device must accept any interference received, including interference that may cause undesired operation.



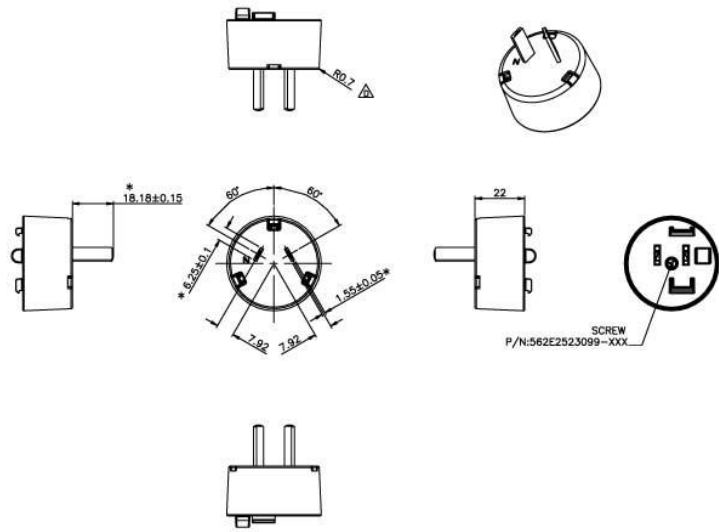
AC Input Clips - Sold Separately

<p>FPB-H – BRAZIL CLIP</p> 	<p>Dimension Drawing Unit: mm</p> 
<p>FPE-H – EUROPE CLIP</p> 	<p>Dimension Drawing Unit: mm</p> 
<p>FPH-H – KOREA CLIP</p> 	<p>Dimension Drawing Unit: mm</p> 

<p>FPI-H – INDIA CLIP</p> 	<p>Dimension Drawing Unit: mm</p> 
<p>FPK-H – UK CLIP</p> 	<p>Dimension Drawing Unit: mm</p> 
<p>FPN-H – ARGENTINA CLIP</p> 	<p>Dimension Drawing Unit: mm</p> 

FPS-H – AUSTRALIA CLIP

Dimension Drawing Unit: mm





USB Cables – Sold Separately

Unit: mm

Part no: IP-USB1(C10)S	Desc: USB-A to Micro-B – 1 Meter – Black
Part no: IPUSB1CS	Desc: USB to Mini-B – 1.5 Meter – Black
Part no: IPUSB1MS	Desc: USB-A to Micro-B – 1.5 Meter – Black
Part no: IPUSB1M5LD	Desc: USB-A to Micro-B – 24AWG – Low Drop – 1.5 Meter – Black
Part no: IPUSB1P5	Desc: USB-A to Micro-B – 1 Meter – 24AWG – Black
Part no: IPUSB1P5W	Desc: USB-A to Micro-B – 1 Meter – 24AWG – White

Part no: IPUSB1MSW	Desc: USB-A to Micro-B – 1.5 Meter – White
Part no: UES-1001A160	Desc: Low Drop Type-C USB Cable – 1 Meter – 23AWG on Power – 30AWG on Data - Black
Part no: UES-1003A160	Desc: Low Drop Type-C USB Cable - 1 Meter – 23AWG on Power – 30AWG on Data - White