



5W Fixed Blade USB Charger – AU/NZ



Features

- Fixed Blade
- Halogen Free
- Low Profile
- Low Cost
- Halogen Free
- Australian and New Zealand MEPS (Minimum Energy Performance Standards) Compliance
 - AS/NZS 4665.1:2005 + A1:2009
 - AS/NZS 4665.2:2005 + A1:2009

Applications

- Smart Phones
- PDAs
- Personal Electronics
- Digital Cameras

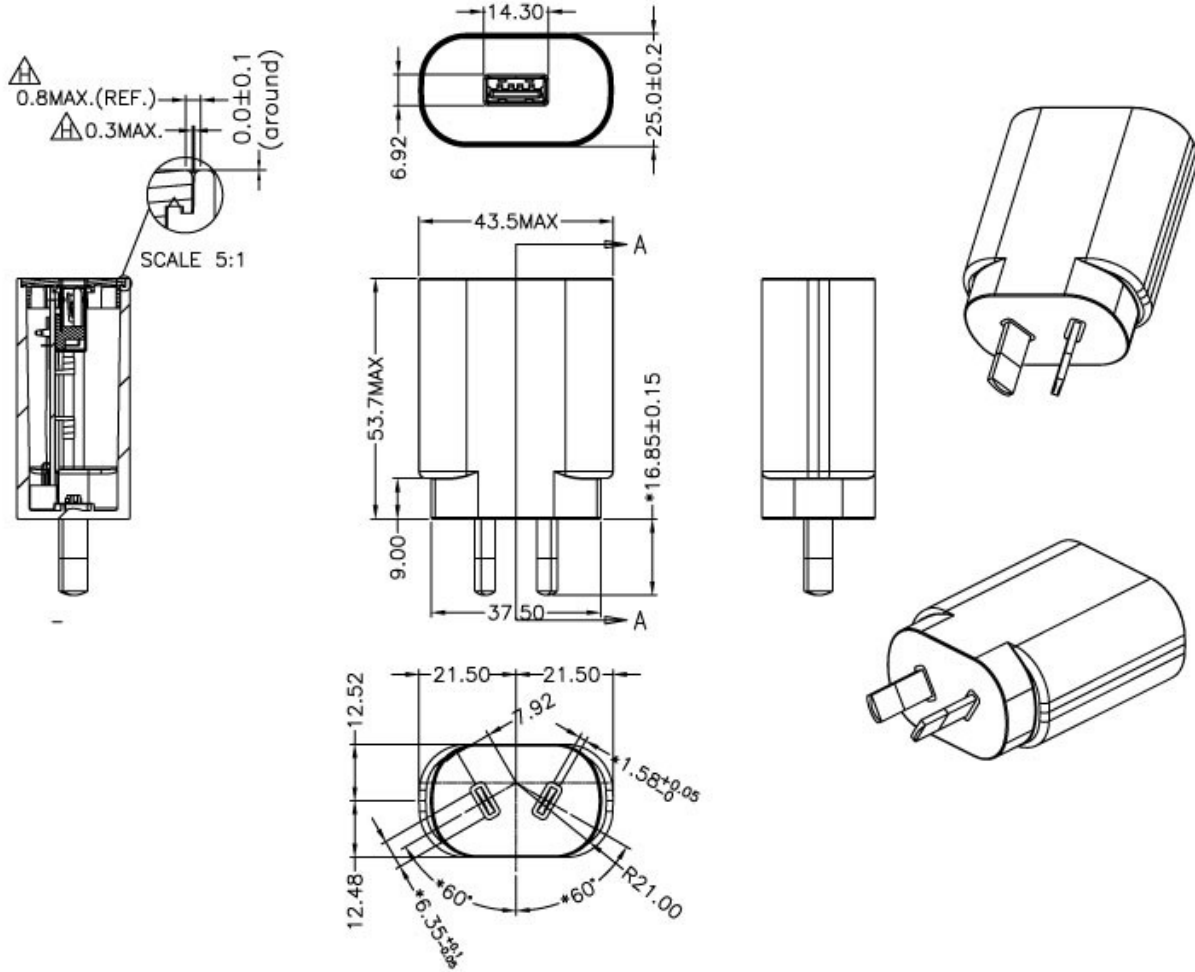


PSA05S Specifications¹

Model		PSA05S-050QL6-H ²	PSA05S-050QL6WS-H ²
Output	DC Output Voltage	5.0V	
	Max Current	1.0A	
	Output Power	5.0W	
	Regulation	± 5%	
	Ripple & Noise P-P(max) ³	200mV	
Input	AC Input Voltage Range	90 to 264VAC	
	AC Input Frequency	47 to 63Hz	
	Input Current	0.15A(RMS) max	
	No Load Power Consumption at 115VAC Input	0.02W	
	No Load Power Consumption at 230VAC Input	0.023W	
	115VAC Average Efficiency ⁴	78.00%	
	230VAC Average Efficiency ⁴	75.06%	
	Leakage Current	5uA max	
Protection	Over-Voltage	7.0V max	
	Short Circuit	Auto restart	
	Over-Current	1.5A max	
Environmental	Operating Temperature	0°C to +40°C	
	Non-Operating Temperature	-40° to +85°C	
	Operating Humidity	90% RH max	
Safety Approvals and EMC	Dielectric Withstand (HI-POT)	Primary to Secondary: 3000VAC for 1min, 10mA	
	Insulation Resistance	Primary to Secondary: 10M ohm for 500VDC	
	Standards	IEC 62368-1, AS/NZS 62368.1:2018	
	EMI Emissions	EN 55032/CISPR 32 Class B Conducted and Radiated	
	Harmonic Current Emissions	IEC 61000-3-2	
	Voltage Fluctuations & Flicker	IEC 61000-3-3	
	Immunity	EN 55024/CISPR 24: IEC 61000-4-2 (Contact:+/- 4KV, Air:+/- 8KV), IEC 61000-4-3, IEC 61000-4-4, IEC 61000-4-5 (+/- 1kV), IEC 61000-4-6, IEC 61000-4-8, IEC 61000-4-11	
Mechanical	Dimensions (L x W x H)	70.6mm (2.78in) x 43.5mm (1.71in) x 25.0mm (0.98in)	
	DC Output Connector	USB-A	
	Case Color	Black	White
Notes	<ol style="list-style-type: none"> The specifications defined are at ambient temperature of 25C, unless otherwise specified. Special order item. Minimum order quantity applies. 20MHz bandwidth frequency oscilloscope, add a 0.1µF multilayer Cap. and Low ESR Electrolytic Cap. (10µF) at output connector terminals (nominal line voltage, full load). Efficiency is measured after 30 minutes burn-in. 		



PSA05S Outline Drawing

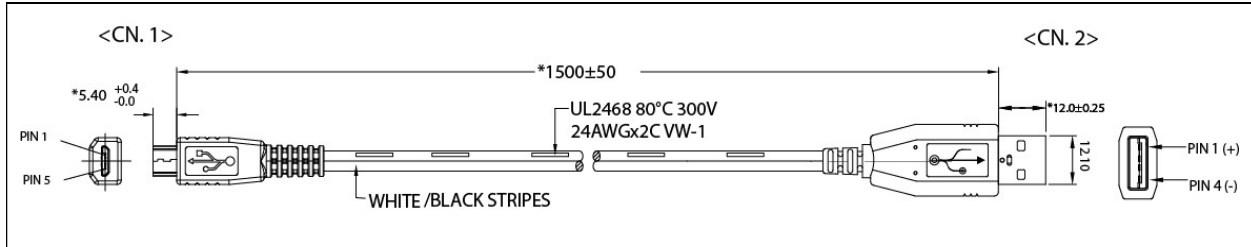




USB Cables – Sold Separately

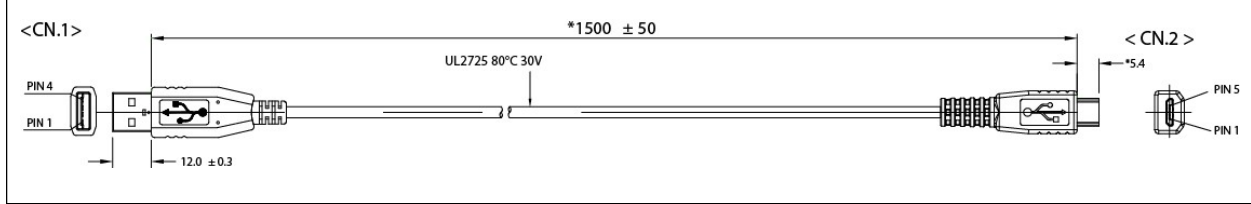
Unit: mm

Part no: IP-USB1(C10)S	Desc: USB-A to Micro-B – 1 Meter – Black
Part no: IPUSB1CS	Desc: USB to Mini-B – 1.5 Meter – Black
Part no: IPUSB1MS	Desc: USB-A to Micro-B – 1.5 Meter – Black
Part no: IPUSB1M5LD	Desc: USB-A to Micro-B – 24AWG – Low Drop – 1.5 Meter – Black
Part no: IPUSB1P5	Desc: USB-A to Micro-B – 1 Meter – 24AWG – Black
Part no: IPUSB1P5W	Desc: USB-A to Micro-B – 1 Meter – 24AWG – White



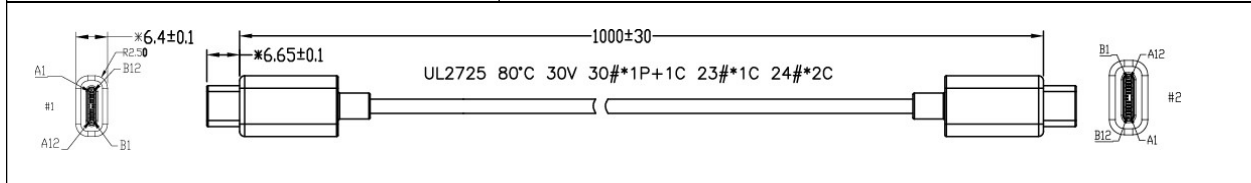
Part no: IPUSB1MSW

Desc: USB-A to Micro-B – 1.5 Meter – White



Part no: UES-1001A160

Desc: Low Drop Type-C USB Cable – 1 Meter – 23AWG on Power – 30AWG on Data - Black



Part no: UES-1003A160

Desc: Low Drop Type-C USB Cable - 1 Meter – 23AWG on Power – 30AWG on Data - White

