



10W Fixed Prong USB Adapter - AUS

Features

- Fixed Input Prong Design
- Energy Efficient Design
- USB A Receptacle

Applications

- Tablets
- Personal Electronics
- Networking Equipment
- Peripherals



PRELIMINARY

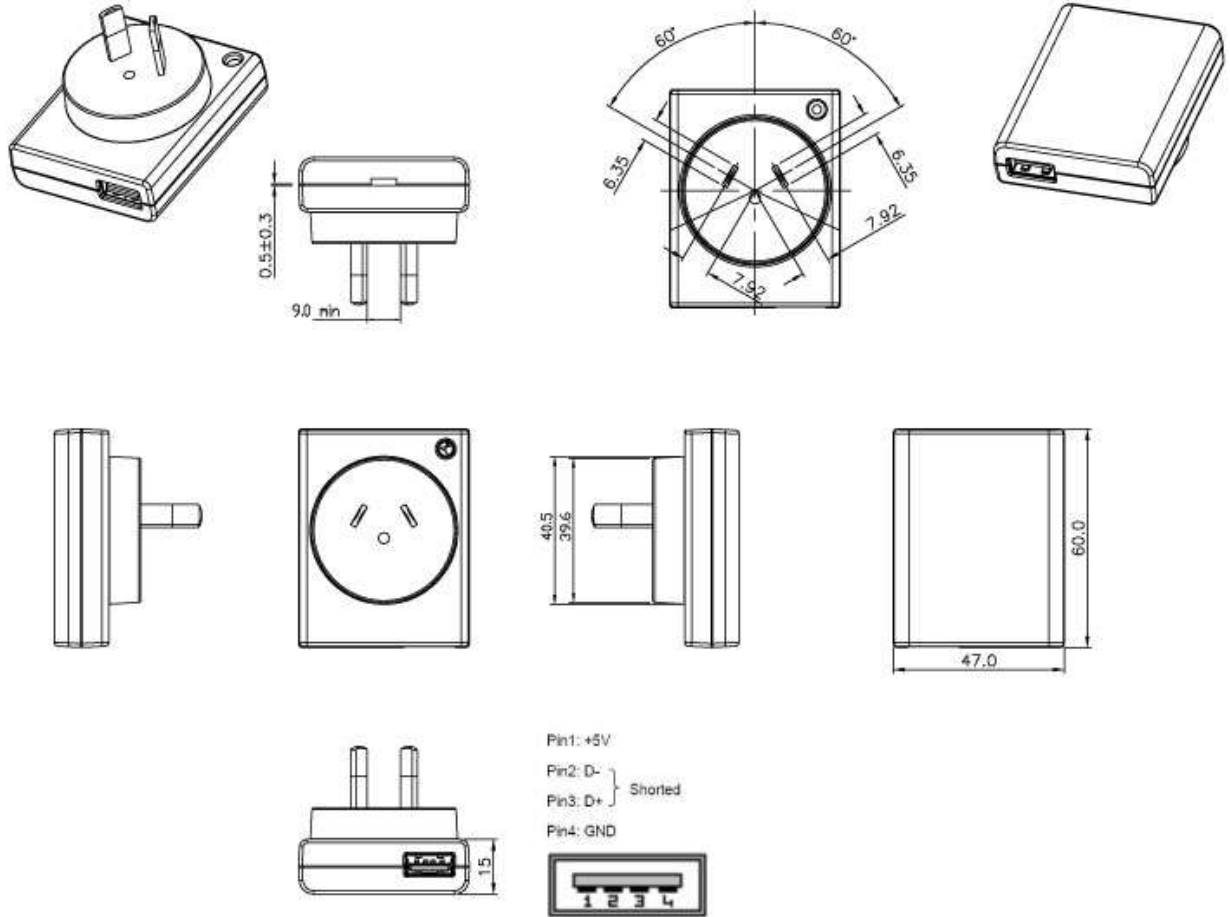


PSA10FS-050Q-R Specifications¹

Model		PSA10FS-050Q-R
Output	DC Output Voltage	5.0V
	Max Current	2.0A
	Output Power	10.0W
	Regulation	± 5%
	Ripple & Noise P-P(max) ²	200mV
Input	AC Input Voltage Range	90 to 264VAC
	AC Input Frequency	47 to 63Hz
	Input Current	0.3A RMS max @120VAC, 0.15A RMS max @240VAC
	Inrush Current	60A max. at 240VAC
	No Load Power Consumption at 115VAC Input	0.064W
	No Load Power Consumption at 230VAC Input	0.076W
	115VAC Average Efficiency ³	80.94%
	230VAC Average Efficiency ³	80.21%
	230VAC 10% Load Efficiency ³	72.06%
	Leakage Current	100uA max at 240VAC
Protection	Over-Voltage	6.3VDC max. Auto-restart
	Short Circuit	Must withstand continuous short circuit
	Over-Current	2.5A when < 3V, Auto-restart
Environmental	Operating Temperature	0°C to +40°C
	Non-Operating Temperature	-40° to +85°C
	Operating Humidity	10 to +90% Relative Humidity
Safety Approvals and EMC	Dielectric Withstand (HI-POT)	Primary to Secondary: 3000VAC for 1min, 10mA
	Insulation Resistance	DC 500V, >7M ohm
	Standards	IEC 62368-1
	EMI Emissions	EN 55032/CISPR 32 Class B Conducted and Radiated
	Harmonic Current Emissions	IEC 61000-3-2
	Voltage Fluctuations & Flicker	IEC 61000-3-3
	Immunity	EN 55024/CISPR 24: IEC 61000-4-2 (+/- 8kV air, +/- 4kV contact), IEC 61000-4-3, IEC 61000-4-4, IEC 61000-4-5 (+/- 1kV), IEC 61000-4-6, IEC 61000-4-8, IEC 61000-4-11
Mechanical	Dimensions (L x W x H)	60.0mm (2.36in) x 47.0mm (1.85in) x 40.6mm (1.60in)
	Weight	40.0g
	AC Input	AS/NZS fixed blade
	DC Output Connector	USB-A
Notes	<ol style="list-style-type: none"> The specifications defined are at ambient temperature of 25°C, unless otherwise specified. 20MHz bandwidth frequency oscilloscope, add a 0.1µF multilayer Cap. and Low ESR Electrolytic Cap. (10µF) at output connector terminals (nominal line voltage, full load). Efficiency is measured after 30 minutes burn-in. 	



PSA10FS-050Q-R Outline Drawing



PREL