



12W Wall Plug Adapter Meets EISA and Ecodesign Requirements



Features

- Double Insulated
- Class B EMI
- Ecodesign ErP Directive 2009/125/EC level 2 annex 1b Compliant
- Less Than 0.3W No-Load Current
- Over-Voltage Protection
- Efficiency Level V Compliance

Applications

- Wireless Communications
- Networking
- Portable Equipment
- Peripherals

Safety Approvals

- cUL/UL (A-Model)
- BSMI (A-Model)
- TÜV (E-Model)
- CE (E-Model)

Mechanical Characteristics

- Length: 71.5mm (2.81in)
- Width: 33.75mm (1.33in)
- Height: 46mm (1.81in)
- Weight: 85g (3.00oz)

Output Specifications

Model ⁽¹⁾	DC Output Voltage	Load		Ripple ⁽²⁾ P-P (max.)	Regulation Line & Load
		Min.	Max.		
PSA12E-120-R	12V	0A	1.0A	240mV	±5%

Notes:

- (1) Minimum order requirement of 2500 pieces
- (2) Measured with an oscilloscope with 20MHz (or over) Bandwidth. Outputs should be bypassed at a connector with a 0.1uF ceramic capacitor and a 10uF electrolytic capacitor.

Phihong is not responsible for any error, and reserves the right to make changes without notice. Please visit our website at www.phihong.com for the most up-to-date specifications and contact information.

Input:**AC Input Voltage Rating**

100 to 240 V AC

AC Input Voltage Range

90 to 264V AC

AC Input Frequency

50 to 60Hz

Input Current

0.5A (RMS) maximum at 120V AC

0.25A (RMS) maximum at 240V AC

Leakage Current

0.25A maximum at 264V AC

Inrush Current

30A for 120V AC at maximum load

60A for 230V AC at maximum load

Input Power Saving

<0.3W maximum at no load

Output:**Efficiency**

77.76% minimum average efficiency

Hold-up Time

10mS minim at 120V AC and maximum load

Over-Voltage Protection

Output voltage shall not exceed 20V

Short-Circuit Protection

Protected against short circuit. Continuous short circuit will not produce fire, smoke or excessive heat

Environmental:**Temperature**

Operation 0 to +40°C

Non-operation -40 to +80°C

Humidity 10 to 90%

Emissions

Complies with FCC Class B

Complies with EN55032 Class B

Immunity

EN50082-1: (EN55024)

EN61000-4-2 Level 4

EN61000-4-5 Level 3

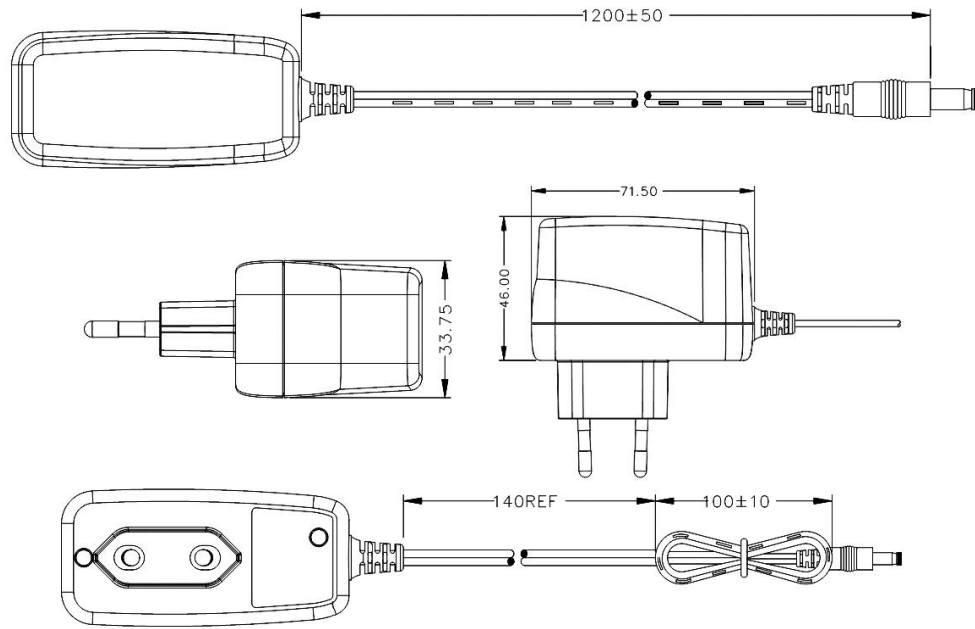
Dielectric Withstand (Hi-pot) TestPrimary to Secondary: 3000V AC for 1 min.,
10mA**DC Output Connector**

2.1 x 5.5mm Center Positive Standard

Mating Connector

Kycon KLD-0202-A or equivalent

Dimension Diagram Unit: mm – PSA12E-120-R



Supplier's Declaration of Conformity
47 CFR § 2.1077 Compliance Information

Phihong USA Corporation
47800 Fremont Boulevard
Fremont, CA 94538
Telephone: (510) 445-0100
www.phihong.com

The models in this product series have been tested and found to comply with the limits for a Class B digital device, pursuant to part 15 of the FCC Rules. These limits are designed to provide reasonable protection against harmful interference in a residential installation. This equipment generates, uses and can radiate radio frequency energy and, if not installed and used in accordance with the instructions, may cause harmful interference to radio communications. However, there is no guarantee that interference will not occur in a particular installation. If this equipment does cause harmful interference to radio or television reception, which can be determined by turning the equipment off and on, the user is encouraged to try to correct the interference by one or more of the following measures:

- Reorient or relocate the receiving antenna.
- Increase the separation between the equipment and receiver.
- Connect the equipment into an outlet on a circuit different from that to which the receiver is connected.
- Consult the dealer or an experienced radio/TV technician for help.

Changes or modifications to equipment not expressly approved by PHIHONG could void the user's authority to operate the equipment.