



5W Compact Fixed Blade USB Charger - EU



Features

- Fixed Blade
- Low Profile
- Low Cost
- Ecodesign/ErP Lot 7 (EU) 2019/1782 Compliance
- Operating Altitude up to 5,000 Meters

Applications

- Smart Phones
- PDAs
- Personal Electronics
- Digital Cameras



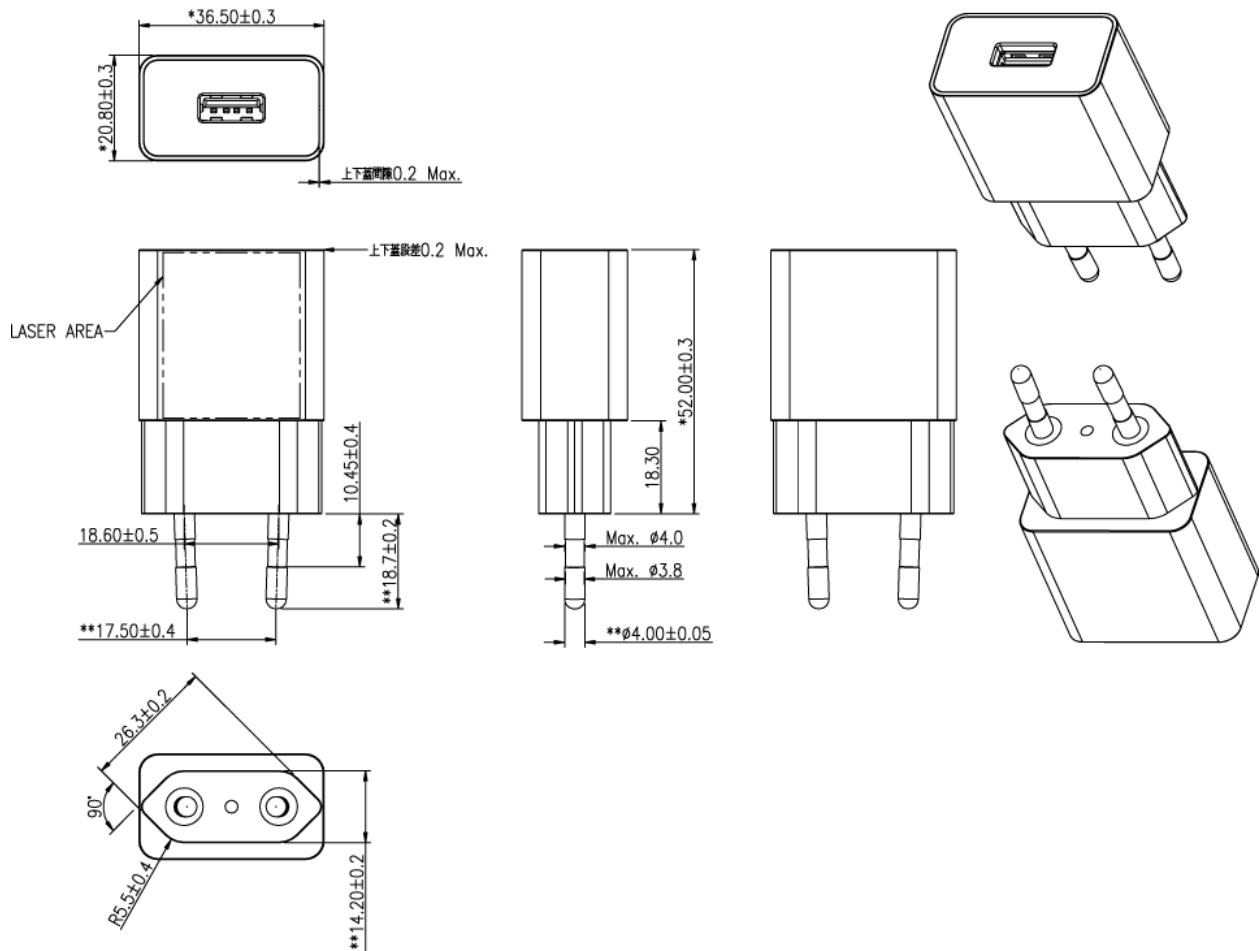


PSAA05E Specifications¹

Model		PSAA05E-050QL6-R ²	PSAA05E-050QL6W-R ²
Output	DC Output Voltage	5.0V	
	Max Current	1.0A	
	Output Power	5.0W	
	Regulation	± 5%	
	Ripple & Noise P-P(max) ³	200mV	
Input	AC Input Voltage Range	90 to 264VAC	
	AC Input Frequency	47 to 63Hz	
	Input Current	0.2A(RMS) max at 115VAC; 0.15A(RMS) max at 230VAC	
	Inrush Current	30A max @264VAC (cold start @ambient 25°C)	
	No Load Power Consumption at 230VAC Input	0.033W	
	230VAC Average Efficiency ⁴	74.65%	
	230VAC 10% Load Efficiency	75.57%	
	Leakage Current	0.025mA max	
Protection	Over-Voltage	<7.5V	
	Short Circuit	The output can be shorted without damage. Auto restart.	
	Over-Current	1.5A Max.	
Environmental	Operating Temperature	-10°C to +45°C	
	Non-Operating Temperature	-40° to +70°C	
	Operating Humidity	5 to 95%	
Safety Approvals and EMC	Dielectric Withstand (HI-POT)	Primary to Secondary: 3000VAC for 1min, 10mA	
	Insulation Resistance	Primary to Secondary: 100M ohm for 500VDC	
	Standards	IEC 62368-1	
	EMI Emissions	EN 55032/CISPR 32 Class B Conducted and Radiated	
Mechanical	Dimensions (L x W x H)	52.0mm (2.05in) x 36.5mm (1.44in) x 20.8mm (0.82in)	
	Weight	25g	
	DC Output Connector	USB CONN, 4PIN. D+ D- shorted, compliant to USB BC1.2	
	Case Color	Black	White
Notes	<ol style="list-style-type: none"> 1. The specifications defined are at ambient temperature of 25C, unless otherwise specified. 2. Special order item. Minimum order quantity applies. 3. 20MHz bandwidth frequency oscilloscope, add a 0.1µF multilayer Cap. and Low ESR Electrolytic Cap. (10µF) at output connector terminals (nominal line voltage, full load). 4. Efficiency is measured after 30 minutes burn-in. 		



PSAA05E Outline Drawing





USB Cables – Sold Separately

Unit: mm

Part no: IP-USB1(C10)S	Desc: USB-A to Micro-B – 1 Meter – Black
Part no: IPUSB1CS	Desc: USB to Mini-B – 1.5 Meter – Black
Part no: IPUSB1MS	Desc: USB-A to Micro-B – 1.5 Meter – Black
Part no: IPUSB1M5LD	Desc: USB-A to Micro-B – 24AWG – Low Drop – 1.5 Meter – Black
Part no: IPUSB1P5	Desc: USB-A to Micro-B – 1 Meter – 24AWG – Black
Part no: IPUSB1P5W	Desc: USB-A to Micro-B – 1 Meter – 24AWG – White

Part no: IPUSB1MSW	Desc: USB-A to Micro-B – 1.5 Meter – White
Part no: UES-1001A160	Desc: Low Drop Type-C USB Cable – 1 Meter – 23AWG on Power – 30AWG on Data - Black
Part no: UES-1003A160	Desc: Low Drop Type-C USB Cable - 1 Meter – 23AWG on Power – 30AWG on Data - White