



## 12W Wall Plug Adapter



### Features

- Double Insulated
- Class B EMI
- < 0.075W No-Load Current
- DOE Level VI
- Over-Voltage & Short-Circuit protections

### Applications

- Wireless Communications
- Networking
- Portable Equipment
- Peripherals

### Safety Approvals

- UL/cUL 62638-1

### Mechanical Characteristics

- Length: 71.2mm (2.80in)
- Width: 34mm (1.34in)
- Height: 46mm (1.81in)
- Weight: 85g (3.00oz) Ref

### Output Specifications

Model	Prong Style	DC Output Voltage	Load		Ripple <sup>1</sup> P-P (max.)	Regulation Line & Load
			Min.	Max.		
PSAA12A-120L6-R	US	12V	0A	1A	240mV	±5%

Notes:

1. Measured with by-pass capacitors 0.1uf /10uf at output connector terminal and oscilloscope set at 20 MHz ( tested by oscilloscope) after 30 minutes warm-up

**Input:****AC Input Voltage Rating**

100 to 240 V AC

**AC Input Voltage Range**

90 to 264V AC

**AC Input Frequency**

47 to 63Hz

**Input Current**

0.5A (RMS) max at 100VAC, max load

**Leakage Current**

0.25mA max

**Inrush Current**

60A @230VAC, 25°C, at max load

**Input Power Saving**

&lt;0.075W at 230Vac, no load

**Output:****Efficiency<sup>2</sup>**

DOE Level VI

**Hold-up Time**

10mS Min. at Max load and 120Vac 60Hz

**Short Circuit Protection**

Units protected against a continuous short circuit and over current condition over the operating range.

**Over-Voltage Protection**

Output voltage shall not exceed 20V

**Over-Current Protection**

2A max

**Environmental:****Temperature**

Operation 0°C to +40°C

Non-operation -40°C to +85°C

Humidity 90%RH Max

**Emissions**

Complies with FCC Class B

Complies with EN55022 Class B

**Immunity**

EN50082-1:

EN61000-4-2 Level 4

EN61000-4-5 Level 3

EN61000-3-2

EN61000-3-3

EN55024

IEC610004-2

IEC610004-3

IEC610004-4

IEC610004-5

IEC610004-6

IEC610004-8

IEC610004-11

**Dielectric Withstand (Hi-pot) Test**

Primary to Secondary: 3000V AC for 1 min.,  
10mA

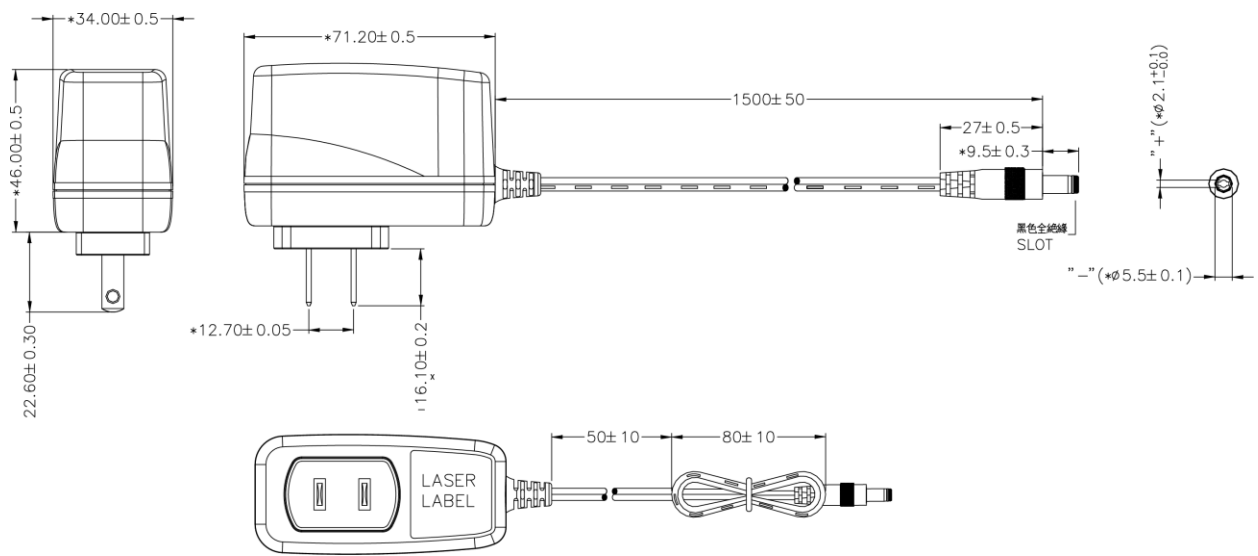
**DC Output Connector**

The output dc cord shall be 1200mm 26AWG in length. Matte black PVC insulation. DC plug: (-) GND outside; (+) Output inside

## Notes:

1. The characteristics defined are at ambient temperature of 25°C unless otherwise specified
2. Efficiency is measured after 30 minutes burn-in

**Dimension Diagram Unit: mm**





**Supplier's Declaration of Conformity  
47 CFR § 2.1077 Compliance Information**

Phihong USA Corporation  
47800 Fremont Boulevard  
Fremont, CA 94538  
Telephone: (510) 445-0100  
[www.phihong.com](http://www.phihong.com)

*This device complies with/The devices in this product series comply with part 15 of the FCC Rules. Operation is subject to the following two conditions: (1) This device may not cause harmful interference, and (2) this device must accept any interference received, including interference that may cause undesired operation.*