



18W Desktop C14 Adapter Series



Features

- Non-Vented Case
- US DoE Level VI Efficiency Compliance
- Ecodesign/ErP Lot 7 (EU) 2019/1782 Compliance
- EU CoC Ver 5 Tier 2 Compliance
- Class B EMI

Applications

- Portable Equipment
- Access Devices
- Peripherals
- Networking

*NRCan approval for PSAA18U-120L6-R, PSAA18U-480L6-R models only

Phihong Taiwan - No.568, Fuxing 3rd Rd., Guishan Dist., Taoyuan City (33383), Taiwan, ROC

Phihong USA - 47800 Fremont Blvd. Fremont, CA 94538, USA

Phihong Europe - Wattstraat 50, 2171 TR Sassenheim, The Netherlands



PSAA18U Series Specifications¹

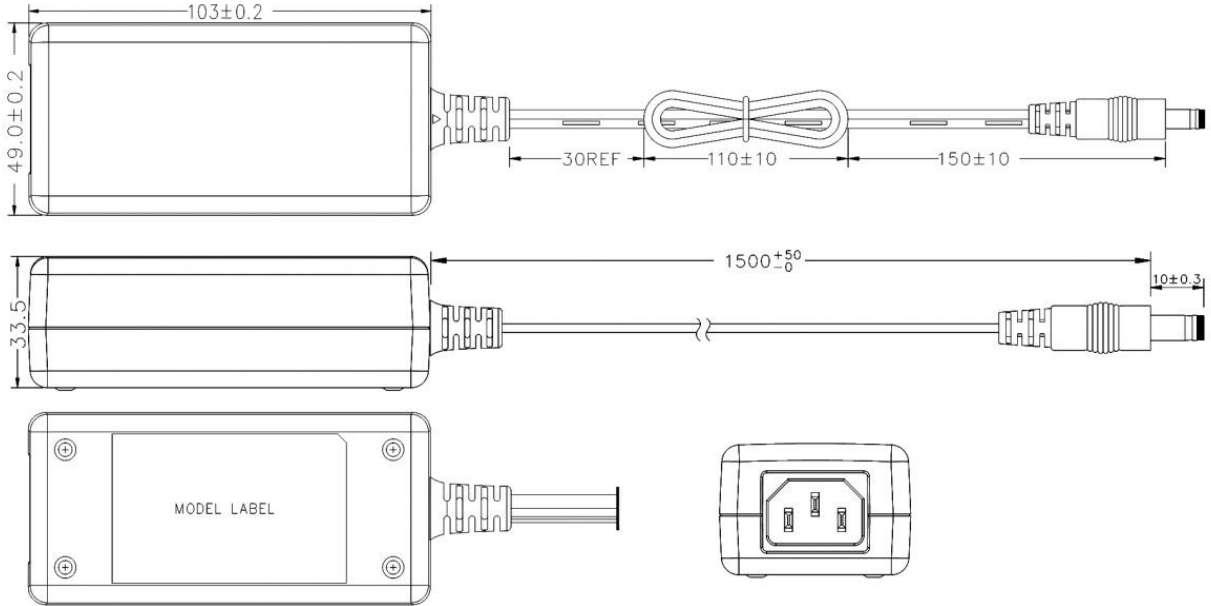
Model		PSAA18U-120L6-R ²	PSAA18U-150L6-R ²	PSAA18U-240L6-R ²
Output	DC Output Voltage	12.0V	15.0V	24.0V
	Max Current	1.5A	1.2A	0.75A
	Output Power	18.0W	18.0W	18.0W
	Regulation	± 5%	± 5%	± 5%
	Ripple & Noise P-P(max) ³	120mV	150mV	240mV
Input	AC Input Voltage Range	90 to 264VAC		
	AC Input Frequency	47 to 63Hz		
	Input Current	0.6A (RMS) max @100VAC, 0.3A (RMS) max @240VAC		
	Inrush Current	60A max @100VAC, 150A max @240VAC		
	No Load Power Consumption at 115VAC Input	0.0319W	0.041W	0.049W
	No Load Power Consumption at 230VAC Input	0.0509W	0.062W	0.072W
	115VAC Average Efficiency ⁴	85.48%	86.26%	87.91%
	230VAC Average Efficiency ⁴	85.62%	85.84%	87.73%
	230VAC 10% Load Efficiency ³	81.27%	79.48%	80.92%
Leakage Current	0.25mA max			
Protection	Over-Voltage	20V Max, Auto restart	25V Max, Auto restart	35V Max, Auto restart
	Short Circuit	Output can be shorted permanently without damage		
	Over-Current	<3A, Auto restart	<2.4A, Auto restart	<1.5A, Auto restart
Environmental	Operating Temperature	0°C to +40°C		
	Non-Operating Temperature	-20° to +75°C		
	Operating Humidity	0 to +90%		
Safety Approvals and EMC	Dielectric Withstand (HI-POT)	Primary to Secondary: 3000VAC for 1min, 10mA		
	Insulation Resistance	Primary to Secondary: >10M ohm for 500VDC		
	Standards	cULus 62368-1, IEC 62368-1		
	EMI Emissions	FCC Part 15 Class B, CAN ICES-003(B)/NMB-003(B), EN 55032/CISPR 32 Class B Conducted and Radiated		
	Harmonic Current Emissions	IEC 61000-3-2		
	Voltage Fluctuations & Flicker	IEC 61000-3-3		
	Immunity	EN 55024/CISPR 24: IEC 61000-4-2 (+/- 8kV air, +/- 4kV contact), IEC 61000-4-3, IEC 61000-4-4, IEC 61000-4-5 (+/- 2kV), IEC 61000-4-6, IEC 61000-4-8, IEC 61000-4-11		
Mechanical	Dimensions (L x W x H)	103.0mm (4.06in) x 49mm (1.93in) x 33.5mm (1.32in)		
	Weight	140g		
	Cable Length	1500mm		
	DC Output Connector	2.1mm x 5.5mm x 10.0mm		
	DC Wire Type	22 AWG		
	DC Plug Pin Assignment	Inner (V+) / Outer GND (V-)		
	Input Connector	IEC 60320 C14		

Model		PSAA18U-480L6-R ²
Output	DC Output Voltage	48.0V
	Max Current	0.38A
	Output Power	18.24W
	Regulation	± 5%
	Ripple & Noise P-P(max) ³	480mV
Input	AC Input Voltage Range	90 to 264VAC
	AC Input Frequency	47 to 63Hz
	Input Current	0.6A (RMS) max @100VAC, 0.3A (RMS) max @240VAC
	Inrush Current	60A max @100VAC, 150A max @240VAC
	No Load Power Consumption at 115VAC Input	0.039W
	No Load Power Consumption at 230VAC Input	0.062W
	115VAC Average Efficiency ⁴	88.00%
	230VAC Average Efficiency ⁴	87.90%
	230VAC 10% Load Efficiency ⁴	78.00%
	Leakage Current	0.25mA max
Protection	Over-Voltage	60V Max, Auto restart
	Short Circuit	Output can be shorted permanently without damage
	Over-Current	<0.76A, Auto restart
Environmental	Operating Temperature	0°C to +40°C
	Non-Operating Temperature	-20° to +75°C
	Operating Humidity	0 to +90%
Safety Approvals and EMC	Dielectric Withstand (HI-POT)	Primary to Secondary: 3000VAC for 1min, 10mA
	Insulation Resistance	Primary to Secondary: >10M ohm for 500VDC
	Standards	cULus 60950-1, cULus 62368-1 IEC 60950-1, IEC 62368-1
	EMI Emissions	FCC Part 15 Class B, CAN ICES-003(B)/NMB-003(B), EN 55032/CISPR 32 Class B Conducted and Radiated
	Harmonic Current Emissions	IEC 61000-3-2
	Voltage Fluctuations & Flicker	IEC 61000-3-3
	Immunity	EN 55024/CISPR 24: IEC 61000-4-2 (+/- 8kV air, +/- 4kV contact), IEC 61000-4-3, IEC 61000-4-4, IEC 61000-4-5 (+/- 2kV), IEC 61000-4-6, IEC 61000-4-8, IEC 61000-4-11
Mechanical	Dimensions (L x W x H)	103.0mm (4.06in) x 49mm (1.93in) x 33.5mm (1.32in)
	Weight	130g
	Cable Length	1500mm
	DC Output Connector	2.1mm x 5.5mm x 10.0mm
	DC Wire Type	24 AWG
	DC Plug Pin Assignment	Inner (V+) / Outer GND (V-)
	Input Connector	IEC 60320 C14
Notes	<ol style="list-style-type: none"> The specifications defined are at ambient temperature of 25°C, unless otherwise specified. Not recommended for new designs (NRND). Minimum order quantity applies. 20MHz bandwidth frequency oscilloscope, add a 0.1µF multilayer Cap. and Low ESR Electrolytic Cap. (10µF) at output connector terminals (nominal line voltage, full load). Efficiency is measured after 30 minutes burn-in. 	

*NRCan approval for PSAA18U-120L6-R, PSAA18U-480L6-R models only



PSAA18U Outline Drawing








**Supplier's Declaration of Conformity
47 CFR § 2.1077 Compliance Information**

Phihong USA Corporation
47800 Fremont Boulevard
Fremont, CA 94538
Telephone: (510) 445-0100
www.phihong.com

This device complies with/The devices in this product series comply with part 15 of the FCC Rules. Operation is subject to the following two conditions: (1) This device may not cause harmful interference, and (2) this device must accept any interference received, including interference that may cause undesired operation.



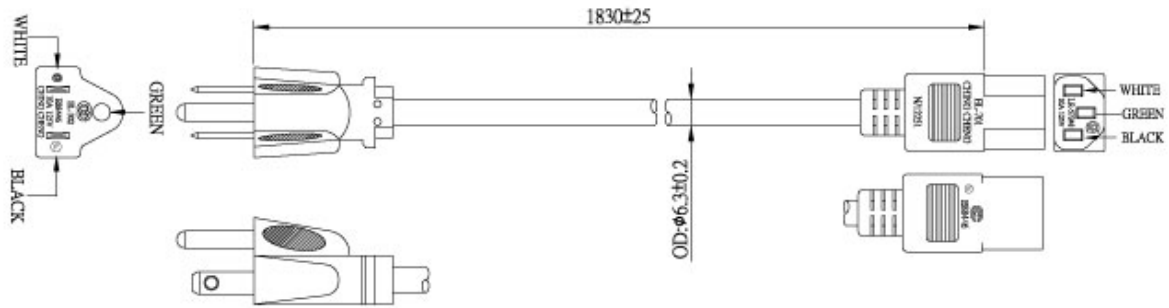
Line Cords - Sold Separately

Model		AC30UNA-R	AC30UEU-R	AC30UUK-R
Specifications	Plug Type	North America NEMA 5-15P	Continental Europe CEE 7VIII	United Kingdom BS 1363
	Connector	IEC320 C13	IEC320 C13	IEC320 C13
	Wire Size	18 AWG	0.75mm	1.0mm
	Temperature	60°C	70°C	70 °C
	Amperage Rating	10A	6A	10A
	Voltage Rating	125V	250V	250V
	Cable Length	1830mm	1830mm	2500mm
Safety Approvals		CSA; UL	CEBEC; DEMKO; DVE; FIMKO; GOST; IMQ; KEMA; NEMKO; NF; OVE; SEMKO	BSI; Safety Mark
Photos				

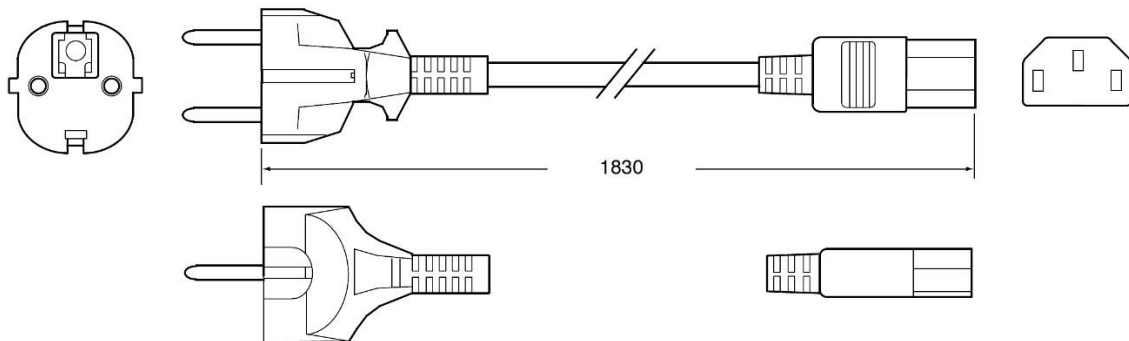


Line Cords - Outline Drawings

AC30UNA-R



AC30UEU-R



AC30UUK-R

