



5W Fixed Blade Wall Mount Adapter - US



Features

- Double Insulated
- Low Leakage Current
- Low Cost
- Small Package Size
- Class B EMI
- US DoE Level VI Compliance

Applications

- MPEG Players
- Personal Electronics
- PDAs
- Digital Cameras



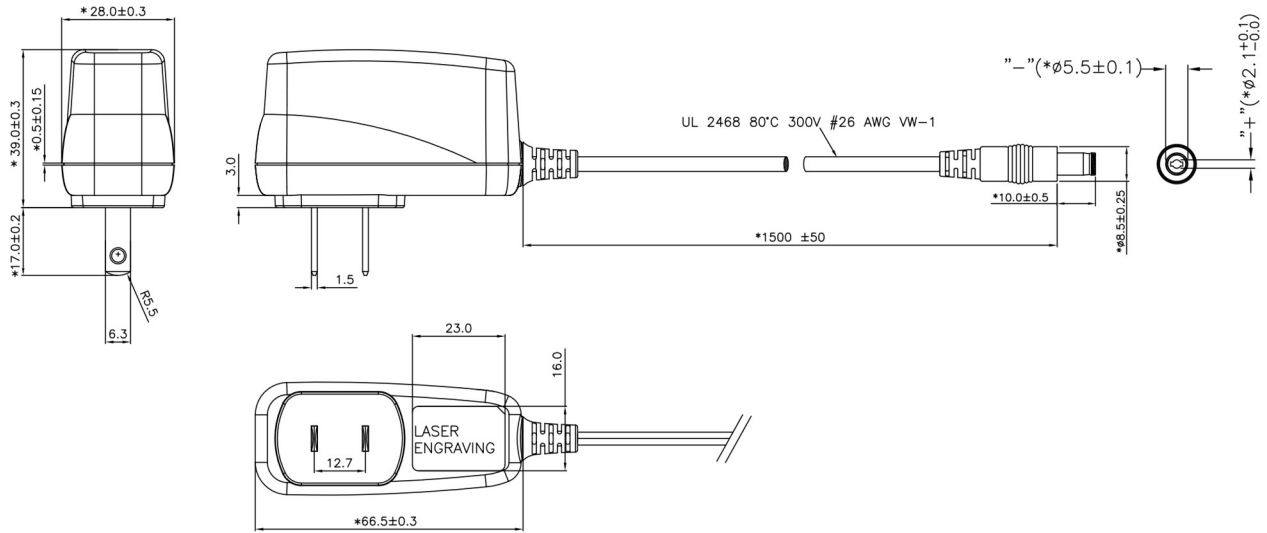


PSAC05A Specifications¹

Model		PSAC05A-050L6-R	PSAC05A-050L6M-R	PSAC05A-050L6B-R ²
Output	DC Output Voltage	5.0V		
	Max Current	1.0A		
	Output Power	5.0W		
	Regulation	± 5%		
	Ripple & Noise P-P(max) ³	150mV		
Input	AC Input Voltage Range	90 to 264VAC		
	AC Input Frequency	47 to 63Hz		
	Input Current	0.15A(RMS) max		
	Inrush Current	40A @115VAC/60Hz max load; 60A @230VAC/50Hz max load (Cold start at ambient 25°C)		
	No Load Power Consumption at 115VAC Input	0.0204W	0.020W	0.025W
	No Load Power Consumption at 230VAC Input	0.0288W	0.025W	0.037W
	115VAC Average Efficiency ⁴	75.92%	75.90%	76.05%
	230VAC Average Efficiency ⁴	74.44%	74.84%	74.55%
	Leakage Current	250uA max		
Protection	Over-Voltage	7.5V max		
	Over-Current	2A max		
	Short Circuit	Output can be shorted permanently without damage		
Environmental	Operating Temperature	0°C to +40°C		
	Non-Operating Temperature	-20° to +70°C		
	Operating Humidity	0 to 90%		
Safety Approvals and EMC	Dielectric Withstand (HI-POT)	Primary to Secondary: 3000VAC for 1min, 10mA		
	Insulation Resistance	Primary to Secondary: 10M ohm for 500VDC		
	Standards	cULus 62368-1		
	EMI Emissions	FCC Part 15 Class B, CAN-ICES-003(B)/NMB-003(B) Class B Conducted and Radiated		
Mechanical	Dimensions (L x W x H)	66.5mm (2.62in) x 28.0mm (1.10in) x 56.0mm (2.20in)		
	Weight	85g		
	DC Output Connector	2.1mm x 5.5mm x 10mm Barrel Center Positive	USB Micro B	USB Mini B
Notes	<ol style="list-style-type: none"> The specifications defined are at ambient temperature of 25°C, unless otherwise specified. Special order item. Minimum order quantity applies. 20MHz bandwidth frequency oscilloscope, add a 0.1µF multilayer Cap. and Low ESR Electrolytic Cap. (10µF) at output connector terminals (nominal line voltage, full load). Efficiency is measured after 30 minutes burn-in. 			

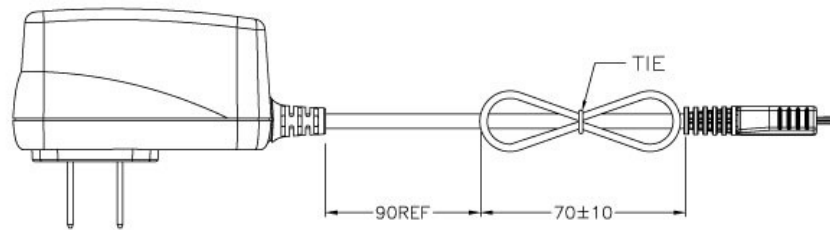
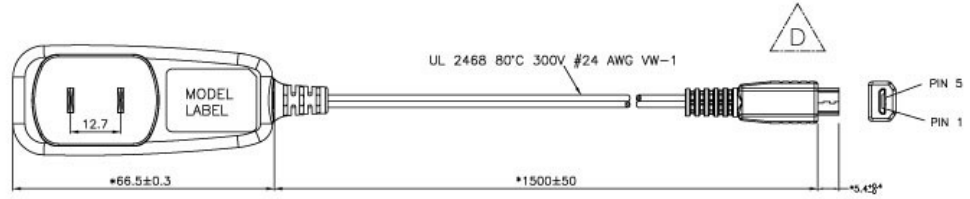
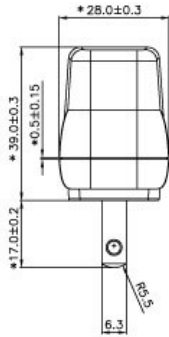


PSAC05A-050L6-R Outline Drawing



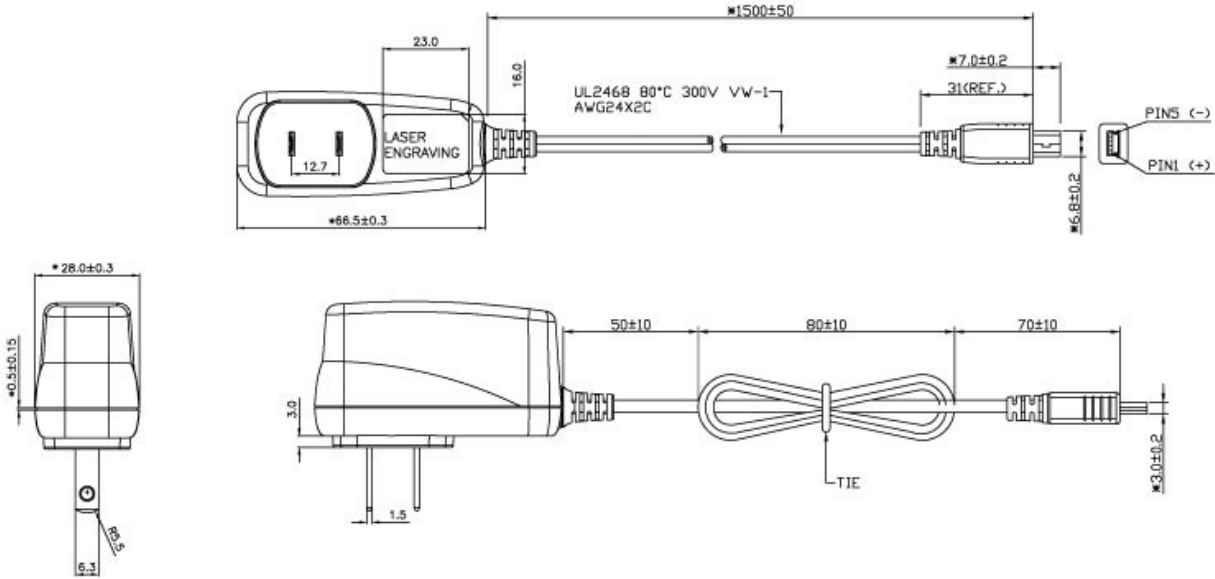


PSAC05A-050L6M-R Outline Drawing





PSAC05A-050L6B-R Outline Drawing



Supplier's Declaration of Conformity
47 CFR § 2.1077 Compliance Information

Phihong USA Corporation
47800 Fremont Boulevard
Fremont, CA 94538
Telephone: (510) 445-0100
www.phihong.com

NOTE: This model has/The models in this products series have been tested and found to comply with the limits for a Class B digital device, pursuant to part 15 of the FCC Rules. These limits are designed to provide reasonable protection against harmful interference in a residential installation. This equipment generates, uses and can radiate radio frequency energy and, if not installed and used in accordance with the instructions, may cause harmful interference to radio communications. However, there is no guarantee that interference will not occur in a particular installation. If this equipment does cause harmful interference to radio or television reception, which can be determined by turning the equipment off and on, the user is encouraged to try to correct the interference by one or more of the following measures:

- Reorient or relocate the receiving antenna.
- Increase the separation between the equipment and receiver.
- Connect the equipment into an outlet on a circuit different from that to which the receiver is connected.
- Consult the dealer or an experienced radio/TV technician for help.

Changes or modifications to equipment not expressly approved by PHIHONG could void the user's authority to operate the equipment.