



5W Low Cost Adapter – AUS/NZ



Features

- Double Insulated
- Efficiency Level VI Compliance
- Small Package Size
- Low Leakage Current
- Low Cost
- Class B EMI

Applications

- MPEG Players
- PDAs
- Personal Electronics
- Digital Cameras

Safety Approvals

- RCM

Mechanical Characteristics

- Length: 66.5mm (2.62in)
- Width: 41.0mm (1.65in)
- Height: 45.0mm (1.77in)

Output Specifications

Model	Prong Style	DC Output Voltage	Load		Ripple ¹ P-P (max.)	Regulation ⁴ Line & Load	Output Cable
			Min.	Max.			
PSAC05S-050L6-R ⁵	AUS	5V	0A	1A	150mV	±5%	Barrel
PSAC05S-050L6M-R ⁵	AUS	5V	0A	1A	150mV	±5%	Micro-b

Notes:

1. Measurement made with an oscilloscope with 20MHz Bandwidth. Output bypassed at connector with a 0.1uF ceramic capacitor and a 10uF electrolytic capacitor (Low ESR)

Input:

AC Input Voltage Rating
100 to 240V AC

AC Input Voltage Range
90 to 264V AC

AC Input Frequency
47 to 63Hz

Input Current
0.15A (RMS) maximum

Leakage Current
250uA maximum

Inrush Current
40A @115Vac/60Hz & Max load
60A @230Vac/50Hz & Max load
(Cold start at ambient 25°C)

Input Power Saving²
<75mW@115VAC/230VAC No Load

Output:**Efficiency³**

DOE Level VI
Ecodesign Directive 2009/125/EC (EU
2019/1782)

Dielectric Withstand (Hi-pot) Test

Primary to Secondary: 3000V AC for 1
min., 10mA

Short-Circuit Protection

Output can be shorted permanently without
damage

Over-Voltage Protection

7.5V DC maximum

Over-Current Protection

2A maximum

Environmental:**Temperature**

Operation	0 to +40°C
Non-operation	-20 to +70°C
Humidity	0 to 90%

Emissions

Complies with FCC Class B
Complies with EN55032 Class B

Immunity

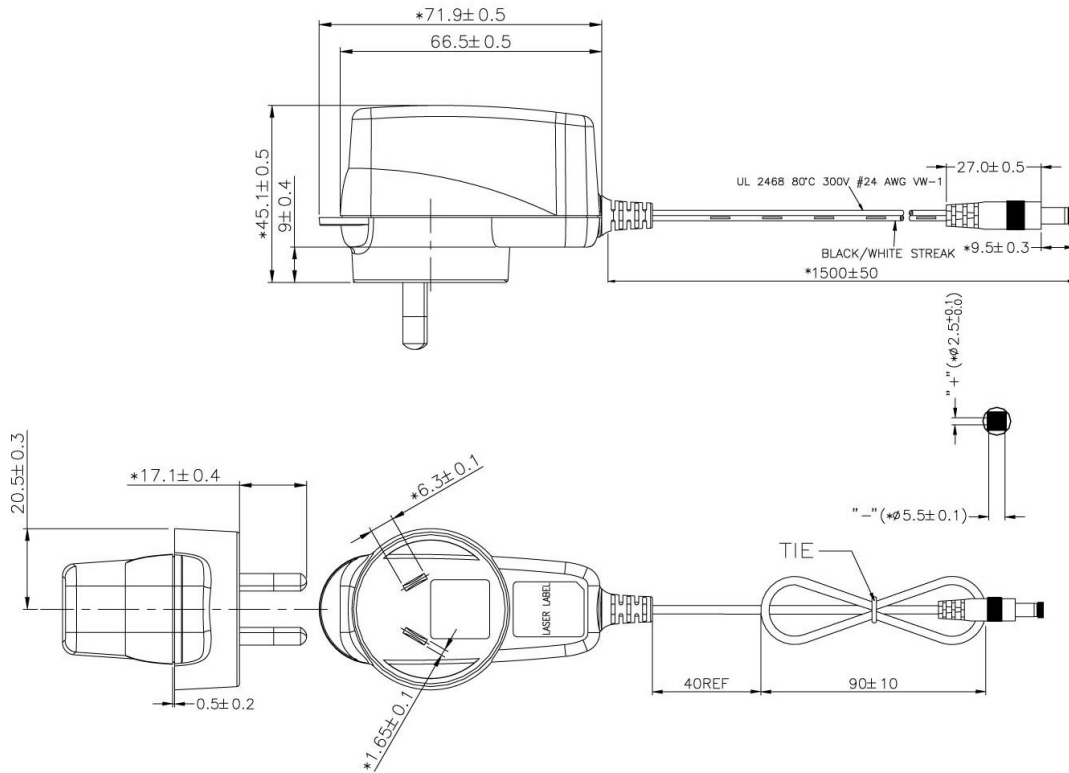
EN 61000-4-2 Level 4, Contact ±8kV. Air ±
15kV
EN 61000-4-5 Level 3, 1kV line to neutral,
Criteria B

Notes:

1. The characteristics defined are at ambient temperature of 25°C unless otherwise specified
2. No load after 15 minutes warm-up
3. Efficiency is measured after 30minutes burn-in

Dimension Diagram Unit: mm

PSAC05S-050L6-R



Dimension Diagram Unit: mm

PSAC05S-050L6M-R

