



24 Watt – Wall Plug Adapter



Features

- Class B EMI
- Short-Circuit Protection
- Class II Double Insulated
- Over-Voltage, Over-Current Protection

Applications

- Portable Equipment
- Peripherals
- Access Devices

Safety Approvals

- cUL/UL 60950-1

Mechanical Characteristics

- Length: 83.5mm (3.29in)
- Width: 35.0mm (1.38in)
- Height: 53.5mm (2.89in)
- Weight: 165g (5.82oz)

Output Specifications

Model	DC Output Voltage	Load		Ripple ⁽¹⁾ P-P (max.)	Regulation Line & Load
		Min.	Max.		
PSAC24A-120L6-R	12V	0A	2.0A	240mV	±5%

Notes: (1) Measured after 30 minutes with by-pass capacitors 0.1uF/10uF at output connector terminal and oscilloscope set at 20MHz.

Phihong is not responsible for any error, and reserves the right to make changes without notice. Please visit our website at www.phihong.com for the most up-to-date specifications and contact information.

INPUT:**AC Input Voltage Rating**

100 to 240V AC

AC Input Voltage Range

90 to 264V AC

AC Input Frequency

50 to 60Hz

Input Current

0.6A (RMS) maximum at 100V AC

Leakage Current

0.25mA max at 100Vac/60Hz & 240Vac/50Hz

Inrush Current

40A max at 115VAC/60Hz

80A max at 230VAC/50Hz

(Cold start at ambient 25°C)

OUTPUT:**Efficiency**

DOE Level VI

Hold-up Time

≥10ms min at 115Vac/60Hz & 230Vac/50Hz,

max load

ENVIRONMENTAL:**Temperature**

Operation 0 to +40°C

Non-operation -20 to +70°C

Humidity 90%RH max

Emissions

Complies with FCC Class B

Complies with EN55032 Class B

Immunity

EN 61000-3-2

EN 61000-4-2

EN 61000-4-3

EN 61000-4-4

EN 61000-4-5

EN 61000-4-6

EN 61000-4-8

EN 61000-4-11

Dielectric Withstand (Hi-pot) Test

≥3KVac/10mA @1minute

FEATURES:**Over-Voltage Protection**

≤20.4V max at 90Vac~264Vac, max load

Over-Current Protection

≤4A max at 90Vac~264Vac, max load

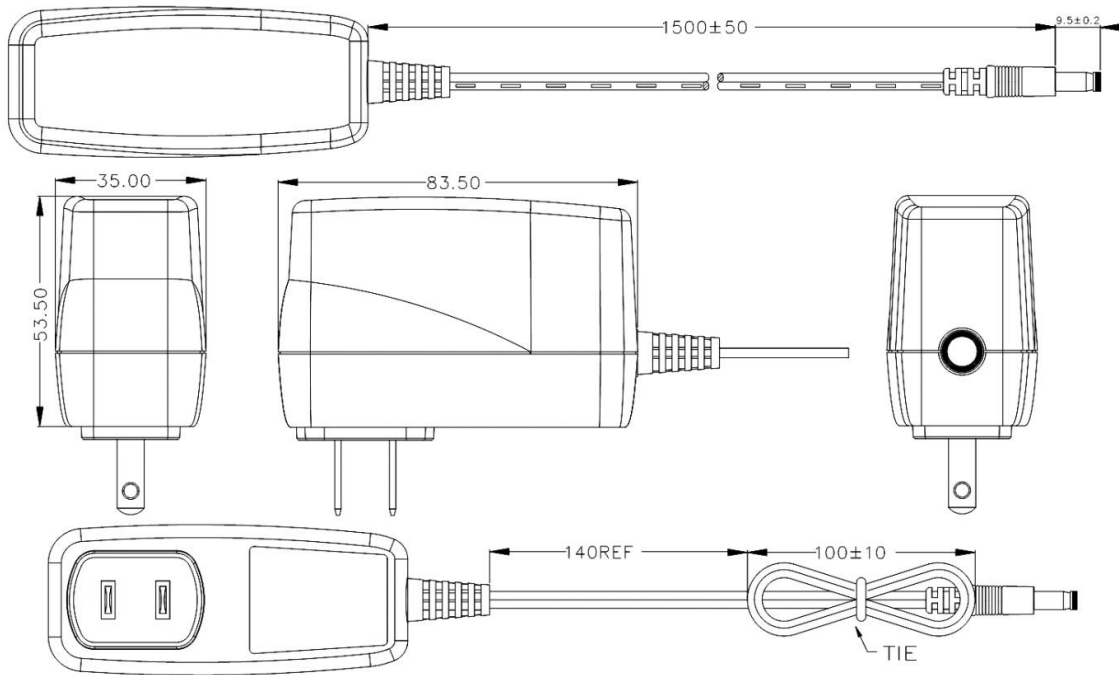
Short-Circuit Protection

Units shall be protected against a continuous short circuit and over current condition over the operating range. A continuous short circuit shall not produce excessive heat and no smoke or fire

DC Output Connector

2.1 x 5.5mm Center Positive Barrel

Outline Diagram Unit: mm



**Supplier's Declaration of Conformity
47 CFR § 2.1077 Compliance Information**

Phihong USA Corporation
47800 Fremont Boulevard
Fremont, CA 94538
Telephone: (510) 445-0100
www.phihong.com

NOTE: This model has/The models in this product series have been tested and found to comply with the limits for a Class B digital device, pursuant to part 15 of the FCC Rules. These limits are designed to provide reasonable protection against harmful interference in a residential installation. This equipment generates, uses and can radiate radio frequency energy and, if not installed and used in accordance with the instructions, may cause harmful interference to radio communications. However, there is no guarantee that interference will not occur in a particular installation. If this equipment does cause harmful interference to radio or television reception, which can be determined by turning the equipment off and on, the user is encouraged to try to correct the interference by one or more of the following measures:

- Reorient or relocate the receiving antenna.
- Increase the separation between the equipment and receiver.
- Connect the equipment into an outlet on a circuit different from that to which the receiver is connected.
- Consult the dealer or an experienced radio/TV technician for help.

Changes or modifications to equipment not expressly approved by PHIHONG could void the user's authority to operate the equipment.