



## 10W Wall Plug Series PSC12x Adapter Series Meets EISA and Level V Efficiency



### Features

- Double Insulated
- Less Than 0.3W No-Load Current
- Efficiency Level V Compliance
- Class B EMI
- Over Voltage Protection
- Over Current Protection

### Applications

- Wireless Communications
- Networking
- Portable Equipment
- Peripherals

### Safety Approvals

- cUL/UL (for PSC12A)
- SAA (for PSC12S)
- Ecodesign ErP Directive 2009/125/EC (for PSC12E and PSC12K)
- CE (for PSC12E & PSC12K)
- C-Tick (for PSC12S)
- CCC (for PSC12C)

### Mechanical Characteristics <sup>(1)</sup>

- Length: 71.7mm (2.82in)
- Width: 45 (1.77in)
- Height: 49.1mm (1.93in)
- Weight: 75g (2.65oz)

### Output Specifications

Model	DC Output Voltage	Load		Ripple P-P (max.)	Regulation Line & Load	Prong Style
		Min.	Max.			
PSC12C-050-R	5V	0A	2.0A	200mV	±5%	China
PSC12E-050-R	5V	0A	2.0A	200mV	±5%	Europe
PSC12K-050-R	5V	0A	2.0A	200mV	±5%	UK
PSC12S-050-R	5V	0A	2.0A	200mV	±5%	Australia

(1) Mechanical characteristics for US model

(2) Measured with an oscilloscope with 20MHz (or over) bandwidth. Outputs should be bypassed at a connector with a 0.1uF ceramic capacitor and a 10uF electrolytic capacitor.

**Input:****AC Input Voltage Rating**

100 to 240VAC

**AC Input Voltage Range**

90 to 264VAC

**AC Input Frequency**

47 to 63Hz

**Input Current**

0.5A (RMS) maximum at 120VAC

0.25A (RMS) maximum at 240VAC

**Leakage Current**

0.25A maximum at 264VAC

**Inrush Current** (Cold Start at ambient 25°C)

30A for 120VAC and maximum load

60A for 240VAC at maximum load

**Input Power Saving**

0.3W maximum at no load

**Output:****Efficiency**

73.4% min average efficiency for 5V model

76.6% min average efficiency for 9V model

**Hold-up Time**

10mS minimum at 120VAC and maximum load

**Short-Circuit Protection**

Auto restart

**Environmental:****Temperature**

Operation 0 to +40°C

Non-operation -40 to +85°C

Humidity 10-90% non-condensing

**Emissions**

Complies with FCC Class B

Complies with EN55032 Class B

**Immunity**

EN50082-1: (EN55024)

EN61000-4-2 Level

EN61000-4-3 Level

EN61000-4-4 Level

EN61000-4-5 Level

EN61000-4-6 Level

EN61000-4-8 Level

EN61000-4-11

**Dielectric Withstand (Hi-pot) Test**

Primary to Secondary: 3000V AC for 1 min., 10mA

Primary to F.G.: 1500V AC for 1 min., 10mA

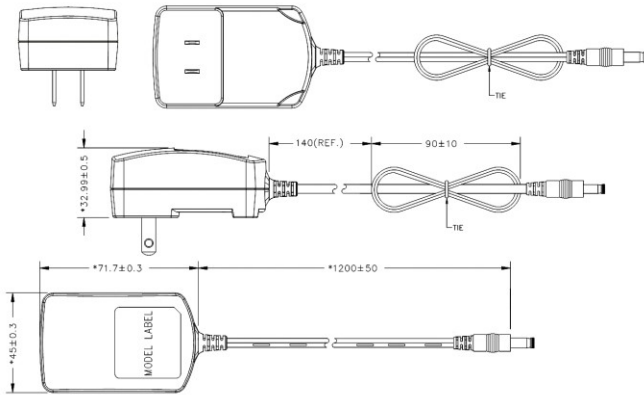
**DC Output Connector**

2.1 x 5.5mm Center Positive Standard

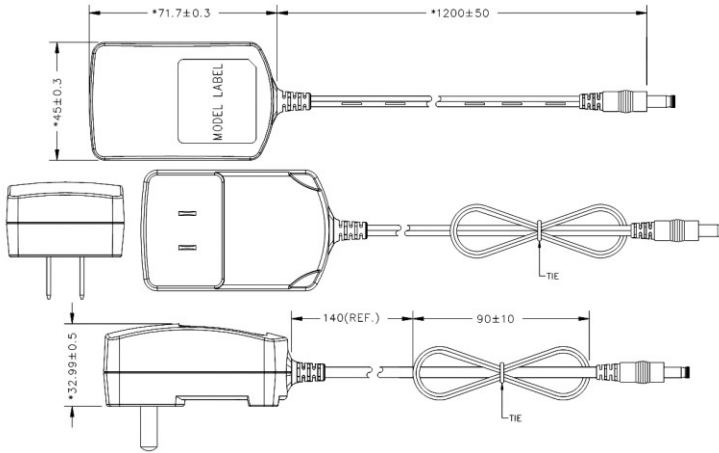
**Mating Connector**

Kycon KLD-0202-A or equivalent

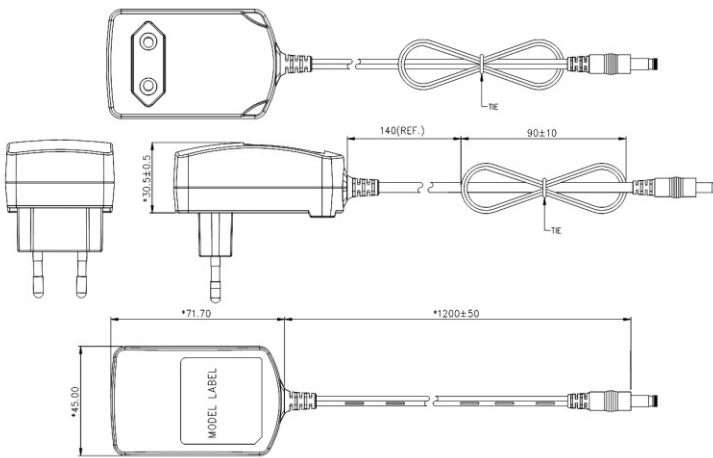
**Dimension Diagram Unit: mm PSC12**



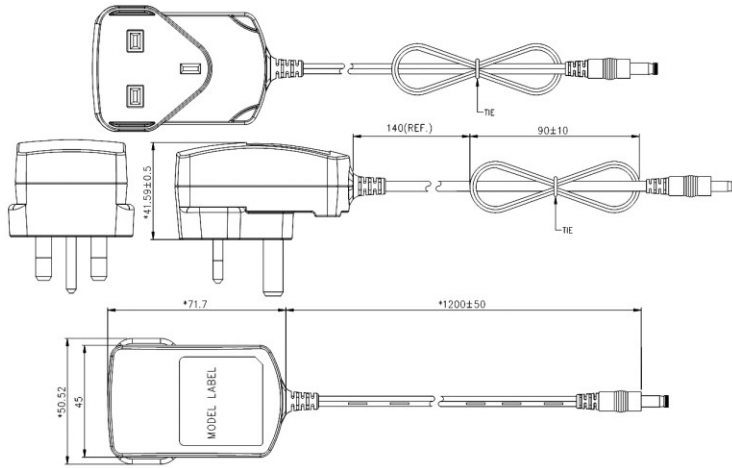
**Dimension Diagram Unit: mm PSC12C**



**Dimension Diagram Unit: mm PSC12E**



**Dimension Diagram Unit: mm PSC12K**



**Dimension Diagram Unit: mm PSC12S**

