



10W Fixed Blade USB Charger - UK



Features

- Fixed Blade
- Ecodesign/ErP Lot 7 (EU) 2019/1782 Compliance
- CoC Version 5 Tier 2 Compliance
- Low Cost
- OVP, OCP, short circuit protections
- Charging scheme: Data Lines (Pins 2 and 3) Shorted

Applications

- Tablets
- Portable Devices
- Personal Electronics

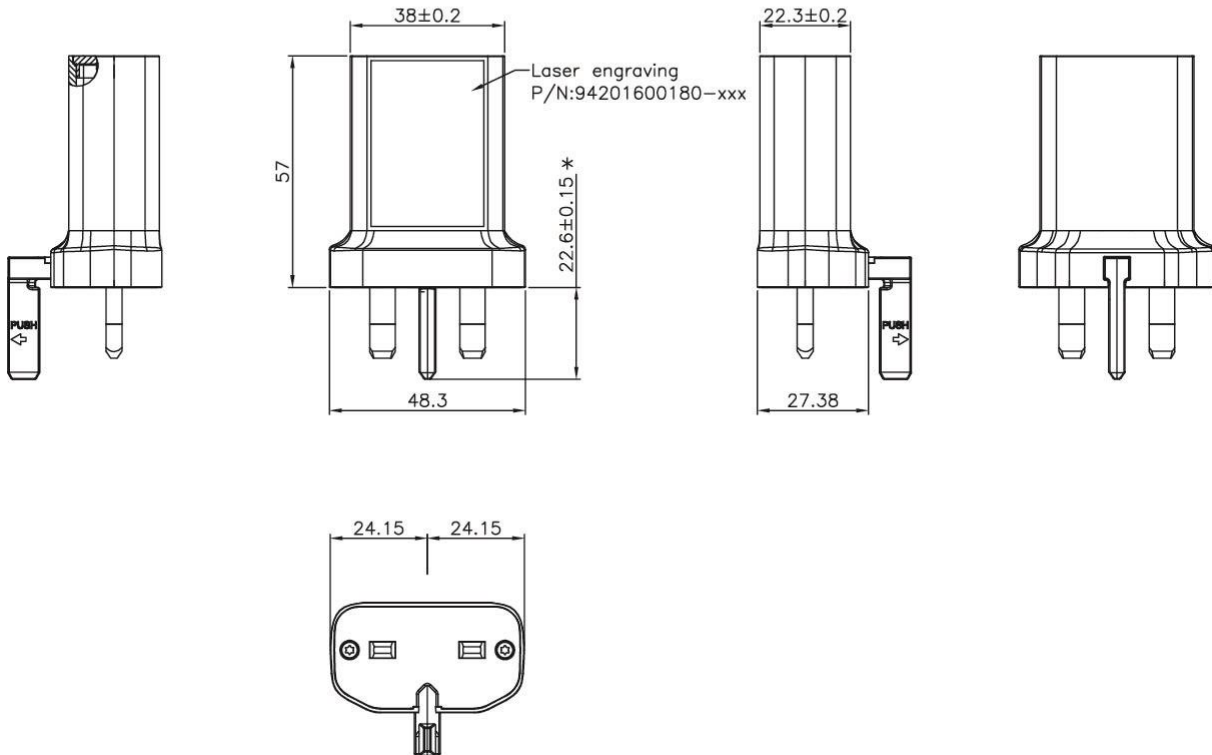
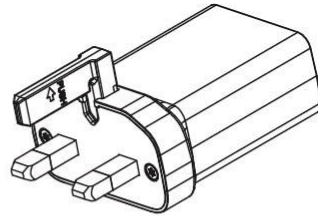
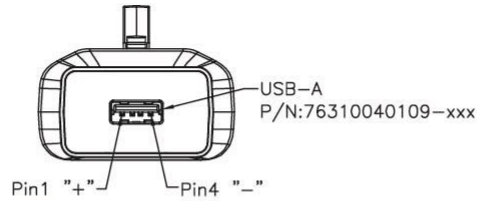


AQ10K Specifications¹

Model		AQ10K-050B-H ²	AQ10K-050BW-H ²
Output	DC Output Voltage	5.0V	
	Max Current	2.0A	
	Output Power	10.0W	
	Output Tolerance	4.7V ~ 5.4V (at USB-A connector)	
	Ripple & Noise P-P(max) ⁴	150mV	
Input	AC Input Voltage Range	90 to 264VAC	
	AC Input Frequency	47 to 63Hz	
	Input Current	0.28A (RMS) max at 115VAC/60Hz, 0.16A (RMS) max at 230VAC/50Hz	
	No Load Power Consumption at 115VAC Input	0.014W	0.014W
	No Load Power Consumption at 230VAC Input	0.021W	0.021W
	115VAC Average Efficiency ⁵	80.40%	80.40%
	230VAC Average Efficiency ⁵	80.40%	80.40%
	230VAC 10% Load Efficiency ⁵	76.20%	76.20%
	Leakage Current	125uA max @264VAC/50Hz	
Protection	Over-Voltage	8.0V max	
	Short Circuit	The output can be shorted without damage	
	Over-Current	3.0A max	
Environmental	Operating Temperature	0°C to +40°C	
	Non-Operating Temperature	-20° to +70°C	
	Operating Humidity	90% RH max	
Safety Approvals and EMC	Dielectric Withstand (HI-POT)	Primary to Secondary: 3000VAC for 1min, 10mA	
	Insulation Resistance	Primary to Secondary: >10M ohm for 500VDC	
	Standards	IEC 62368-1	
	EMI Emissions	EN 55032/CISPR 32 Class B Conducted and Radiated	
	Harmonic Current Emissions	IEC 61000-3-2	
	Voltage Fluctuations & Flicker	IEC 61000-3-3	
	Immunity	EN 55035/CISPR 35: IEC 61000-4-2 (Contact: ±8KV, Air: ±15KV) IEC 61000-4-3, IEC 61000-4-4, IEC 61000-4-5 (±1kV), IEC 61000-4-6, IEC 61000-4-8, IEC 61000-4-11	
Mechanical	Dimensions (L x W x H)	79.6mm (2.17in) x 38.0mm (1.50in) x 22.3mm (0.88in)	
	Weight	40g	
	DC Output Connector	USB-A	
	Case Color	Black	White
Notes	<ol style="list-style-type: none"> The specifications defined are at ambient temperature of 25C, unless otherwise specified. Special order item. Minimum order quantity applies. 20MHz bandwidth frequency oscilloscope, add a 0.1µF multilayer Cap. and Low ESR Electrolytic Cap. (10µF) at output connector terminals (nominal line voltage, full load). Efficiency is measured after 30 minutes burn-in. 		



AQ10K Outline Drawing





USB Cables – Sold Separately

Unit: mm

Part no: IP-USB1(C10)S	Desc: USB-A to Micro-B – 1 Meter – Black
Part no: IPUSB1CS	Desc: USB to Mini-B – 1.5 Meter – Black
Part no: IPUSB1MS	Desc: USB-A to Micro-B – 1.5 Meter – Black
Part no: IPUSB1M5LD	Desc: USB-A to Micro-B – 24AWG – Low Drop – 1.5 Meter – Black
Part no: IPUSB1P5	Desc: USB-A to Micro-B – 1 Meter – 24AWG – Black
Part no: IPUSB1P5W	Desc: USB-A to Micro-B – 1 Meter – 24AWG – White

Part no: IPUSB1MSW	Desc: USB-A to Micro-B – 1.5 Meter – White
Part no: UES-1001A160	Desc: Low Drop Type-C USB Cable – 1 Meter – 23AWG on Power – 30AWG on Data - Black
Part no: UES-1003A160	Desc: Low Drop Type-C USB Cable - 1 Meter – 23AWG on Power – 30AWG on Data - White