



18W USB Type-C with Power Delivery Adapter



Features

- USB-C PD 3.0¹
- USB-C PD 2.0²
- DOE Level VI
- COC Version 5 Tier 2
- Small Form Factor/High Power Density
- Class B EMI

Applications

- Mobile Phone
- Tablet
- Networking Devices
- Monitor

Safety Approvals

- UL/cUL (60950)

Mechanical Characteristics

- Length: 52mm (2.05in)
- Width: 23.3mm (0.92in)
- Height: 40mm (1.57in)
- Weight: 55g (1.94oz)

Output Specifications

Model	Prong Style	DC Output Voltage	Load		Ripple ³ P-P (max.)	Regulation Line & Load
			Min.	Max.		
AQ18A-59A ²	US	5V/9V	0A	3A/2A	200mV	±5%
AQ18E-59A	EU	5V/9V	0A	3A/2A	200mV	±5%
AQ18A-59CFA ¹	US	5V/9V/12V/15V	0A	3A/2A/1.5A/1.2A	200mV	±5%
AQ18E-59CFA	EU	5V/9V/12V/15V	0A	3A/2A/1.5A/1.2A	200mV	±5%

Notes:

1. USB Certified Power Delivery 3.0 for model AQ18A-59CFA
2. USB Certified Power Delivery 2.0 for models AQ18A-59A
3. Measurement made with an oscilloscope with 20MHz Bandwidth. Output bypassed at connector with a 0.1uF ceramic capacitor and a 10uF electrolytic capacitor (Low ESR)

Phihong is not responsible for any error, and reserves the right to make changes without notice. Please visit our website at www.phihong.com for the most up-to-date specifications and contact information.

Input:**AC Input Voltage Rating**

100 to 240V AC

AC Input Voltage Range

90 to 264V AC

AC Input Current

0.5A(RMS) max at 100V AC input

Leakage Current

100uA max

Input Power Saving

≤75mW at no load at 230VAC/50Hz

Output:**Efficiency**

DOE Level VI

COC Version 5 Tier 2

Hold-up Time

3mS min at 115VAC/60Hz

Environmental:**Temperature**

Operation 0°C to +40°C

Non-operation -30°C to +70°C

Relative Humidity 10 to 90%

Emissions

FCC Class B

EN55032 Class B

Immunity

ESD: EN61000-4-2

RS: EN61000-4-3

EFT: EN61000-4-4

Surge: EN61000-4-5

CS : EN61000-4-6

MS : EN61000-4-8

Dip: EN61000-4-11

Dielectric Withstand (Hi-pot) Test

Pri. to Sec. 3000VAC 3mA for 1 Minute

Insulation Resistance

Pri to Sec. >100M ohm at 500VDC

FEATURES:**Over-Voltage Protection**

6.25V max for 5V; 11.25V max for 9V; 15V max for 12V; 18.75V max for 15V

Over-Current Protection

Auto-recovery. 4.05A max for 5Vdc; 2.7A max for 9Vdc; 2.025A max for 12Vdc; 1.62A max for 15Vdc

Over-Temperature Protection

Latch off function. Case temperature shall not exceed 95°C

Short-Circuit Protection

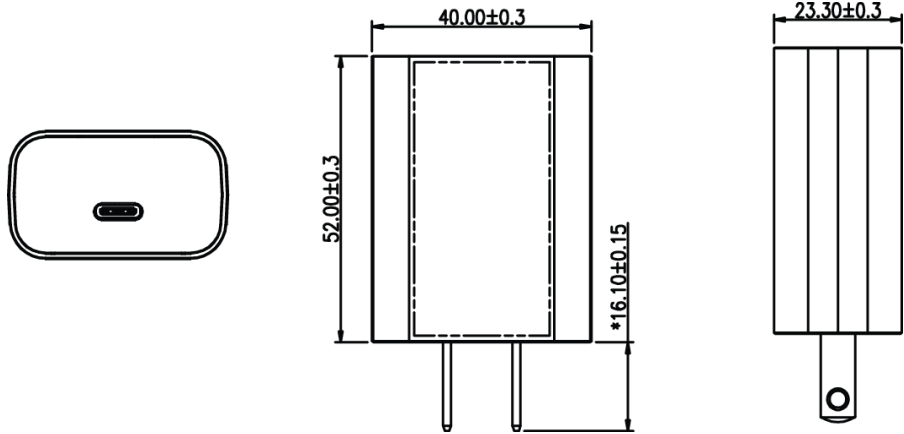
Auto-recovery

DC Output Connector

USB Type-C receptacle

Dimension Diagram Unit: mm (inch)

US Versions:



EU Versions:

