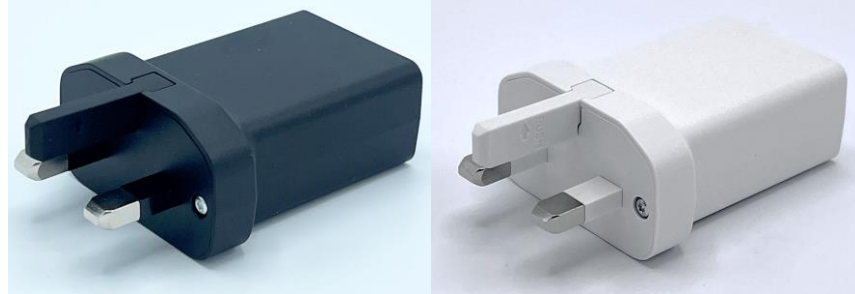




## 5W USB Medical Grade Adapter - UK



### Features

- Meets CoC Tier2
- MOOPx2 Classification
- Data Pins 2 and 3 Shorted
- LPS Compliant
- OVP, OCP, SCP
- IP22 Rating

### Applications

- Blood Glucose Meters
- Blood Pressure Monitors
- Wearable Monitoring Devices

### Safety Approvals

- IEC 60601-1
- IEC 60601-1-11

### Mechanical Characteristics

- Length: 57mm (2.24in)
- Width: 48.3mm (1.90in)
- Height: 27.58mm (1.09in)

### Output Specifications

Model	DC Output Voltage	Load		Ripple <sup>1</sup> P-P (max.)	Regulation Line & Load	Case Color	Prong Type
		Min.	Max.				
MQ05K-050B-H <sup>2</sup>	5V	0A	1A	200mV	±5%	Black	UK
MQ05K-050BW-H <sup>2</sup>	5V	0A	1A	200mV	±5%	White	UK

Notes:

1. Measuring is done by 20MHz bandwidth oscilloscope and terminated each output with a 10uF aluminum electrolytic capacitor and a 0.1uF ceramic capacitor
2. Special order MOQ

**Input:****AC Input Voltage Rating**

100 to 240Vac

**AC Input Voltage Range**

90 to 264Vac

**AC Input Current**

0.2A(RMS) max @115Vac/60Hz

0.15A(RMS) max @230Vac/50Hz

**Leakage Current**

100uA max at 264Vac/50Hz

**Input Power Saving**

≤75mW @115VAC/230VAC

**Output:****Efficiency**

Meets COC V5 Tier 2

**Environmental:****Temperature**

Operation -10°C to +45°C

Non-operation -40°C to +70°C

Operating Humidity 5% to 95% RH

**Emissions**

Complies with EN 60601-1-2

Complies with EN 55011

**Immunity**

ESD EN61000-4-2

Contact: ±8KV; Air ±15KV

RS EN61000-4-3 3V/m

EFT EN61000-4-4 1KV

Surge EN61000-4-5

Line to Line: 1KV

DIP EN61000-4-11 Level 3

**Dielectric Withstand (Hi-pot) Test**

Pri. to Sec. 3000VAC, 10mA for 1 Minute

**Insulation Resistance**

Pri. to Sec.: 10M ohm, 500VDC, 1 Minute

**FEATURES:****Over-Voltage Protection**

&lt; 7.5V peak, at 0.05-1A Load. Auto restart

**Short-Circuit Protection**

Auto recovery and no component damage

**Over-Current Protection**

1.5A max @AC 90V~264V. Auto restart

**DC Output Connector**

USB A:

Pin 1 = V<sub>o</sub> +

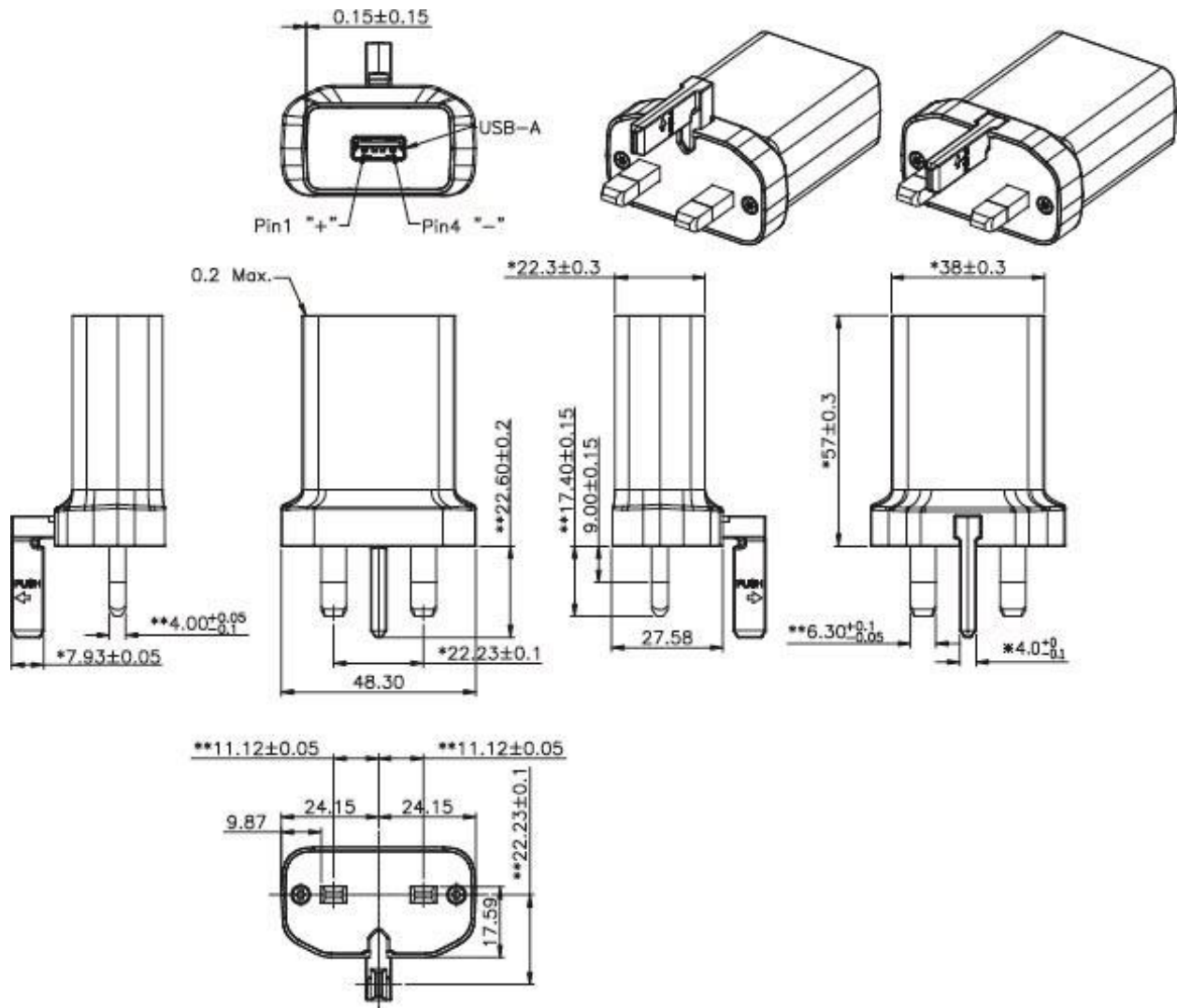
Pin 2 = 2-Pin and 3-Pin Short

Pin 3 = 2-Pin and 3-Pin Short

Pin 4 = V<sub>o</sub> -**Notes:**

1. The characteristics defined are at ambient temperature of 25°C unless otherwise specified

**Dimension Diagram Unit: mm**





# USB Cables – Sold Separately

## Unit: mm

Part no: IP-USB1(C10)S	Desc: USB-A to Micro-B – 1 Meter – Black
Part no: IPUSB1CS	Desc: USB to Mini-B – 1.5 Meter – Black
Part no: IPUSB1MS	Desc: USB-A to Micro-B – 1.5 Meter – Black
Part no: IPUSB1M5LD	Desc: USB-A to Micro-B – 24AWG – Low Drop – 1.5 Meter – Black
Part no: IPUSB1P5	Desc: USB-A to Micro-B – 1 Meter – 24AWG – Black
Part no: IPUSB1P5W	Desc: USB-A to Micro-B – 1 Meter – 24AWG – White

Part no: IPUSB1MSW

Desc: USB-A to Micro-B – 1.5 Meter – White

