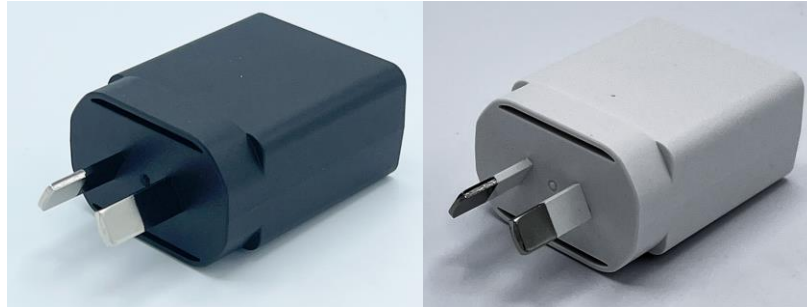




5W USB Medical Grade Adapter - AU



Features

- Meets AS/NZS 4665.2:2005
- Data Pins 2 and 3 Shorted
- LPS Compliant
- OVP, OCP, SCP

Applications

- Blood Glucose Meters
- Blood Pressure Monitors
- Wearable Monitoring Devices

Safety Approvals

- AS/NSZ 62368.1

Mechanical Characteristics

- Length: 47mm (1.85in)
- Width: 38mm (1.50in)
- Height: 22.3mm (0.88in)

Output Specifications

Model	DC Output Voltage	Load		Ripple ¹ P-P (max.)	Regulation Line & Load	Case Color	Prong Type
		Min.	Max.				
MQ05S-050B-H ²	5V	0A	1A	200mV	±5%	Black	AU
MQ05S-050BW-H ²	5V	0A	1A	200mV	±5%	White	AU

Notes:

1. Measuring is done by 20MHz bandwidth oscilloscope and terminated each output with a 10uF aluminum electrolytic capacitor and a 0.1uF ceramic capacitor
2. Special order MOQ

Input:**AC Input Voltage Rating**

100 to 240Vac

AC Input Voltage Range

90 to 264Vac

AC Input Current

0.2A(RMS) max @115Vac/60Hz

0.15A(RMS) max @230Vac/50Hz

Leakage Current

100uA max at 264Vac/50Hz

Input Power Saving

≤75mW @115VAC/230VAC

Output:**Efficiency**

Meets AS/NZS 4665.2:2005

Environmental:**Temperature**

Operation -10°C to +45°C

Non-operation -40°C to +70°C

Operating Humidity 5% to 95% RH

Emissions

Complies with AS/NZS CISPR 32

Immunity

ESD EN61000-4-2

Contact: ±8KV; Air ±15KV

RS EN61000-4-3 3V/m

EFT EN61000-4-4 1KV

Surge EN61000-4-5

Line to Line: 1KV

DIP EN61000-4-11 Level 3

Dielectric Withstand (Hi-pot) Test

Pri. to Sec. 3000VAC, 10mA for 1 Minute

Insulation Resistance

Pri. to Sec.: 10M ohm, 500VDC, 1 Minute

FEATURES:**Over-Voltage Protection**

< 7.5V peak, at 0.05-1A Load. Auto restart

Short-Circuit Protection

Auto recovery and no component damage

Over-Current Protection

1.5A max @AC 90V~264V. Auto restart

DC Output Connector

USB A:

Pin 1 = Vo +

Pin 2 = 2-Pin and 3-Pin Short

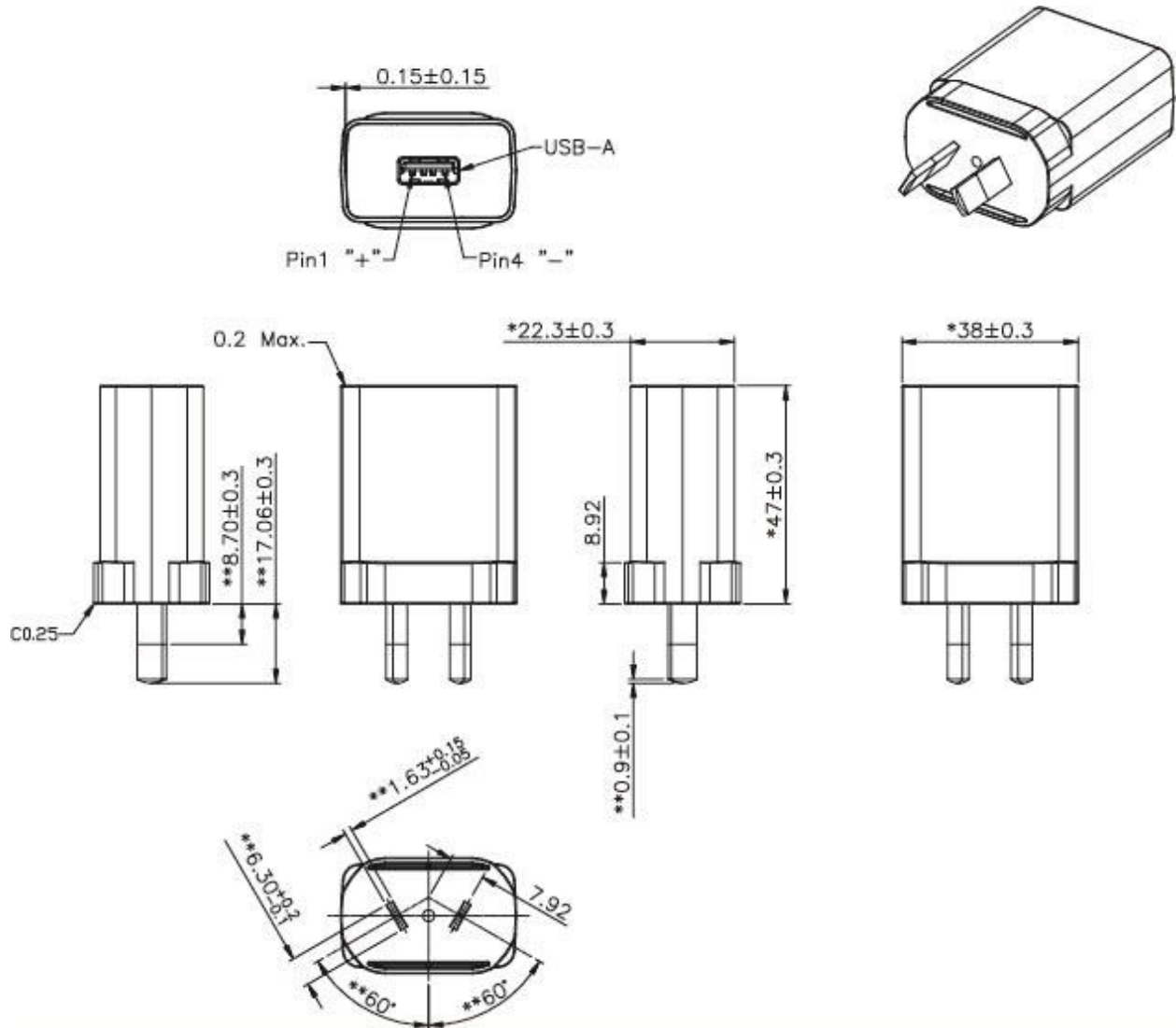
Pin 3 = 2-Pin and 3-Pin Short

Pin 4 = Vo -

Notes:

1. The characteristics defined are at ambient temperature of 25°C unless otherwise specified

Dimension Diagram Unit: mm





USB Cables – Sold Separately

Unit: mm

Part no: IP-USB1(C10)S	Desc: USB-A to Micro-B – 1 Meter – Black
Part no: IPUSB1CS	Desc: USB to Mini-B – 1.5 Meter – Black
Part no: IPUSB1MS	Desc: USB-A to Micro-B – 1.5 Meter – Black
Part no: IPUSB1M5LD	Desc: USB-A to Micro-B – 24AWG – Low Drop – 1.5 Meter – Black
Part no: IPUSB1P5	Desc: USB-A to Micro-B – 1 Meter – 24AWG – Black
Part no: IPUSB1P5W	Desc: USB-A to Micro-B – 1 Meter – 24AWG – White

Part no: IPUSB1MSW

Desc: USB-A to Micro-B – 1.5 Meter – White

