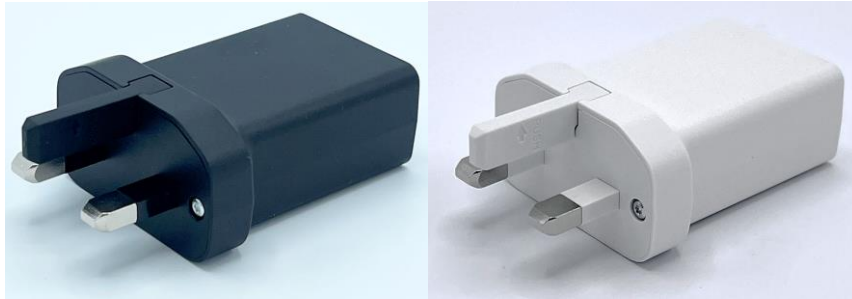




10W USB Medical Grade Adapter - UK



Features

- Meets CoC Tier 2
- MOOPx2 Classification
- Charging scheme: Data Lines (Pins 2 and 3) Shorted
- LPS Compliant
- OVP, OCP, SCP
- IP22 Rating

Applications

- Blood Glucose Meters
- Blood Pressure Monitors
- Wearable Monitoring Devices

Safety Approvals

- IEC 60601-1
- IEC 60601-1-11

Mechanical Characteristics

- Length: 57mm (2.24in)
- Width: 48.3mm (1.90in)
- Height: 27.58mm (1.09in)

| Model | DC Output Voltage | Load | | Ripple ² P-P (max.) | Regulation Line & Load ¹ | Case Color | Prong Type |
|----------------------------|-------------------|-------------------|------|--------------------------------|-------------------------------------|------------|------------|
| | | Min. ¹ | Max. | | | | |
| MQ10K-050B-H ³ | 5V | 0.02A | 2A | 150mV | ±5% | Black | UK |
| MQ10K-050BW-H ³ | 5V | 0.02A | 2A | 150mV | ±5% | White | UK |

Notes:

1. Voltage regulation +3.2%/-6.76% at less than 0.02A load.
2. Measuring is done by 20MHz bandwidth oscilloscope and terminated each output with a 10uF aluminum electrolytic capacitor and a 0.1uF ceramic capacitor
3. Special order MOQ

Input:**AC Input Voltage Rating**

100 to 240Vac

AC Input Voltage Range

90 to 264Vac

AC Input Current

0.28A(RMS) max @115Vac/60Hz

0.16A(RMS) max @230Vac/50Hz

Leakage Current

100uA max @ 264Vac/50Hz

Input Power Saving

≤75mW @115Vac/230Vac

Output:**Efficiency**

Meets COC V5 Tier 2

Environmental:**Temperature**

Operation -10°C to +45°C

Non-operation -40°C to +70°C

Relative Humidity 5% to 95% RH

Emissions

Complies with EN 60601-1-2

Complies with EN 55011

Immunity

ESD EN61000-4-2

Contact: ±8KV; Air ±15KV

RS EN61000-4-3 3V/m

EFT EN61000-4-4 1KV

Surge EN61000-4-5

Line to Line: 1KV

DIP EN61000-4-11 Level 3

Dielectric Withstand (Hi-pot) Test

Pri. to Sec. 3000VAC, 10mA for 1 Minute

Insulation Resistance

Pri. to Sec.: 10M ohm, 500VDC, 1 Minute

FEATURES:**Over-Voltage Protection**

≤ 8V

Short-Circuit Protection

Auto recovery and no component damage

Over-Current Protection

3A max @AC 90V~264V

DC Output Connector

USB A:

Pin 1 = V_o +

Pin 2 = 2-Pin and 3-Pin Short

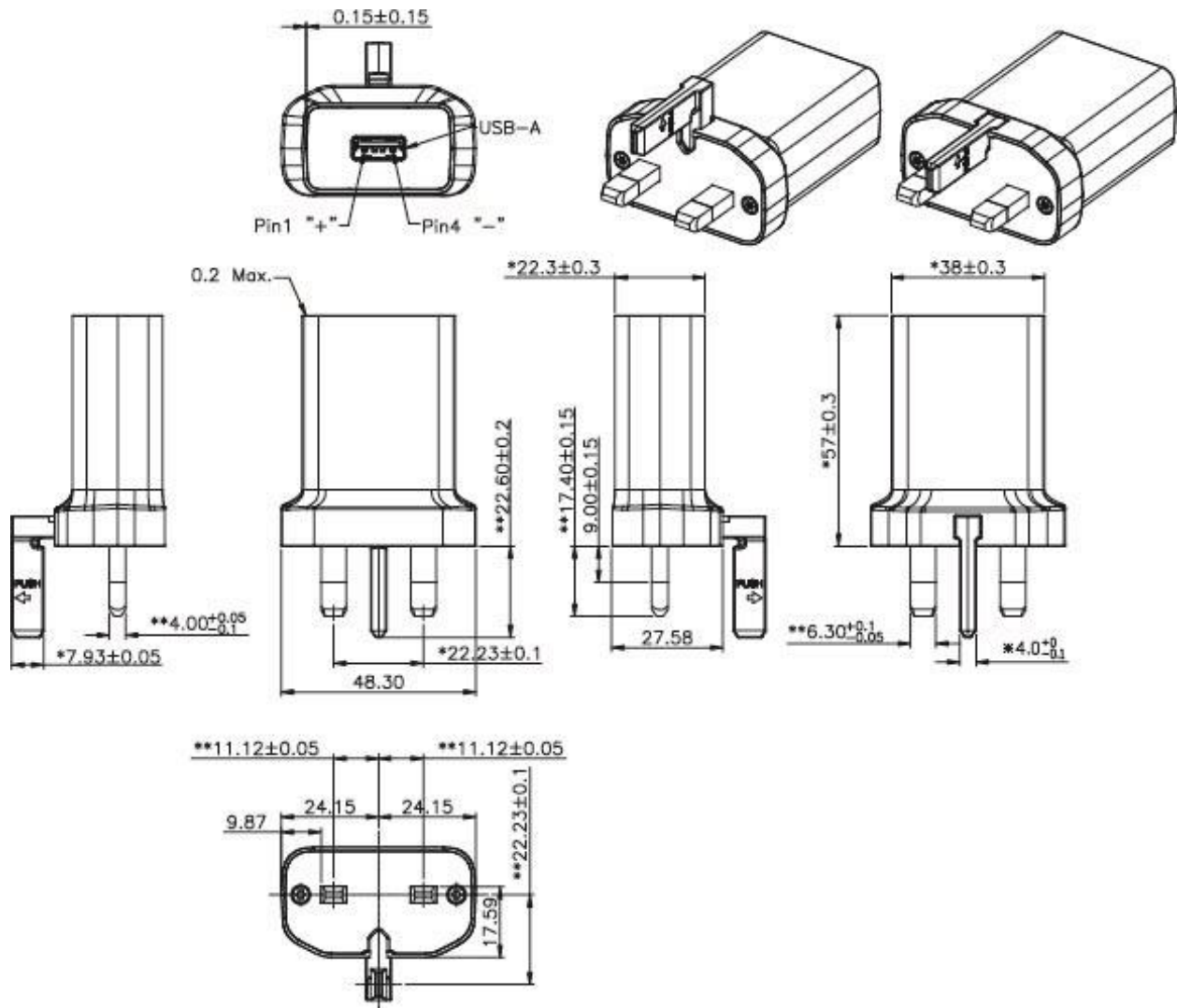
Pin 3 = 2-Pin and 3-Pin Short

Pin 4 = V_o -

Notes:

1. The characteristics defined are at ambient temperature of 25°C unless otherwise specified

Dimension Diagram Unit: mm





USB Cables – Sold Separately

Unit: mm

| | |
|------------------------|---|
| Part no: IP-USB1(C10)S | Desc: USB-A to Micro-B – 1 Meter – Black |
| | |
| Part no: IPUSB1CS | Desc: USB to Mini-B – 1.5 Meter – Black |
| | |
| Part no: IPUSB1MS | Desc: USB-A to Micro-B – 1.5 Meter – Black |
| | |
| Part no: IPUSB1M5LD | Desc: USB-A to Micro-B – 24AWG – Low Drop – 1.5 Meter – Black |
| | |
| Part no: IPUSB1P5 | Desc: USB-A to Micro-B – 1 Meter – 24AWG – Black |
| | |
| Part no: IPUSB1P5W | Desc: USB-A to Micro-B – 1 Meter – 24AWG – White |
| | |

Part no: IPUSB1MSW

Desc: USB-A to Micro-B – 1.5 Meter – White

