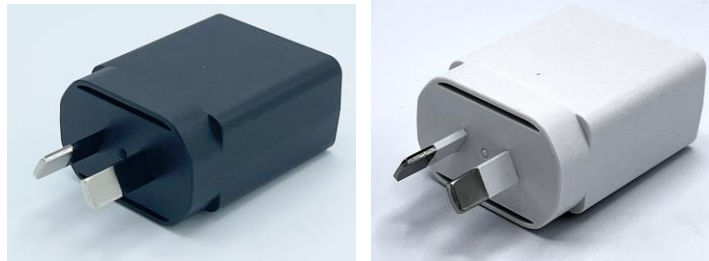




## 10W USB Medical Grade Adapter - AU



### Features

- Meets AS/NZS 4665.2:2005
- Pins 2 and 3 Shorted
- OVP, OCP, SCP
- LPS Compliant

### Applications

- Blood Glucose Meters
- Blood Pressure Monitors
- Wearable Monitoring Devices

### Safety Approvals

- AS/NSZ 62368.1

### Mechanical Characteristics

- Length: 47mm (1.85in)
- Width: 38mm (1.50in)
- Height: 22.3mm (0.88in)

Model	DC Output Voltage	Load		Ripple <sup>2</sup> P-P (max.)	Regulation Line & Load <sup>1</sup>	Case Color	Prong Type
		Min. <sup>1</sup>	Max.				
MQ10K-050B-H <sup>3</sup>	5V	0.02A	2A	150mV	±5%	Black	AU
MQ10K-050BW-H <sup>3</sup>	5V	0.02A	2A	150mV	±5%	White	AU

Notes:

1. Voltage regulation +3.2%/-6.76% at less than 0.02A load.
2. Measuring is done by 20MHz bandwidth oscilloscope and terminated each output with a 10uF aluminum electrolytic capacitor and a 0.1uF ceramic capacitor
3. Special order MOQ

**Input:****AC Input Voltage Rating**

100 to 240Vac

**AC Input Voltage Range**

90 to 264Vac

**AC Input Current**

0.28A(RMS) max @115Vac/60Hz

0.16A(RMS) max @230Vac/50Hz

**Leakage Current**

100uA max @ 264Vac/50Hz

**Input Power Saving**

≤75mW @115Vac/230Vac

**Output:****Efficiency**

AS/NZS 4665.2:2005 Compliant

**Environmental:****Temperature**

Operation -10°C to +45°C

Non-operation -40°C to +70°C

Relative Humidity 5% to 95% RH

**Emissions**

Complies with AS/NZS CISPR 32

**Immunity**

ESD EN61000-4-2

Contact: ±8KV; Air ±15KV

RS EN61000-4-3 3V/m

EFT EN61000-4-4 1KV

Surge EN61000-4-5

Line to Line: 1KV

DIP EN61000-4-11 Level 3

**Dielectric Withstand (Hi-pot) Test**

Pri. to Sec. 3000VAC, 10mA for 1 Minute

**Insulation Resistance**

Pri. to Sec.: 10M ohm, 500VDC, 1 Minute

**FEATURES:****Over-Voltage Protection**

≤ 8V

**Short-Circuit Protection**

Auto recovery and no component damage

**Over-Current Protection**

3A max @AC 90V~264V

**DC Output Connector**

USB A:

Pin 1 = V<sub>o</sub> +

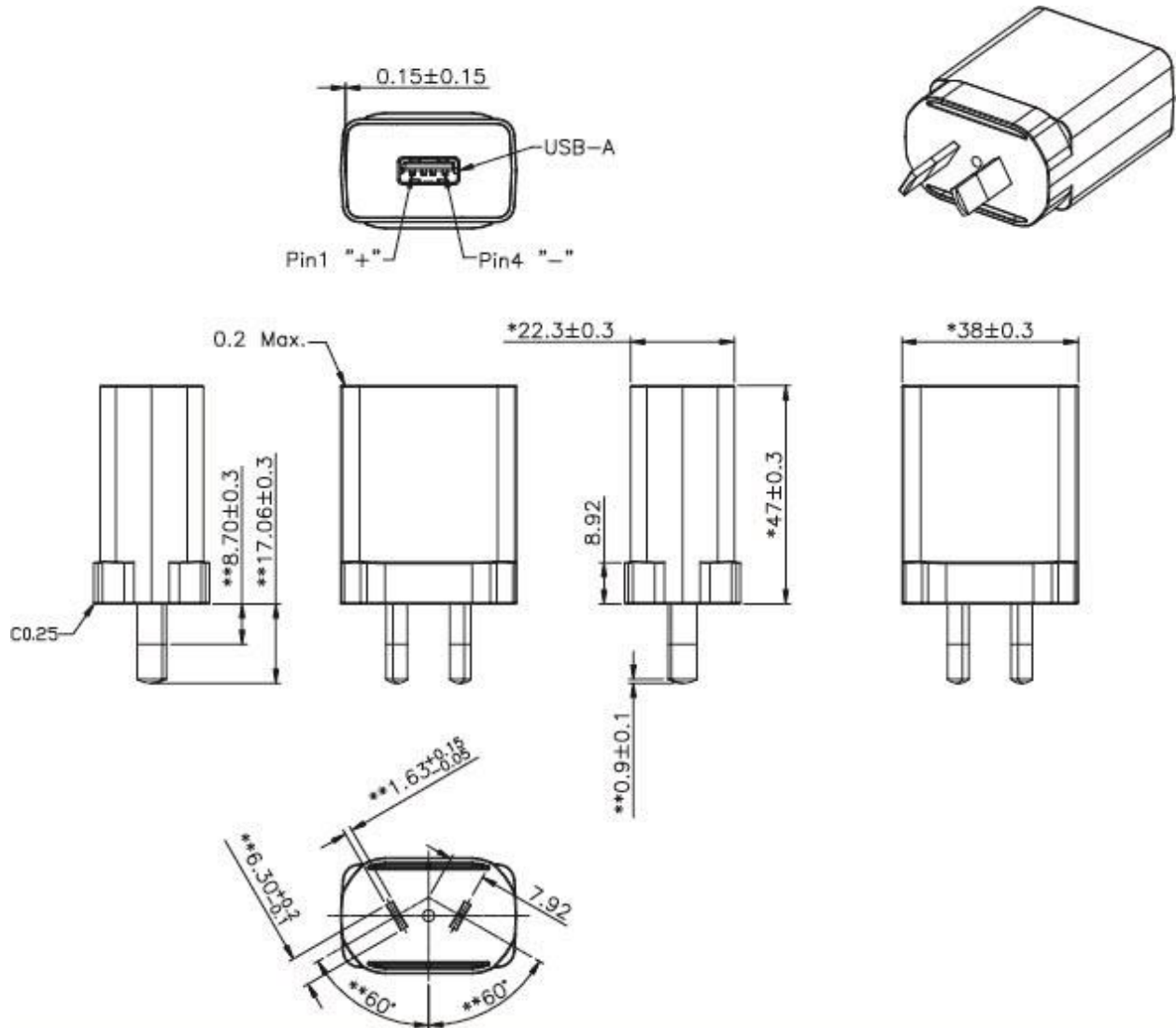
Pin 2 = 2-Pin and 3-Pin Short

Pin 3 = 2-Pin and 3-Pin Short

Pin 4 = V<sub>o</sub> -**Notes:**

1. The characteristics defined are at ambient temperature of 25°C unless otherwise specified

Dimension Diagram Unit: mm





# USB Cables – Sold Separately

## Unit: mm

Part no: IP-USB1(C10)S	Desc: USB-A to Micro-B – 1 Meter – Black
Part no: IPUSB1CS	Desc: USB to Mini-B – 1.5 Meter – Black
Part no: IPUSB1MS	Desc: USB-A to Micro-B – 1.5 Meter – Black
Part no: IPUSB1M5LD	Desc: USB-A to Micro-B – 24AWG – Low Drop – 1.5 Meter – Black
Part no: IPUSB1P5	Desc: USB-A to Micro-B – 1 Meter – 24AWG – Black
Part no: IPUSB1P5W	Desc: USB-A to Micro-B – 1 Meter – 24AWG – White

Part no: IPUSB1MSW

Desc: USB-A to Micro-B – 1.5 Meter – White

