



10W Medical Grade Adapter with Interchangeable Plugs*



*Plugs sold separately

Features

- DoE Level VI & CoC V5 Tier 2
- Field Changeable AC Plugs
- 2XMOPP Isolation
- Class II
- Suitable for BF applications with system consideration
- LPS compliant
- IP21rating
- OVP, OCP, SCP, OTP, brown-in and brown-out protections

Applications

- Home healthcare equipment
- Patient monitor
- Portable medical devices
- ECG machine
- Respirator

Approvals and Certifications

- ANSI/AAMI ES 60601-1
- CAN/CSA C22.2 No.60601-1
- IEC60601-1-2:2014(4TH Edition)
- IEC60601-1-6:2010 + AMD1:2013
- IEC 60601-1:2005 + A1:2012 (Edition 3.1)
- IEC60601-1-11:2015
- IEC62366:2007 + A1:2014

Mechanical Characteristics

- Length: 71.7mm (2.82in)
- Width: 50mm (1.97in)
- Height: 40mm (1.57in)

Output Specifications

Model	DC Output Voltage	Load		Ripple ¹ P-P (max.)	Regulation Line & Load
		Min.	Max.		
PMA10R-050AW-R	5V	0A	2A	100mV	±5%

Notes:

1. Test by 20Mhz bandwidth mode hi resolution with 10uF and 0.1uF capacitor
2. The characteristics defined are at ambient temperature of 25°C unless otherwise specified

Phihong is not responsible for any error, and reserves the right to make changes without notice. Please visit our website at www.phihong.com for the most up-to-date specifications and contact information.

Input:**AC Input Voltage Rating**

115 to 230V AC

AC Input Voltage Range

90 to 264V AC

AC Input Frequency

47 to 63Hz

Input Current

0.3A max at 100VAC

Leakage Current

<100uA at 264VAC/50Hz

Inrush Current

60A maximum at 240V AC

(Cold start & at input rated voltage +/-10%)

Output:**Efficiency**

DOE Level VI

CoC V5 tier 2

Environmental:**Temperature**

Operation 5 to +40°C

Non-operation -25 to +70°C

Relative Humidity 93% RH Max

Emissions

Complies with CISPR 11 Class B

Immunity

ESD: EN 61000-4-2,

RS : EN61000-4-3

EFT/Burst : EN61000-4-4

Surge: EN 61000-4-5

CS : EN61000-4-6

Power Frequency Magnetic Field: EN61000-4-8

Voltage Dips : EN61000-4-11

Over-Voltage Protection

9V maximum

Short-Circuit Protection

The power supply shall be protected when operating any output in overload condition, or when operating any output in a short. The power supply shall be self-recovering when the fault condition is removed circuit condition.

Over-Current Protection

The power supply will be protected when output power at 2.3A(RMS) of all rated dc output

Over-Temperature Protection

Over-temperature protection sensor

Dielectric Withstand (Hi-pot) Test

Pri. to Sec. >4000VAC 10mA for 1 Minute

DC Output Connector

DC plug type 5.5 x 2.1 x 10mm (fork & groove)

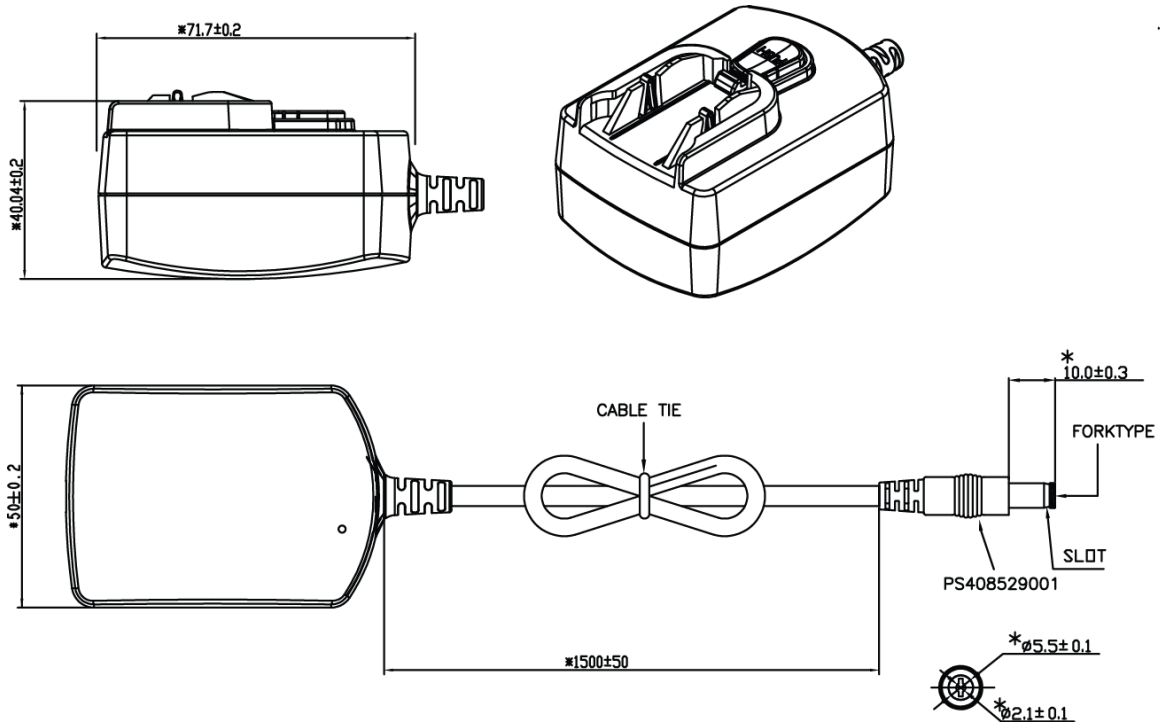
DC plug pin assignment:

Inner (+V), Outer GND(-)

Medical AC Input Clips (sold separately):

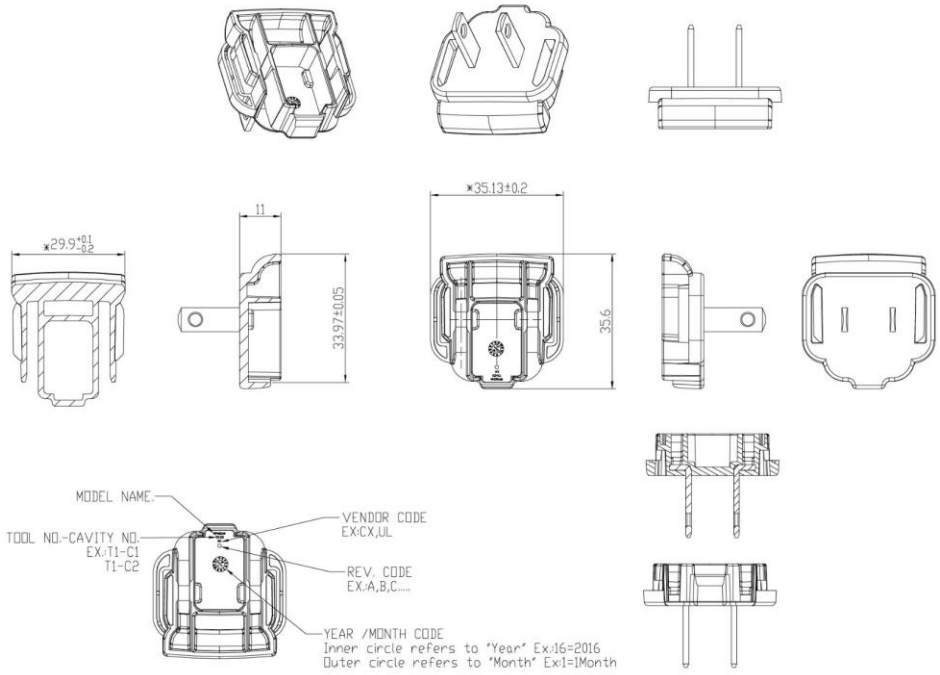
Part no:	Description:
RPA-MAB1W	US – white
RPB-MAB1W	Brazil – white
RPE-MAB1W	Euro – white
RPH-MAB1W	Korea – white
RPK-MAB1W	UK – white
RPN-MAB1W	Argentina – white
RPS-MAB1W	AU – white

Dimension Diagram Unit: mm

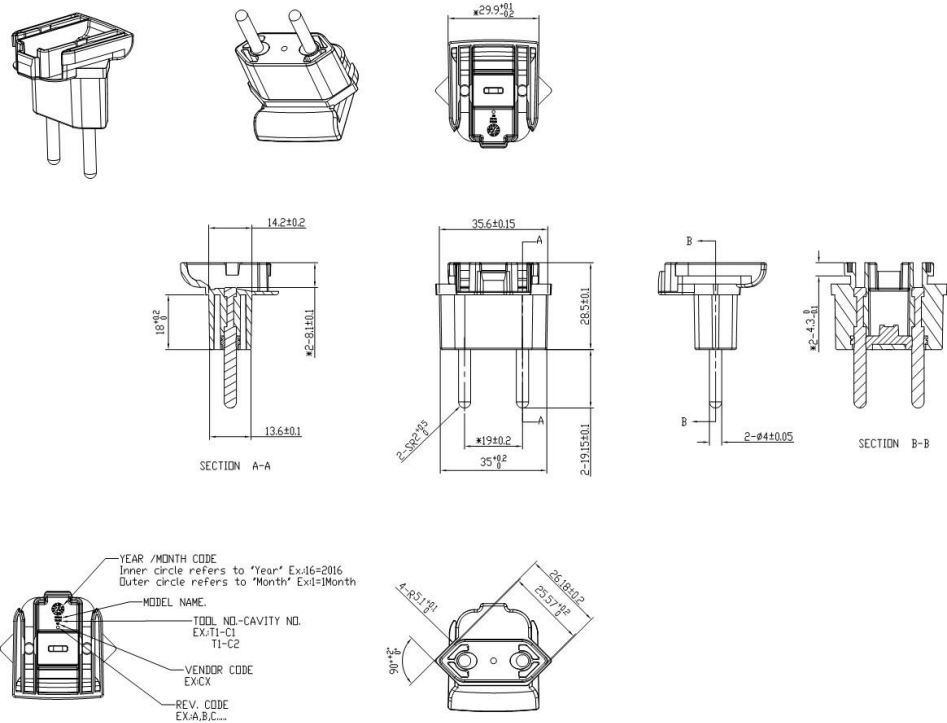


AC Input Clips (sold separately)

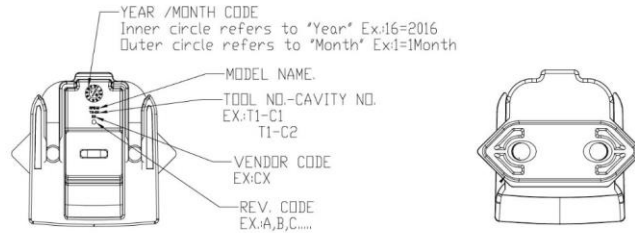
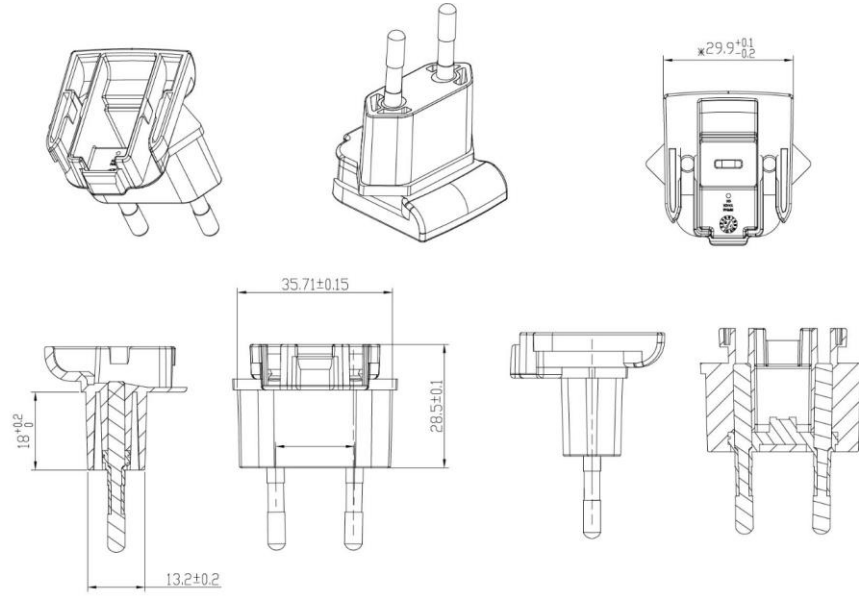
RPA-MAB1W:
US – white



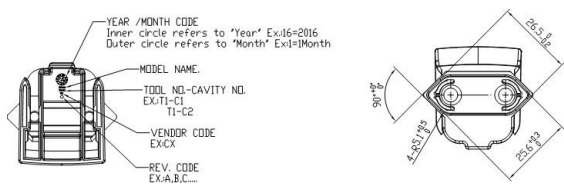
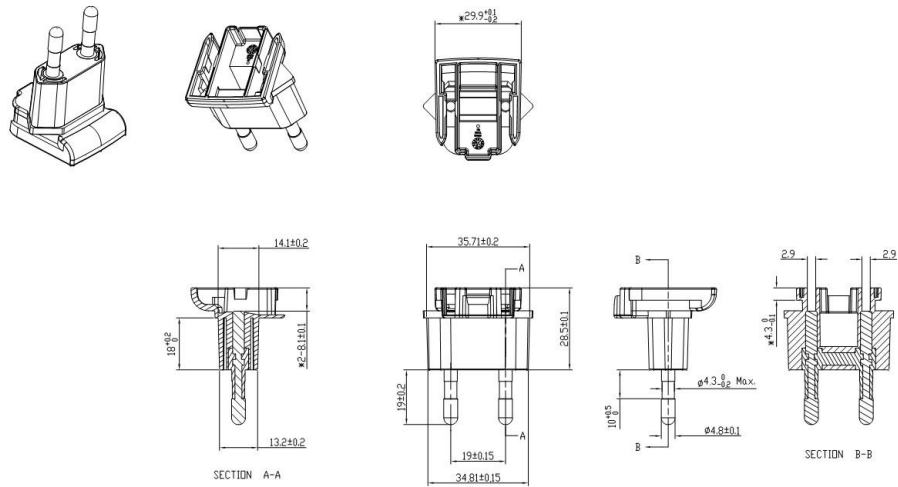
RPB-MAB1W:
Brazil – white



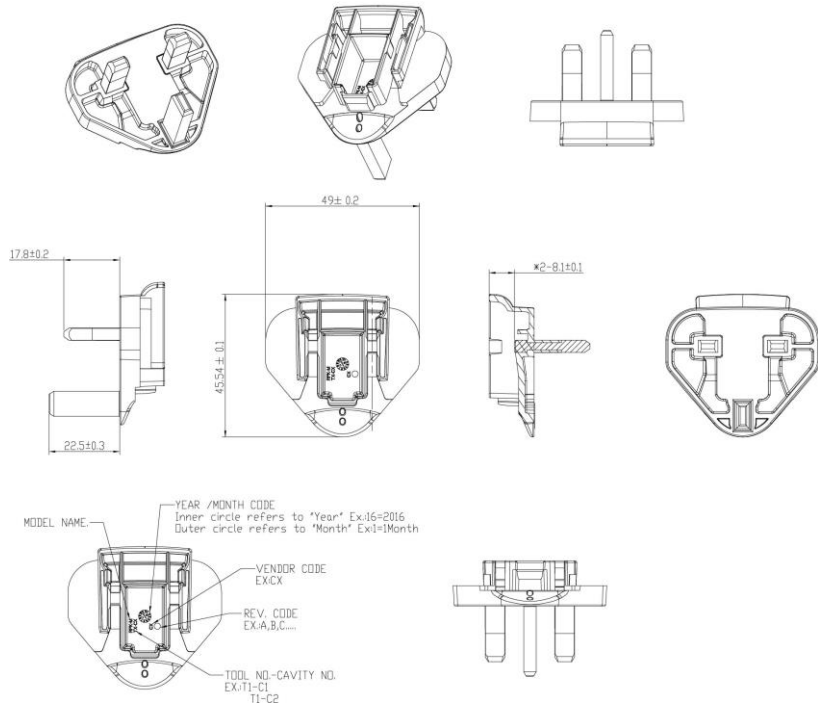
RPE-MAB1W:
Euro – white



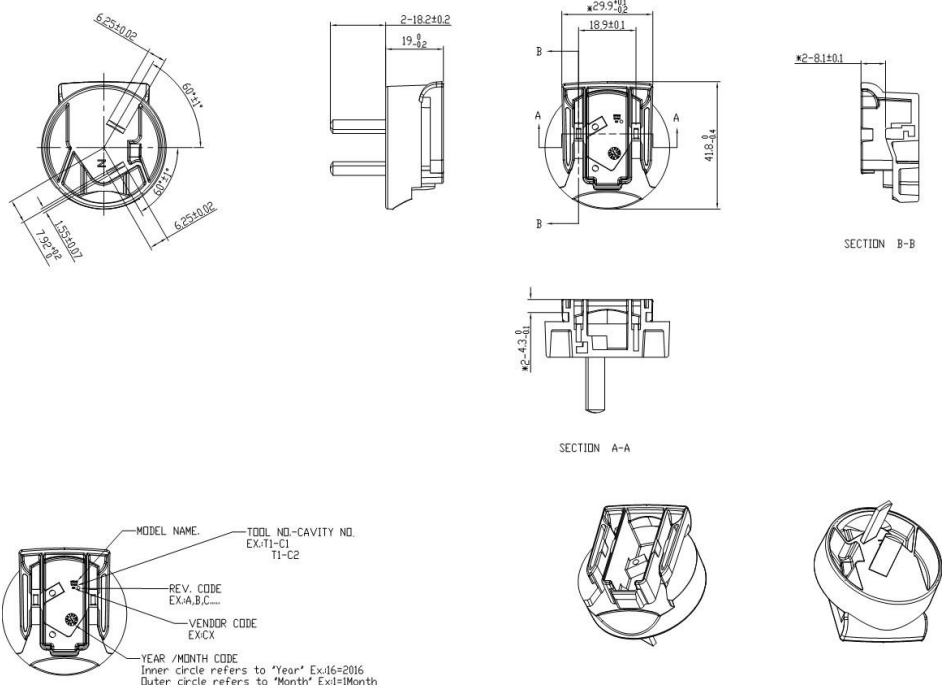
RPH-MAB1W:
Korea – white



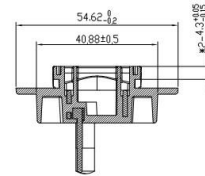
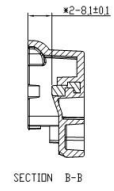
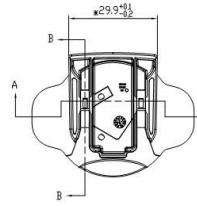
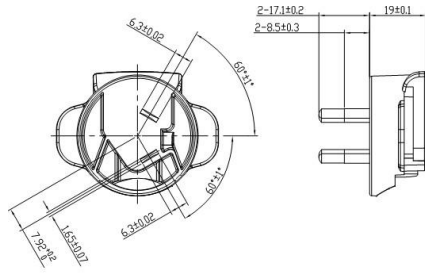
RPK-MAB1W:
UK – white



RPN-MAB1W:
Argentina – white



RPS-MAB1W:
Australia – white



SECTION A-A

