

# POE30U-PSA5660-R



## 30W Passive High Surge PoE Injector



### Features

- Meets 6kV L-L and 6kV L-PE Surge; 6kV Output Surge
- DoE Level VI Compliant
- Supports up to 5G Data Transfer Speed
- Non-Vented Case
- Full Protection Over-Current & Over-Voltage Protection
- Short Circuit Protection
- Limited Power Source (LPS)
- 1-year Warranty

### Applications

- Video Conference Phones
- Security Cameras
- Wireless Access Points
- RFID Readers
- Thin Clients

### Description

Phihong POE30U-PSA5660-R passive high surge Power-over-Ethernet (PoE) injector is a reliable solution designed to meet the demands of modern networking infrastructure. This injector serves as a vital component in PoE systems, offering robust power delivery alongside data transmission over Ethernet cables — meeting 6kV Line-to-Line, 6kV L-to-Earth IEC61000-4-5 surge and 6kV output surge.

Phihong, a reputable manufacturer known for its high-quality power solutions, has integrated safeguards such as short circuit protection, over-current protection and over-voltage protection into the injector, providing peace of mind for user applications.

# POE30U-PSA5660-R



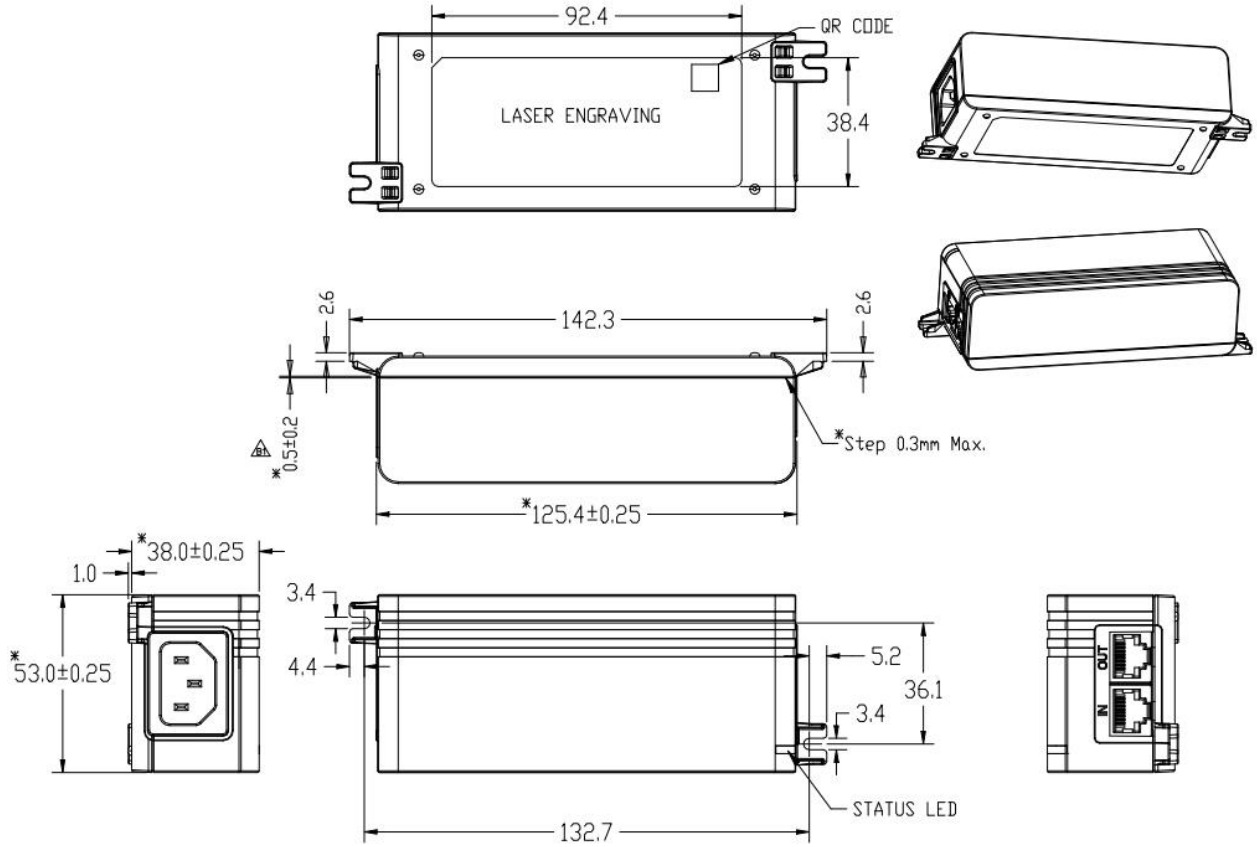
## Specifications<sup>1</sup>

Model		POE30U-PSA5660-R <sup>2</sup>
Output	DC Output Voltage	56.0V
	Output Current Minimum Load	10mA
	Max Current	0.536A
	Output Power	30W
	Data Speed	5G
	Regulation <sup>3</sup>	53-57V
	Ripple & Noise P-P(max) <sup>4</sup>	200mV
Input	AC Input Voltage Range	90 to 264VAC
	AC Input Frequency	47 to 63Hz
	Input Current	0.8 Arms maximum at 90VAC @Max. load
	No Load Power Consumption at 115VAC Input	≤ 0.100W
	No Load Power Consumption at 230VAC Input	≤ 0.100W
	115VAC Average Efficiency <sup>5</sup>	≥ 87%
	230VAC Average Efficiency <sup>5</sup>	≥ 87%
	Leakage Current	0.25mA Max @ 264VAC/50Hz
Protections	Over-Voltage	Non-latching
	Over-Current	< 750mA
	Short Circuit	The output can be shorted permanently. Non-latching
	Surge	IEC61000-4-5: 6kV L-L, 6kV L-PE; 6kV Output
Environmental	Operating Temperature	-20°C to +45°C
	Non-Operating Temperature	-20°C to +70°C
	Operating Humidity	10 to 90% RH max
Safety and EMC Standards (Designed to meet...)	Dielectric Withstand (HI-POT)	4242VDC for 1 minute, 10mA
	Insulation Resistance	Primary to secondary: >10M Ohm 500VDC
	Standards	cULus 62368-1, CAN/CSA C22.2 No.62368-1, IEC 62368-1
	EMI Emissions	FCC Part 15 Class B, CAN ICES-003(B)/NMB-003(B), EN 55032/CISPR 32 Class B Conducted and Radiated
	Harmonic Current Emissions	IEC 61000-3-2
	Voltage Fluctuations & Flicker	IEC 61000-3-3
	Immunity	EN 55035/CISPR 35: IEC 61000-4-2 (Contact: ±8kV, Air: ±15kV), IEC 61000-4-3 (3V), IEC 61000-4-4 (1kV Input/0.5kV Output), IEC 61000-4-5 (6kV L-L/6kV L- PE), IEC 61000-4-6 (3V), IEC 61000-4-11
Mechanical	Dimensions (L x W x H)	125mm (4.92in) x 53.0mm (2.08in) x 38.0mm (1.49in)
	Input Connector	IEC320 C14
	Output Connector	Shielded RJ45 +3, 6, 4, 5 / -1, 2, 7, 8
	LED Indications	Green Solid: Power Good, Green LED Slow Blink: No Connection, Green LED Fast Blink: No Load, Green/Yellow Fast Blink: Fault Detected, Yellow Solid w/ Green Blink: Over/Short Current Detected
Notes	<ol style="list-style-type: none"> <li>The specifications defined are at ambient temperature of 25°C, unless otherwise specified.</li> <li>Special order model. Minimum order quantity applies.</li> <li>Voltage to be measured within 5cm of the output RJ45 connector.</li> <li>Measured within 2 inches of RJ45 with by-pass capacitors 01uf/10uF at output connector terminal &amp; oscilloscope set at 20MHz.</li> <li>Efficiency is measured after 30 minutes burn-in.</li> </ol>	

# POE30U-PSA5660-R



## Outline Drawing (mm)





**Supplier's Declaration of Conformity  
47 CFR § 2.1077 Compliance Information**

MODELS

POE30U-PSA5660-R




Phihong USA Corporation  
47800 Fremont Boulevard  
Fremont, CA 94538  
Telephone: (510) 445-0100  
[www.phihong.com](http://www.phihong.com)

*This device complies with part 15 of the FCC Rules. Operation is subject to the following two conditions: (1) This device may not cause harmful interference, and (2) this device must accept any interference received, including interference that may cause undesired operation.*

# C14 Line Cords



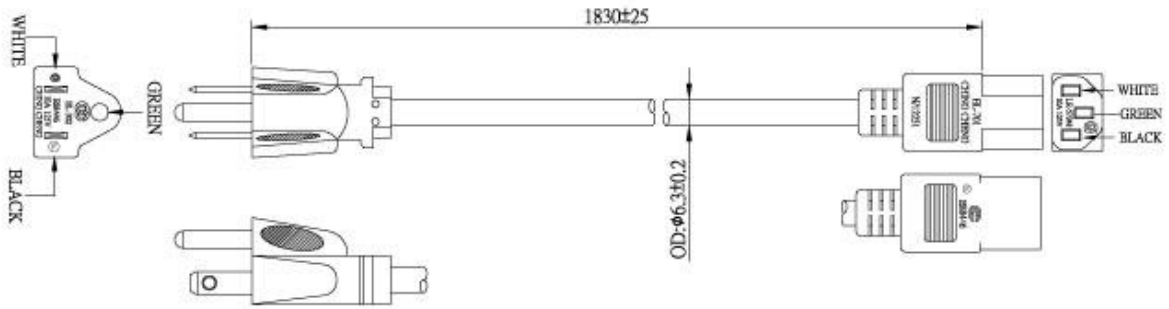
Sold Separately

Model		AC30UNA-R	AC30UEU-R	AC30UUK-R
Specifications	Plug Type	North America NEMA 5-15P	Continental Europe CEE 7VIII	United Kingdom BS 1363
	Connector	IEC320 C13	IEC320 C13	IEC320 C13
	Wire Size	18 AWG	0.75mm	1.0mm
	Temperature	60°C	60°C	70 °C
	Amperage Rating	10A	6A	10A
	Voltage Rating	125V	250V	250V
	Cable Length	1830mm	1830mm	2500mm
Safety Approvals		CSA; UL	CEBEC; DEMKO; DVE; FIMKO; GOST; IMQ; KEMA; NEMKO; NF; OVE; SEMKO	BSI; Safety Mark
Photos				

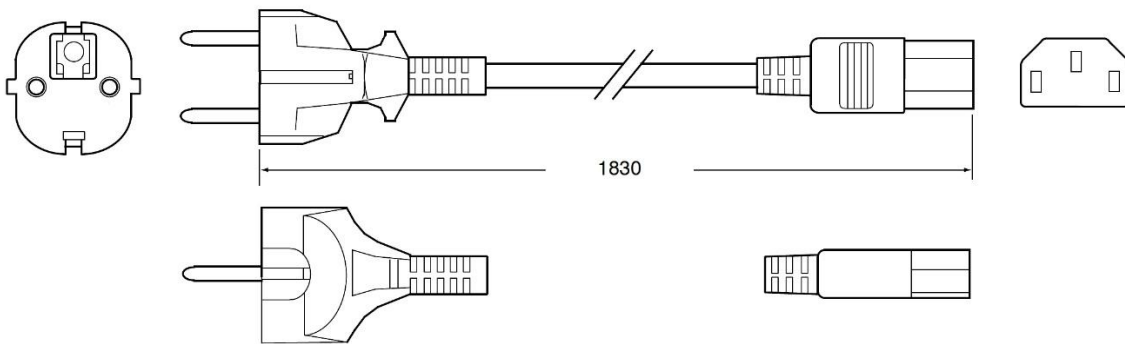
# C14 Line Cords

## Outline Drawing (mm)

### AC30UNA-R



### AC30UEU-R



### AC30UUK-R

