



## 48W DC-DC Power-over-Ethernet Splitter POE48-120BT Gigabit IEEE802.3bt Compliant Splitter



### Features

- Compliant with the IEEE802.3bt Standard
- Power On LED
- Gigabit Compatible
- Full Protection (OTP, OCP, OVP)
- Works with any layer 1 IEEE802.3bt Power Sourcing Equipment
- Non-Vented Case
- 1 Year Warranty

### Applications

- IP Cameras
- Thin Clients
- Information Kiosks
- Point of Sales

### Safety Approvals

- CE
- UKCA

### Mechanical Characteristics

- Length: 163.25mm (6.43in)
- Width: 65mm (2.56in)
- Height: 36mm (1.42in)
- Weight: 0.2Kg (0.44lb)

### Output Specifications

Model	DC Output Voltage	Output Current
POE48-120BT-R	12V +/-0.4V	4.0A

Notes:

1. Can only be used with unshielded cables

**INPUT:****Input Voltage Range**

44 – 57VDC

Receives power from data and spare pairs

**Input Current**

1.6A maximum

**OUTPUT:****Regulation**Line and Load  $\pm 2\%$ **Ripple**

120mVp-p @ 25C

**Efficiency**

&gt; 84%

**Over Current Protection**

&gt; 8A (Hiccup Mode / Auto-Restart),

&gt; 6A if output voltage &lt; 11.6V

**Short Circuit Protection**

Auto-Restart (Hiccup Mode)

**Over Voltage Protection**

16VDC

**ENVIRONMENTAL****Temperature**

Operation -10 to +40°C

Non-operation -20 to +65°C

Humidity 5 to 90% RH

**Operating Altitude**

10,000 feet maximum

**Immunity**

ESD: EN61000-4-2 Level 3 (8kV Air, 6kV Contact)

RS: EN61000-4-3 Level 2 (3V/m)

**EMC**

Complies with FCC Class B

Complies with EN55032 Class B

**Dielectric withstand (HI-POT) Test**

Primary to secondary: 2121VDC for 1 second

**Insulation Resistance**

Primary to secondary: &gt;10M Ohm 500VDC

**FEATURES:****Indicators**

LED#1 Blue "POWER ON"

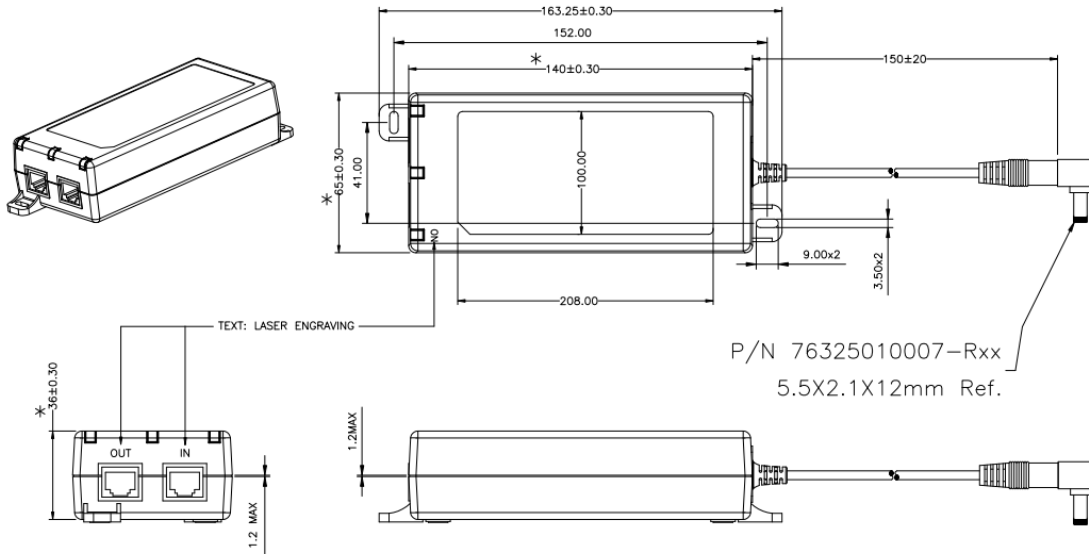
**Input and Output Data Connector**

RJ45

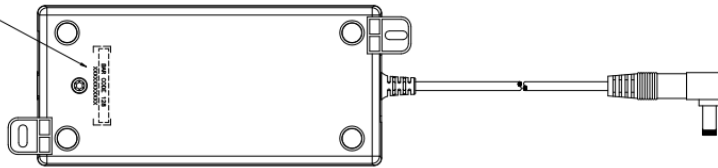
**Output Connector**

2.1mm x 5.5mm x 12mm barrel center positive

Dimension Diagram Unit: mm



Note: Bar code must not cover the screw



PREL