



60W 3-in-1 Single Port Media Converter IEEE802.3bt Compliant Power Injector



Features

- Compliant with IEEE802.3bt/at/af Standard
- 60W POE Power
- Extends Ethernet to 200 Meters with copper, (can be even more with Fiber)
- Standard SFP Module Input
- Converts SFP to POE (converts fiber to copper)
- Gigabit Compatible
- 4 Pair Powering +3,6,4,5 / - 1,2,7,8
- Non-Vented Case
- Limited Power Source
- Full Protection OVP, OCP
- Single Source 4 Pair Power Current Sharing
- 1 Year Warranty

Applications

- IP Telephones
- Wireless Access Points
- Bluetooth® Access Points
- Security Cameras
- IP Print Servers
- WiMAX® Access Points

Safety Approvals

- cUL/UL 60950-1 & 62368-1
- CE

Mechanical Characteristics

- Length: 183.77mm (7.24in.)
- Width: 80mm (3.15in.)
- Height: 50mm (1.97in.)
- Weight: 1.7Kg (3.75lbs)

Output Specifications

Model	AC Input	DC Output Voltage	Load		Regulation ¹	
			Min.	Max. ²	Line	Load
POE60S-1BT-R	IEC320(C14)	56V	<20mA	1.07A	+56VDC +1V/-2V (54-57VDC)	

Notes:

1. Voltage measured within 2" of the output RJ45 connector on data pairs 3,6(+) and 1,2(-) at 25°C
2. Combined output on data pairs and spare pairs. Otherwise 535mA on data pairs 3,6(+) 1, 2(-) and spare pairs 4,5(+) 7,8(-)

Phihong is not responsible for any error, and reserves the right to make changes without notice. Please visit our website at www.phihong.com for the most up-to-date specifications and contact information.

INPUT:**AC Input Voltage Range**

90VAC to 264VAC

AC Input Voltage Rating

100 to 240VAC

AC Input Current

2.0A (RMS) max for 90VAC

1.0A (RMS) max for 240VAC

Leakage Current

3.5mA max @ 254VAC/50Hz

AC Inrush Current

40A (RMS) max for 115VAC

80A (RMS) max for 230VAC

OUTPUT:**Total Output Power**

60W @40°C

Output Ripple

500mV max @25°C

Efficiency

75% (typical) at max load

Hold-up Time

16mS min. 120VAC/60Hz max load

ENVIRONMENTAL:**Temperature**

Operation -10°C to +45°C @60W
 +45°C to +55°C @30W

Humidity 5 to 90%

EMI

FCC Part 15 Class A

EN55032/22 Class A

EN50121-4

IEC 62236-4

Immunity

ESD: IEC61000-4-2. Level 3

RS: IEC61000-4-3. Level 3

EFT: IEC61000-4-4. Level 3

Surge: IEC61000-4-5. Level 3

CS: IEC61000-4-6. Level 3

PFMF: IEC61000-4-8 Level 5

Voltage Dips IEC61000-4-11

Harmonic: IEC61000-3-2 Class A

Insulation Resistance

Pri. to Sec.: >10M OHM 500VDC

Pri. to F.G.: >10M OHM 500VDC

Dielectric withstand(HI-POT) test

Pri. to Sec.: 4242VDC for 1min 10mA

Pri. to F.G.: 2121VDC for 1min, 10mA

FEATURES:**Over Current Protection**

1350mA max

Over Voltage Protection

120VDC max

LED Indicators**Led #1**

Blinking GREEN – Unit is “ON” Active with No Load

Solid GREEN – Unit has detected a Valid IEEE802.3at/IEEE802.3af Load/IEE802.3bt

Solid RED – Unit is in Over Load Condition or Unit has detected an Invalid Load

Led #2

Solid GREEN = AC Power Good

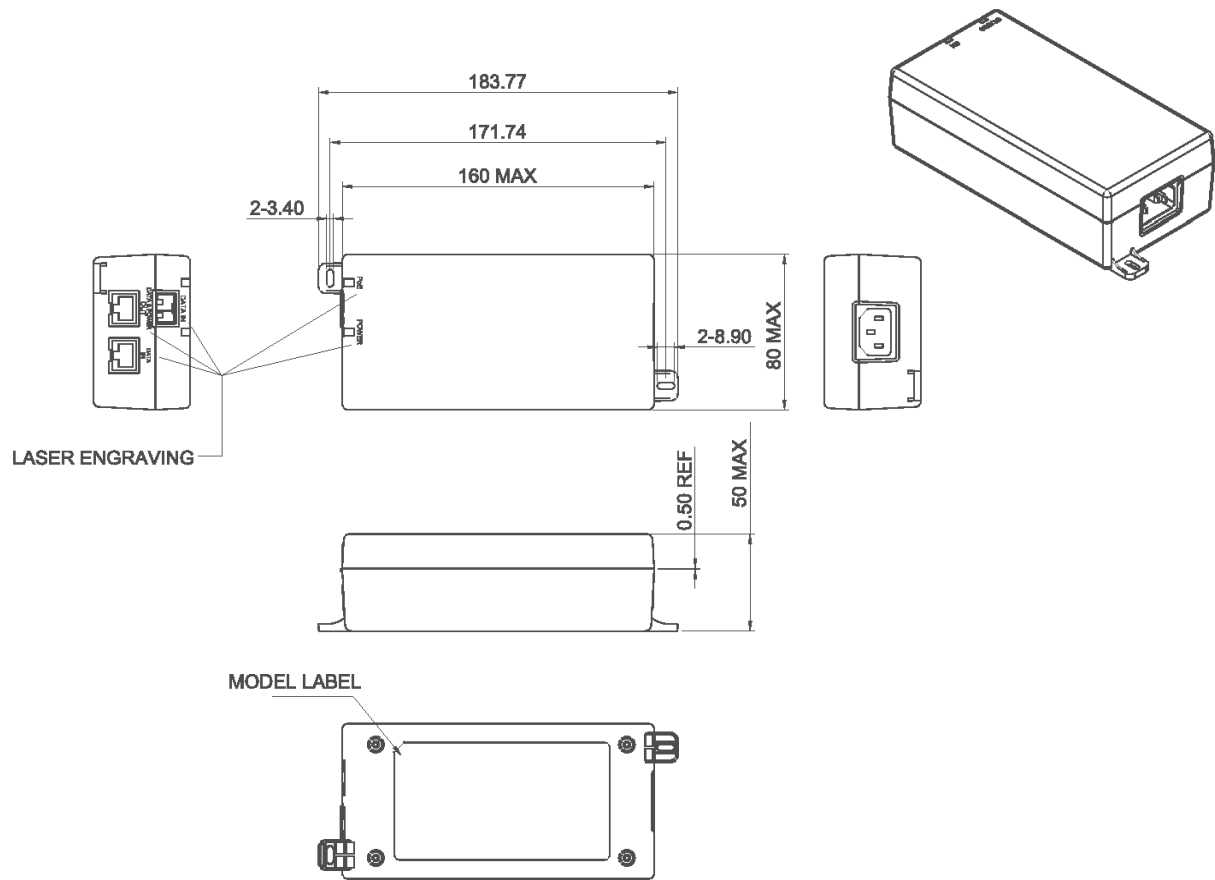
Input Connector

IEC320 inlet 3 pin(C14)

Output Connection

+pins 3,6,4,5 / -pins 1,2,7,8

Dimension Diagram Unit:mm



**Supplier's Declaration of Conformity
47 CFR § 2.1077 Compliance Information**

Phihong USA Corporation
47800 Fremont Boulevard
Fremont, CA 94538
Telephone: (510) 445-0100
www.phihong.com

MODEL: POE60S-1BT-R

This device complies with part 15 of the FCC Rules. Operation is subject to the following two conditions: (1) This device may not cause harmful interference, and (2) this device must accept any interference received, including interference that may cause undesired operation.