



# 60W High Surge Power-over-Ethernet IEEE802.3bt Power Injector



## Features

- Compliant with IEEE802.3bt Standard
- Compliant with Phihong Proprietary 12.5K Detection
- 4 Pair Powering +3, 4, 5, 6/ -1, 2, 7, 8
- Non-Vented Case
- Multi-Gigabit Data Rates (1G, 2.5G, 5G, 10G) Models Available
- DoE Level VI Compliant
- Full Protection OCP, OVP
- Limited Power Source (LPS)
- 1-year Warranty

## Applications

- IP telephones
- Wireless Network Access Points
- Security Cameras
- Bluetooth® Access Points
- WiMAX® Access Points



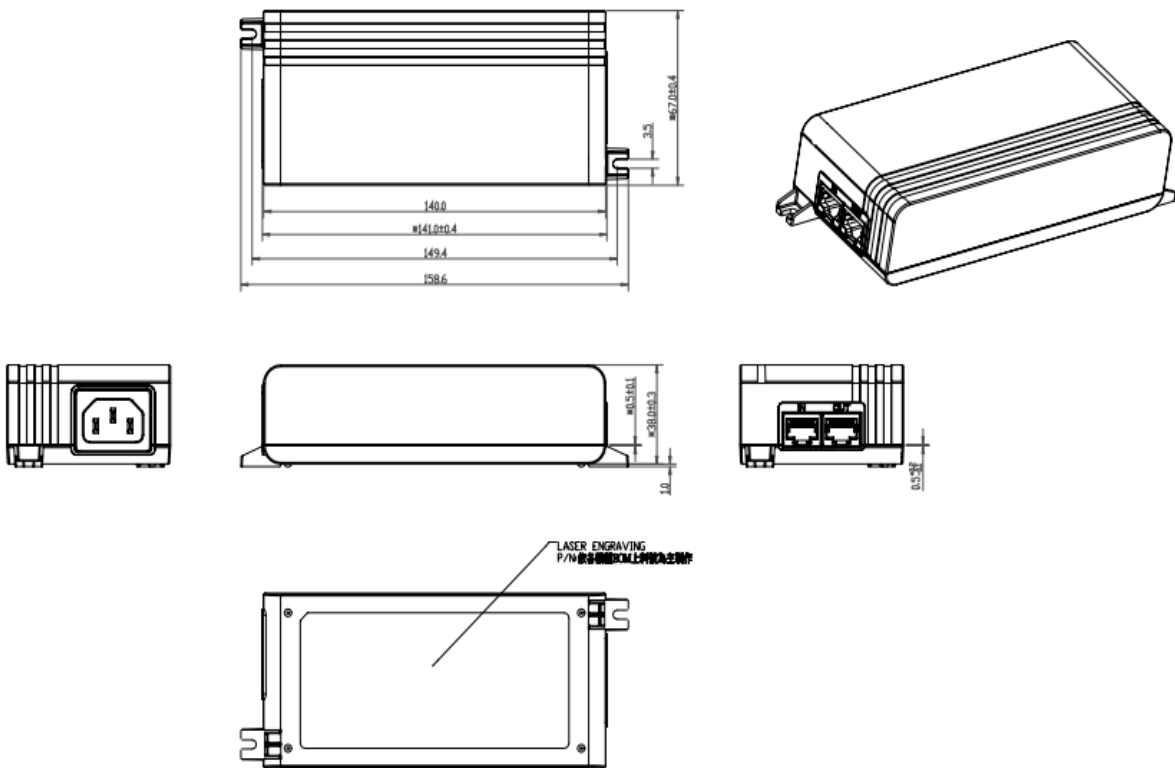
# POE60U-BTAX660-R Specifications<sup>1</sup>

Model		POE60U-BTA1660-R	POE60U-BTA2660-R	POE60U-BTA5660-R	POE60U-BTAX660-R
Output	DC Output Voltage	56.0V			
	Max Current	1.07A			
	Output Power	60W @40°C; 30W @50°C			
	Data Speed	1G	2.5G	5G	10G
	Regulation	53-57VDC			
	Ripple & Noise P-P(max) <sup>2</sup>	200mV			
	Output Current Minimum Load	10mA			
Input	AC Input Voltage Range	90 to 264VAC			
	AC Input Frequency	47 to 63Hz			
	Input Current	1.5 (RMS) max for 90VAC			
	No Load Power Consumption at 115VAC Input	≤ 0.21W			
	No Load Power Consumption at 230VAC Input	≤ 0.21W			
	115VAC Average Efficiency <sup>3</sup>	≥ 88%			
	230VAC Average Efficiency <sup>3</sup>	≥ 88%			
	Leakage Current	3.5mA max at 264VAC/50Hz			
Protections	Over-Voltage	Non-latching			
	Over-Current	Output #1 <650mA; Output #2 <650mA; Output #1 and #2 <1300mA; Output #1 and #2 (12.5K) <1500mA			
	Short Circuit	The output can be shorted permanently. Non-latching			
	Surge	IEC 61000-4-5: 6kV L-L; 6kV L-PE (1.2/50 uS) Output: In Port 1kV, Out Port 6kV (10/70 uS)			
Environmental	Operating Temperature	-20°C to + 40°C			
	Non-Operating Temperature	-20°C to + 70°C			
	Operating Humidity	10 to 90% RH max			
Safety Approvals and EMC	Dielectric Withstand (HI-POT)	Primary to Secondary: 4242VDC for 1 min, 10mA Primary to Earth Ground: 2121VDC for 1 min, 10mA			
	Insulation Resistance	>10M ohm for 500VDC			
	Standards	cULus 62368-1, CAN/CSA C22.2 No.62368-1, IEC 62368-1, EN 62368-1			
	EMI Emissions	FCC Part 15 Class B, CAN ICES-003(B)/NMB-003(B), EN 55032/CISPR 32 Class B Conducted and Radiated			
	Harmonic Current Emissions	IEC 61000-3-2			
	Voltage Fluctuations & Flicker	IEC 61000-3-3			
	Immunity	EN 55035/CISPR 35: IEC 61000-4-2 (Contact: ±8KV, Air: ±15KV), IEC 61000-4-3 (3V), IEC 61000-4-4 (1kV Input/0.5kV Output), IEC 61000-4-5 (6kV L-L/6kV L-PE), IEC 61000-4-6 (3V), IEC 61000-4-11			
Mechanical	Dimensions (L x W x H)	140mm (5.12in) x 67.0mm (2.64in) x 38.0mm (1.49in)			
	Weight	270g			
	Input Connector	IEC320 C14			
	Output Connector	Shielded RJ45 (+3,4,5,6 / -1,2,7,8)			
	LED Indicators	Solid Green – Detection/Connection Valid & Output “ON” Blink Red (short, slow) – Waiting for Valid Connection/Detection Blink Red (long, fast) – Fault Condition (Over Current or Shorted) Blink Red & Green – Detection is Invalid			
Notes	<ol style="list-style-type: none"> <li>The specifications defined are at ambient temperature of 25°C, unless otherwise specified.</li> <li>20MHz bandwidth frequency oscilloscope, add a 0.1µF multilayer Cap. and Low ESR Electrolytic Cap. (10µF) at output connector terminals (nominal line voltage, full load).</li> <li>Efficiency is measured after 30 minutes burn-in.</li> </ol>				



# Outline Drawing

## POE60U-BTAx660-R








**Supplier's Declaration of Conformity**  
**47 CFR § 2.1077 Compliance Information**

Phihong USA Corporation  
47800 Fremont Boulevard  
Fremont, CA 94538  
Telephone: (510) 445-0100  
[www.phihong.com](http://www.phihong.com)

*This device complies with/The devices in this product series comply with part 15 of the FCC Rules. Operation is subject to the following two conditions: (1) This device may not cause harmful interference, and (2) this device must accept any interference received, including interference that may cause undesired operation.*



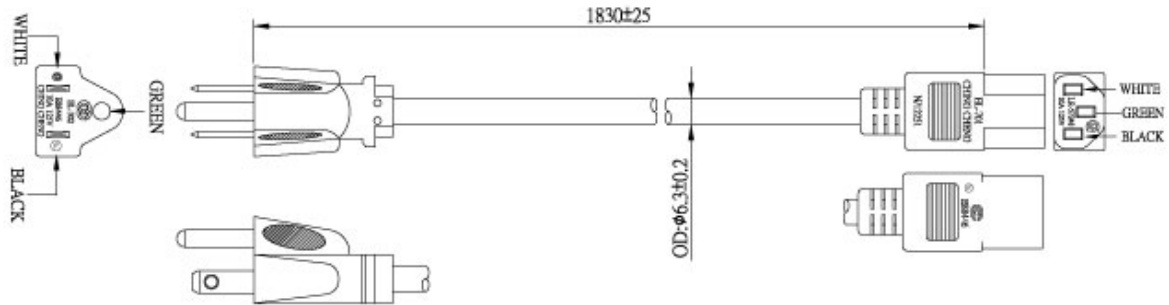
# C14 Line Cords - Sold Separately

Model		AC30UNA-R	AC30UEU-R	AC30UUK-R
Specifications	Plug Type	North America NEMA 5-15P	Continental Europe CEE 7VIII	United Kingdom BS 1363
	Connector	IEC320 C13	IEC320 C13	IEC320 C13
	Wire Size	18 AWG	0.75mm	1.0mm
	Temperature	60°C	70°C	70 °C
	Amperage Rating	10A	6A	10A
	Voltage Rating	125V	250V	250V
	Cable Length	1830mm	1830mm	2500mm
Safety Approvals		CSA; UL	CEBEC; DEMKO; DVE; FIMKO; GOST; IMQ; KEMA; NEMKO; NF; OVE; SEMKO	BSI; Safety Mark
Photos				

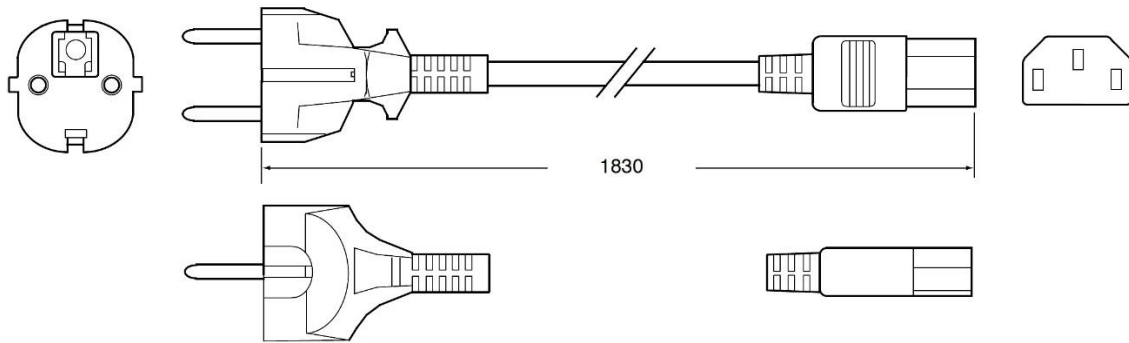


# C14 Line Cords Outline Drawings

**AC30UNA-R**



**AC30UEU-R**



**AC30UUK-R**

