



90W Single Port Multi-Gig Power over Ethernet Midspan IEEE802.3bt Compliant Power Injector



Features

- IEEE802.3bt Compliant
- Diagnostic LEDs
- Compliant with Phihong Proprietary 12.5K Detection
- 1 Year Warranty
- Gigabit Compatible
- Shielded DC Jacks
- 4 Pair Powering +3,6,4,5 / - 1,2,7,8
- Full Protection OCP, OVP
- Single Source 4 Pair Power Current Sharing
- Broken Wire Detection
- Limited Power Source
- DoE Level VI Compliant¹

Applications

- Satellite Receiver
- Wireless Network Access Points
- LCD Displays
- Security Cameras
- Kiosks
- Computer Workstations

Safety Approvals

- UL/cUL 60950-1
- UL/cUL 62368-1
- AS/NZ 62368²
- IEC60950-1
- IEC62368-1
- CE

Mechanical Characteristics (Standard Model)

- Length: 166mm (6.53in)
- Width: 80mm (3.15in)
- Height: 43.6mm (1.72in)
- Weight: 500g(1.1lbs)

Output Specifications

Model	Data Speed	DC Output Voltage	Load		Regulation ³	
			Min.	Max. ⁴	Line	Load
POE90U-1BT6-R	1G	56V	>10mA	1.6A	54-57V	
POE90U-1BT-N6-R ⁵	1G	56V	>10mA	1.6A	54-57V	
POE90U-1BT-2-R ⁶	2.5G	56V	>10mA	1.6A	54-57V	
POE90U-1BT-5-R	5G	56V	>10mA	1.6A	54-57V	
POE90U-1BT-X-R ⁶	10G	56V	>10mA	1.6A	54-57V	

Notes:

1. Except POE90U-1BT-N6-R
2. POE90U-1BT-2-R model only
3. Voltage measured within 2" of the output RJ45 connector on data pairs 3,6(+) and 1,2(-)
4. Combined output on data pairs and spare pairs. Otherwise 800mA on data pairs 3,6(+) 1, 2(-) and spare pairs 4,5(+) 7,8(-)
5. SNMP option. Special order MOQ
6. Special order MOQ

INPUT:**AC Input Voltage Range**

90 to 264VAC

AC Input Voltage Rating

100 to 240VAC, 47-63Hz

AC Input Current

2.5A (RMS) maximum for 90VAC

1.2A (RMS) maximum for 240VAC

Leakage Current

3.5mA maximum @ 264VAC 50Hz

AC Inrush Current

50A (RMS) maximum for 115VAC

75A (RMS) maximum for 230VAC

OUTPUT:**Total Output Power**

90W

Ripple and Regulation

200mV max @25C, 100-240VAC

Efficiency²

DOE Level VI

Hold-up Time

10mS min. 120VAC 60Hz max load

ENVIRONMENTAL:**Temperature**

Operation -20°C to +40°C

Non-operation -20°C to +65°C

Humidity 5 to 90%

EMC

Complies with FCC Class B

Complies with EN55032 Class B

Isolation Test

Primary to Secondary:

4242VDC for 1 minute 10mA

Primary to Field Ground:

2121VDC for 1 minute

Immunity

EN55024

IEC61000-3-2 (Harmonic) Class A

IEC61000-3-3

IEC61000-4-2 (ESD) 6KV Contact/8KV Air

IEC61000-4-3 (RS) 3V/m

IEC61000-4-4(EFT) 1KV Input 0.5KV Output

IEC61000-4-5 (Surge) 1KV L-L, 2KV L-PE

IEC61000-4-6 (CS) 3V

IEC 61000-4-8 1A/m

IEC61000-4-11 (Dips) Class 3

Insulation Resistance

Primary to Secondary: >10M OHM 500VDC

Primary to Field Ground: >10M OHM

500VDC

MTBF³

>150,000 Hours Min, Full Load, 115VAC

25°C

FEATURES:**Over Current Protection**

Output #1(OUT) <1000mA

Output #2(OUT) <1000mA

Output #1 and #2 combined(OUT) <2000mA

Over Voltage Protection

Voltage between 2 SELV conductors shall not

exceed 42.4Vpk or 60VDC for longer than

0.2seconds. Moreover a limit of 71Vpk or

120VDC shall not be exceeded. – Latching.

Short Circuit Protection

The output can be shorted permanently without damage

Notes:

1. The characteristics defined are at ambient temperature of 25°C unless otherwise specified
2. Efficiency is measured after 30 minutes burn-in
- 3.

LED Indicators

POE90U-1BT6-R, POE90U-1BT-N6-R :

No LED - Power failure
Blue LED On – Power ON
Red LED short/slow Blinking - POE power ready but no connection
Green LED solid - POE output power good
Red/Green LED alternate short blinking – POE detection failure
Red LED long/fast blinking – POE output over power or short
Green LED Blink – Invalid load condition

LED Indicators

POE90U-1BT-2-R, POE90U-1BT-5-R, POE90U-1BT-X-R:

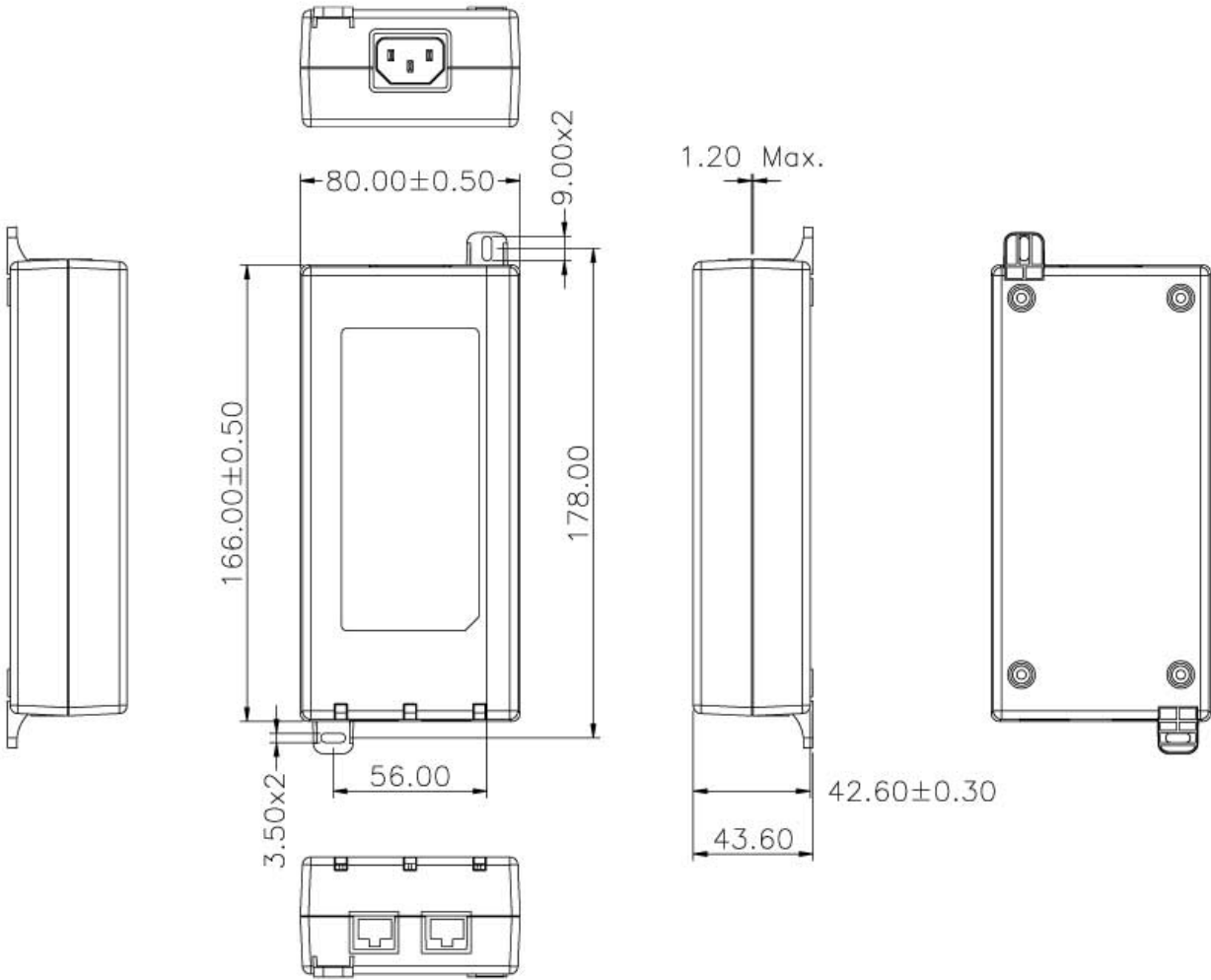
No LED - Power failure
Blue LED On – Power ON
Amber LED short/slow Blinking - POE power ready but no connection
Green LED solid - POE output power good
Amber/Green LED alternate short blinking – POE detection failure
Amber LED long/fast blinking - POE output over power or short
Green LED Blink – Invalid load condition

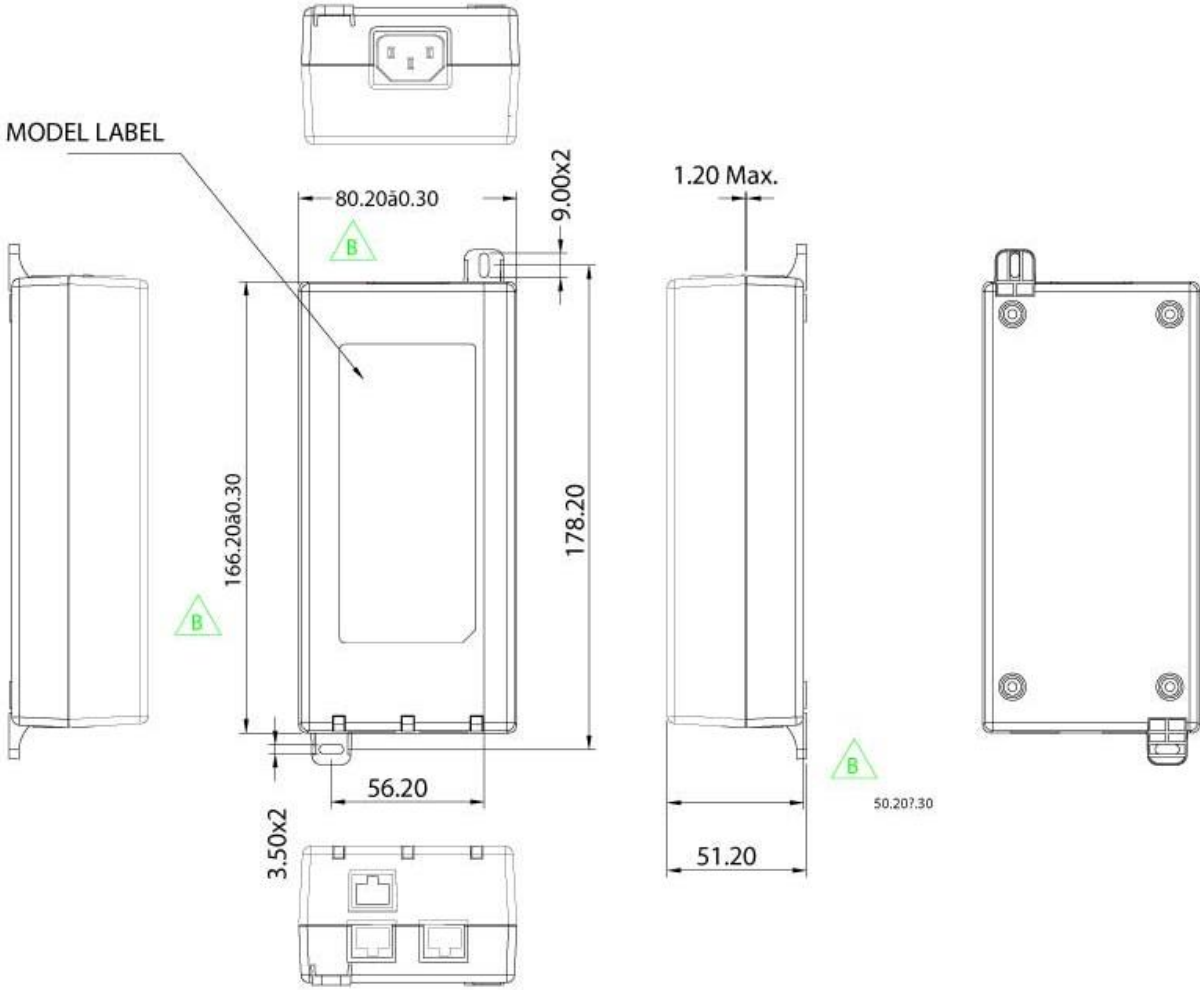
Input Connector

IEC320 inlet 3 pin

Output Connection

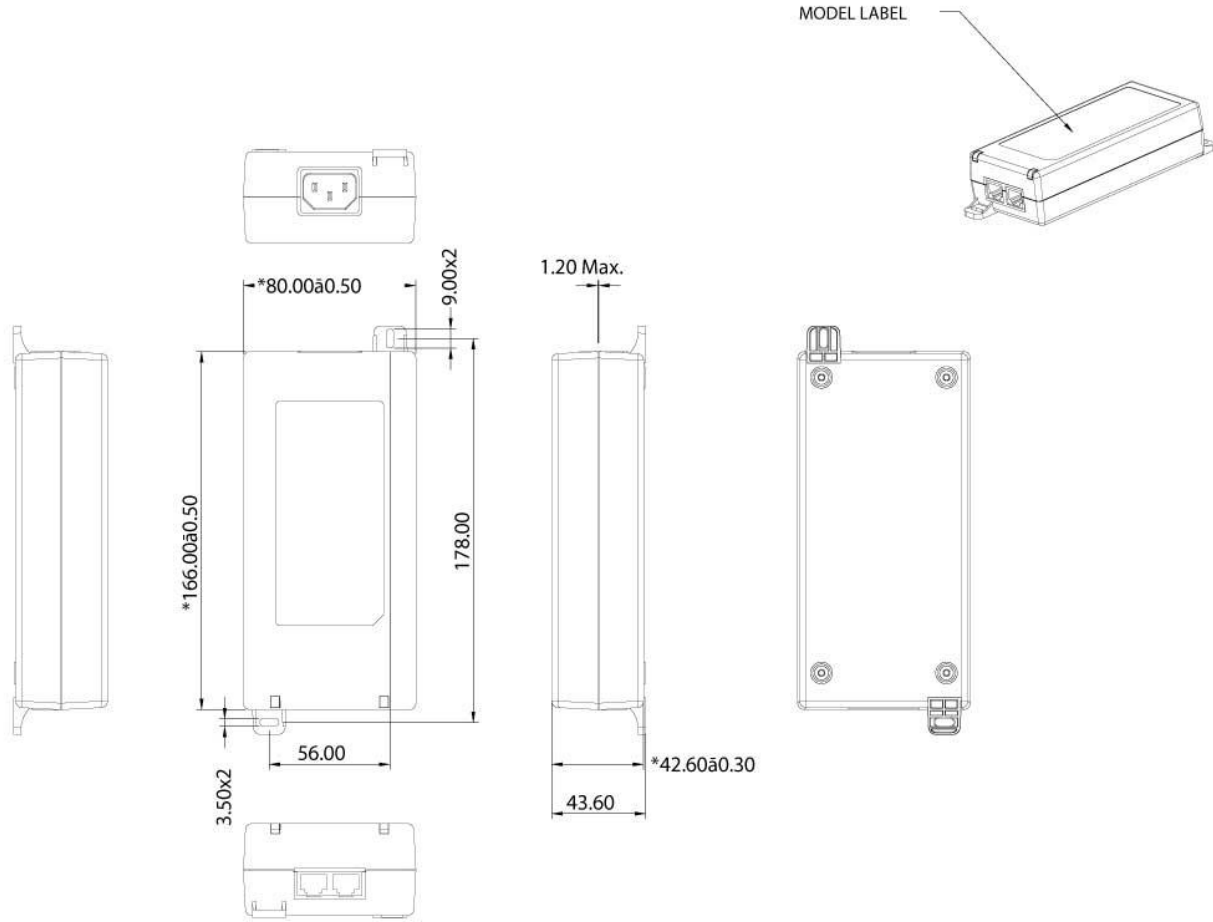
+pins 3,6,4,5 / -pins 1,2,7,8





Outline Diagram (mm)

POE90U-1BT-2-R, POE90U-1BT-5-R, POE90U-1BT-X-R





Supplier's Declaration of Conformity
47 CFR § 2.1077 Compliance Information

Phihong USA Corporation
47800 Fremont Boulevard
Fremont, CA 94538
Telephone: (510) 445-0100
www.phihong.com

This device complies with/The devices in this product series comply with part 15 of the FCC Rules. Operation is subject to the following two conditions: (1) This device may not cause harmful interference, and (2) this device must accept any interference received, including interference that may cause undesired operation.