



33W, IEEE802.3at Single Port PoE Active Injector



Features

- IEEE802.3at Complaint
- DOE VI Efficiency
- Australian GEMS Registered
- Compact Size
- Limited Power Source
- Three Wire Input
- Full Over-Voltage and Over-Current Protection
- Non-Vented Case
- 1 Year Warranty

Applications

- IP Telephones
- Wireless Access Points
- Bluetooth® Access Points
- Security Cameras
- IP Print Servers
- WiMAX® Access Points

Safety Approvals

- cUL/UL 62368-1
- cUL/UL, 60950-1
- UKCA
- BSMI
- CCC
- PSB
- C_ϕ
- CE
- IEC 62368-1
- RCM 62368-1
- KC+KCC
- EAC
- BIS

Mechanical Characteristics

- Length: 140.1mm (5.51in.)
- Width: 45.5mm (1.79in.)
- Height: 30mm (1.18in.)
- Weight: 0.2kg (7.05oz)

Output Specifications

Model	Data Speed	Output Power	DC Output Voltage	Load		Regulation ¹		Ripple ²
				Min.	Max.	Line	Load	
POEA33U-1ATE-R	1G	33W	55V	≤10mA	600mA	53-56V		200mV

Notes:

1. Voltage measured within 5cm of the output RJ45 connector on data pairs 3,6(+) and 1,2(-)
2. Measured with by-pass capacitors 0.1uF/10uF at output connector terminal and oscilloscope set at 20Mhz. 20 minutes warm-up required when operating at negative temperature.

INPUT:**AC Input Voltage Range**

90 to 264VAC

AC Input Current

0.8A (RMS) max

AC Input Frequency

47Hz to 63Hz

Leakage Current

3.5mA max @254V, 50Hz

Max In-rush Current70A max at 240VAC and max load
(Cold Start at ambient 25°C)**OUTPUT:****Output Power**33W @ -10°C to +40°C, de-rated to 15W at
50°C**Hold up Time**

10mSec min at max load at 120VAC, 60Hz

Efficiency²

DOE Level VI

ENVIRONMENTAL**Temperature**

Operating -10°C to +50°C

Non-operating -20°C to +70°C

Relative Humidity 5 to 90%

EMIEN55032 Class B, FCC part 15 Class B
AS/NZS CISPR 32 Class B**Immunities**

IEC61000-4-2 (ESD) 4KV Contact/8KV Air

IEC61000-4-3 (RS) 3V/m

IEC61000-4-4(EFT) 1KV Input, 0.5KV Output

IEC61000-4-5 (Surge) 1KV L-L, 2KV L-PE

IEC61000-4-6 (CS) 3V

IEC61000-4-11 (Dips) Class 3

IEC61000-3-2 (Harmonic) Class D

Isolation (HI-POT)

4242VDC for 1 minute, 10mA

Insulation Resistance

Primary to secondary:>10M Ohm 500VDC

MTBF

150,000 Hours Min @ Max Load 115VAC 25°C

FEATURES:**Over Voltage Protection**

120VDC. Non-latching

Over Current Protection

≤750mA

Short Circuit ProtectionNon-Latching auto recovery. Output can be
shorted permanently without damage**LED Indicators**

Green LED Slow Blinking – No connection

Green LED Fast Blinking – No Load

Green Solid – Power Good

Green/Yellow Fast Blink – Fault Detected

Yellow Solid with Green Blink – Over/Short
Current Detected**AC Input Connector**

IEC320 C14

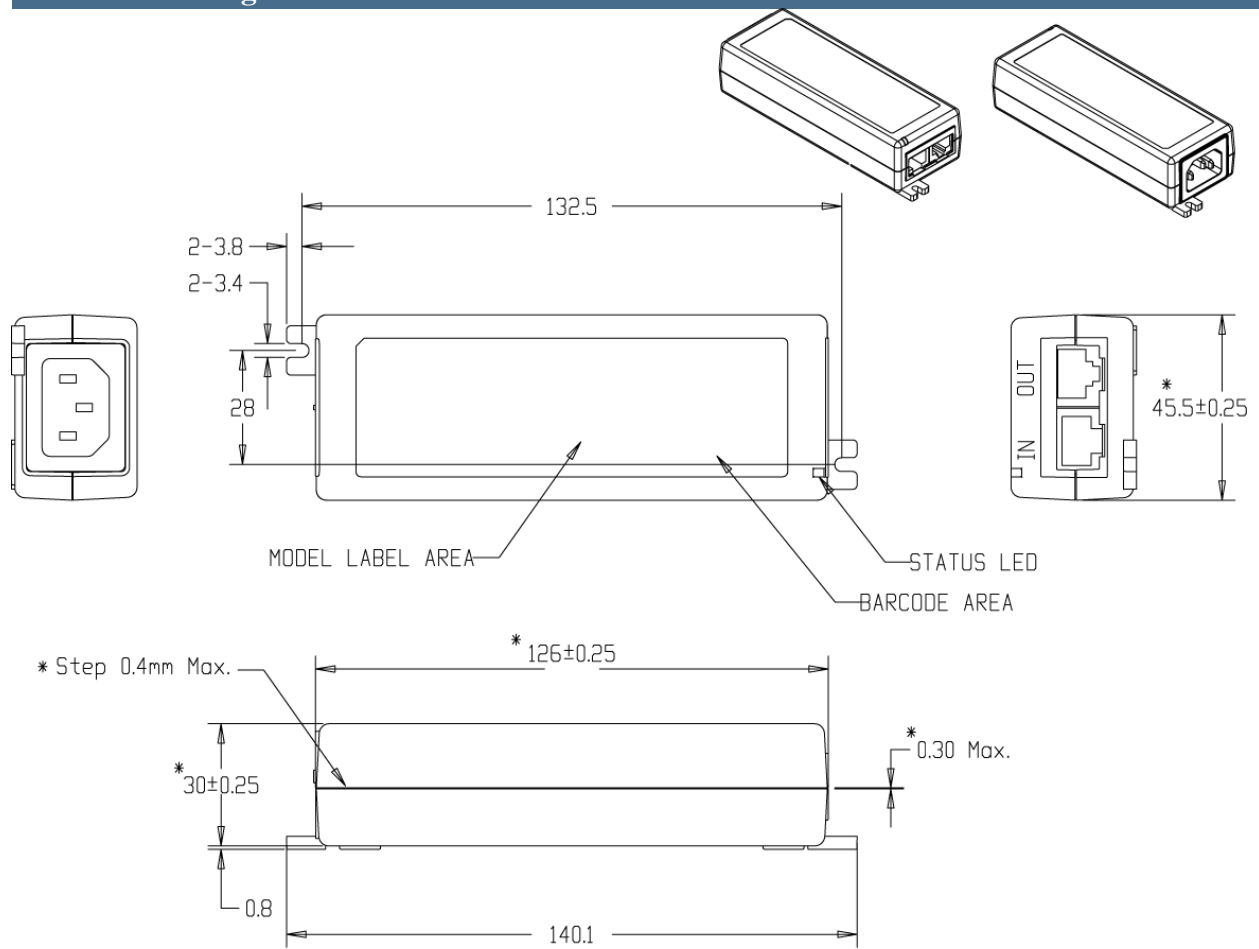
Output Connection

56VDC shielded RJ45 Pins 3&6

56VRTN shielded RJ45 Pins 1&2

Notes:

1. The characteristics defined are at ambient temperature of 25°C unless otherwise specified
2. Efficiency is measured after 30 minutes burn-in





Supplier's Declaration of Conformity
47 CFR § 2.1077 Compliance Information

Phihong USA Corporation
47800 Fremont Boulevard
Fremont, CA 94538
Telephone: (510) 445-0100
www.phihong.com

This device complies with/The devices in this product series comply with part 15 of the FCC Rules. Operation is subject to the following two conditions: (1) This device may not cause harmful interference, and (2) this device must accept any interference received, including interference that may cause undesired operation.