



**30W IEEE802.3at Power over Ethernet
Single Port Injector.
IP67 Rated for Outdoor Applications**



Features

- Compliant with the IEEE802.3at Standard
- Gigabit Compatible
- IP67 Rating (waterproof)
- -40°C to +65°C Temperature Range
- 30W Max Power
- Non-Vented Case with Mounting Bracket
- Full Protection OCP, OVP
- 1-Year Warranty
- Cable Glands and AC connector included for Waterproof Operation

Applications

- Outdoor Security Cameras
- Outdoor Wireless Access Points
- Outdoor Emergency Lighting

Safety Approvals

- cUL/UL 62368-1
- CE (IEC 62368-1)

Mechanical Characteristics (with Mounting Bracket)

- Length: 246mm (9.69in)
- Width: 170mm (6.69in)
- Height: 58.5mm (2.30)
- Weight: 2.2kg

Output Specifications

Model	Data Speed	DC Output Voltage	Load		Ripple ¹ P-P (max.)	Regulation Line & Load
			Min.	Max.		
POEO30U-1AT-R ²	1G	56V	≤10mA	0.535A	200mV	+1/-2V
POEO30U-1AT-X-R	10G	56V	≤10mA	0.535A	200mV	+1/-2V

Notes:

1. Measured with by-pass capacitors 0.1uf/10uf at output connector terminal and oscilloscope set at 20Mhz (tested by oscilloscope). 20 minutes warm-up required when operating at negative temperature.
2. Not recommended for new designs.

INPUT:**AC Input Voltage Range**

90 to 264VAC

AC Input Voltage Rating

100 to 240VAC

AC Input Current

0.8A (RMS) at maximum load

AC Input Frequency

47 to 63Hz

Leakage Current

3.5mA max @254VAC, 50Hz

Max Inrush Current

75A for 240VAC at maximum load

OUTPUT:**Total Output Power**

30W at 65°C

Efficiency⁴

85% (typical) at full load, 120VAC 60Hz

ENVIRONMENTAL:**Temperature**

Operation -40 to +65°C

Non-operation -40 to +65°C

Humidity 5 to 90%

EMI

Complies with FCC Class B

Complies with EN55032 Class B

HI-POT Test

Primary to Secondary: 4242 VDC for 1 minute, 10mA

Primary to Field Ground: 2121VDC for 1 minute, 10mA

Output to Field Ground: 2121VDC for 1 minute, 10mA

Immunity

ESD: IEC61000-4-2 Level 3

RS: IEC61000-4-3 Level 3

EFT: IEC61000-4-4 Level 2

Surge: IEC61000-4-5 6KV

CS: IEC61000-4-6 Level 3

Voltage Dips IEC61000-4-11

Harmonic: EN61000-3-2 Class A

Insulation ResistancePrimary to Secondary: >10M OHM
500VDCPrimary to Earth Ground: >10M OHM
500VDC**FEATURES:****Over Voltage Protection:**

Conforms to UL60950-1

Over-Current Protection:

According to IEEE802.3AT Limits

Short Circuit Protection

Non-latching auto recovery, output can be shorted permanently without damage.

Input Connector

Twist lock 3 pin provided

Output PoE Connector

RJ45 with cable glands

Output PoE Connection

+pins 3, 6 / -pins 1, 2

Notes:

3. The characteristics defined are at ambient temperature of 25°C unless otherwise specified.
4. Efficiency is measured after 30 minutes burn-in.

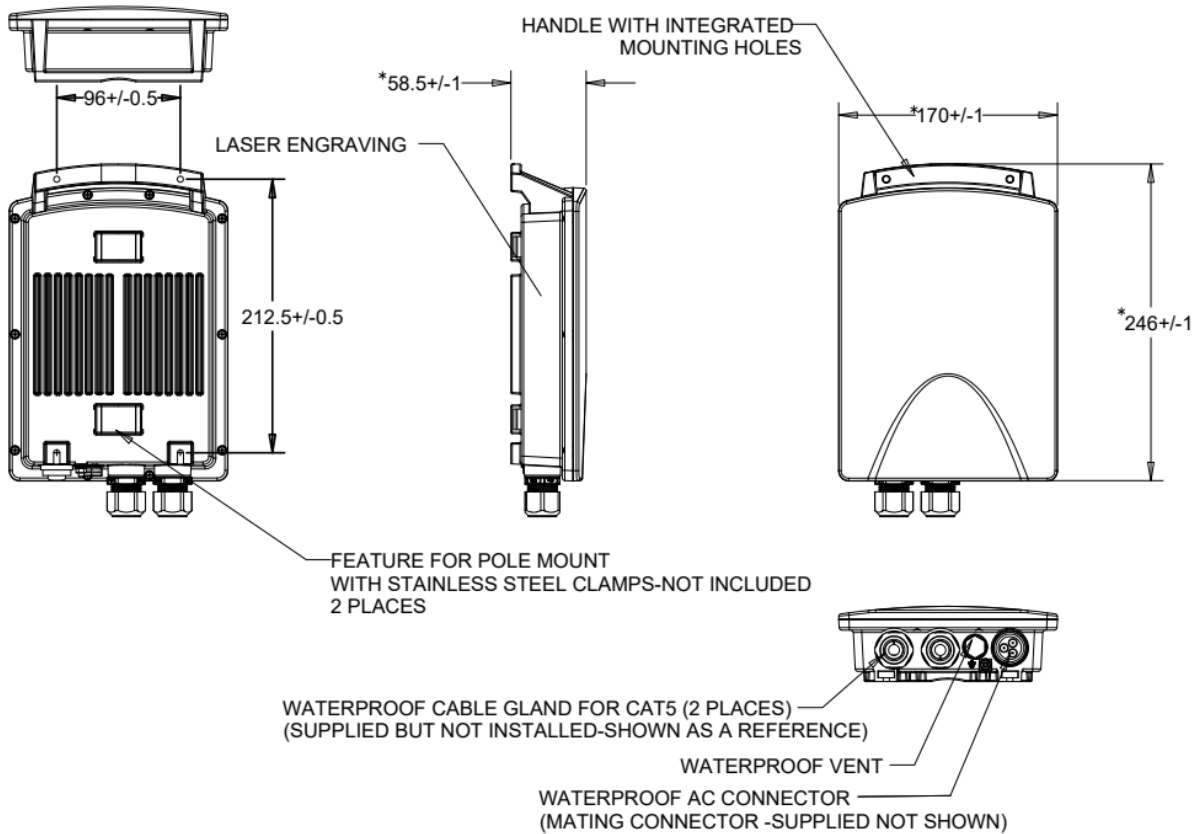
Input/Output Case Ports

Data only - RJ45 + cable gland
Data + Power – RJ45 + cable gland
AC input – Exceedcon EP030-2224-00 EP series

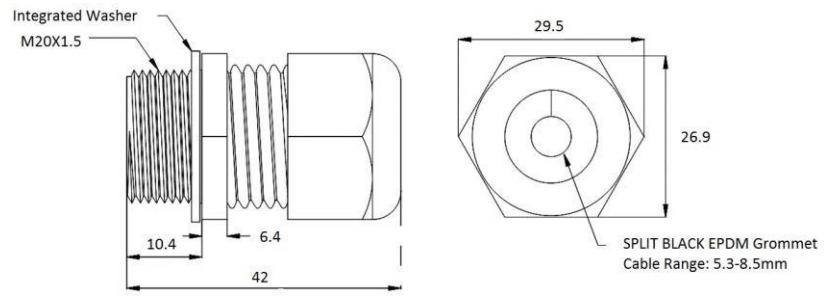
Network Switch

Network Switch must be Environment Rated B as per paragraph 33.4.1.1 of the IEEE802.3at standard.

Dimension Diagram unit: mm



Single Cable Gland – similar to below. * Dimension Diagram unit:mm



Note *: Cable Glands included



Supplier's Declaration of Conformity
47 CFR § 2.1077 Compliance Information

Phihong USA Corporation
47800 Fremont Boulevard
Fremont, CA 94538
Telephone: (510) 445-0100
www.phihong.com

This device complies with/The devices in this product series comply with part 15 of the FCC Rules. Operation is subject to the following two conditions: (1) This device may not cause harmful interference, and (2) this device must accept any interference received, including interference that may cause undesired operat