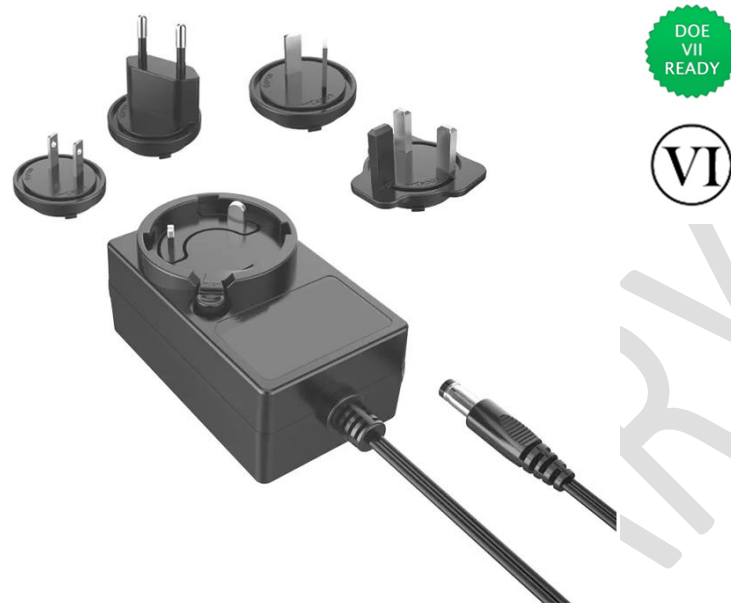


PPLA18T-120



18W 12V Interchangeable Plug Wall Mount Adapter



Features

- Interchangeable US/EU/UK/AU Plugs (sold separately)
- US DoE Level VI Efficiency Compliance
- EU Ecodesign 2019/1782 Compliance
- EU CoC Tier 2 Compliance
- Load Regulation: +/-5%
- No Load power consumption < 0.1W
- Over-Voltage, Over-Current and Short Circuit Protection

Applications

- Smart Home Devices
- Telecommunication Electronic Devices
- Office Equipment

Description

Phihong PPLA18T-120 18-watt 12-volt wall adapter with interchangeable plugs is a versatile and efficient power solution designed to meet the needs of a wide range of electronic devices. One of the key features of this adapter is its ability to accommodate various field changeable plug types, including US, EU, UK, and AU plugs. This versatility allows users to easily adapt the adapter to different electrical systems and socket configurations, eliminating the need for multiple adapters or converters when traveling to different countries.

The adapters meet Level VI and EU Ecodesign 2019/1782 efficiency limits as well as those of Level VII limits proposed by the US Department of Energy in 2023 and voluntary Code of Conduct Version 5 Tier 2 limits.

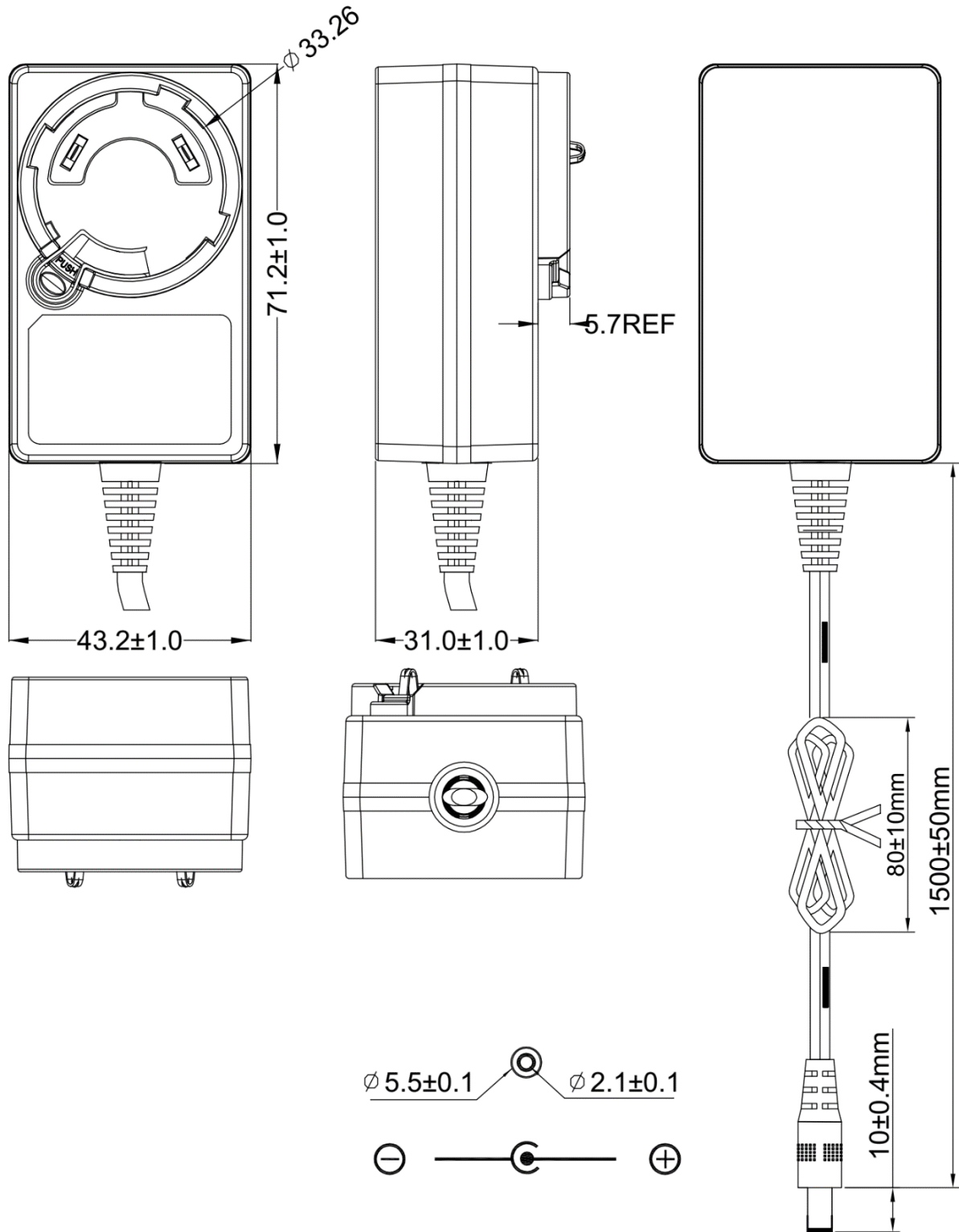
Phihong, a reputable manufacturer known for its high-quality power solutions, ensures that this adapter meets stringent safety standards. Built-in protection mechanisms such as over-voltage protection, over-current protection, and short-circuit protection safeguard your device against potential damage, providing peace of mind to users.

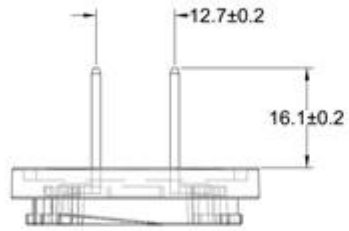
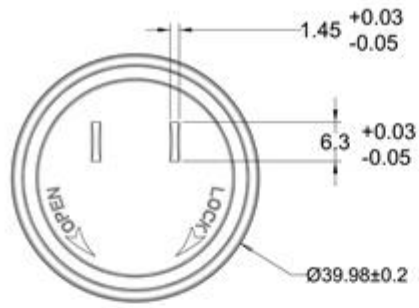
Specifications¹

Model		PPLA18T-120
Output	DC Output Voltage	12V
	Max Current	1.5A
	Output Power	18.0W
	Regulation	± 1% Line / ± 5% Load
	Ripple & Noise P-P(max) ²	150mV
Input	AC Input Voltage Range	90 to 264VAC
	AC Input Frequency	47 to 63Hz
	AC Input Current	0.6A max. @ input 100-240VAC, full load
	AC Inrush Current	40A max. @ input 240VAC
	No Load Power Consumption at 115VAC Input	≤0.075W
	No Load Power Consumption at 230VAC Input	≤0.075W
	115VAC Average Efficiency ³	≥85.452%
	230VAC Average Efficiency ³	≥85.452%
	230VAC 10% Load Efficiency ³	≥75.452%
	Leakage Current	0.25mA max. at 264VAC/50Hz max., no load
Protection	Over-Voltage	24V max
	Short Circuit	Auto-recovery and no damage.
	Over-Current	3.0A max, auto-recovery
Environmental	Operating Temperature	0°C to +40°C
	Non-Operating Temperature	-20°C to +70°C
	Operating Humidity	10% to 95% RH max
Safety Approvals and EMC (Pending)	Dielectric Withstand (HI-POT)	Primary to Secondary: 3000VAC, 10mA max. 1 min.
	Insulation Resistance	Primary to Secondary: Min. 50M OHM at 500 VDC
	Standards	cULus 62368-1, IEC 62368-1, AS/NZS 62368.1
	EMI Emissions	FCC Part 15 Class B, CAN ICES-003(B)/NMB-003(B), CISPR 32 Class B Conducted & Radiated
	Harmonic Current Emissions	IEC 61000-3-2
	Voltage Fluctuations & Flicker	IEC 61000-3-3
Mechanical	Immunity	EN 55035/CISPR 35: IEC 61000-4-2 (+/-8kV air, +/- 4kV contact), IEC 61000-4-3, IEC 61000-4-4, IEC 61000-4-5 (2KV L-L, 1KV L-FG), IEC 61000-4-6, IEC 61000-4-8, IEC 61000-4-11
	Dimensions (L x W x H)	71.2mm (2.80in) x 43.2mm (1.70in) x 36.7mm (1.44in)
	Cable Length & Gauge	1500mm 22AWG
	DC Output Connector	2.1mm (+) x 5.5mm (-) x 10mm
MTBF	Telcordia (SR-332 Issue 3)	>1,000,000 Hours min. at 264VAC/50Hz, max. load, 25°C
Notes	<ol style="list-style-type: none"> The specifications defined are at ambient temperature of 25C, unless otherwise specified. 20MHz bandwidth frequency oscilloscope, add a 0.1µF multilayer Cap. and Low ESR Electrolytic Cap. (10µF) at output connector terminals (nominal line voltage, full load). Efficiency is measured after 30 minutes burn-in. 	

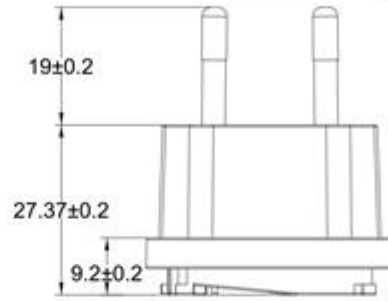
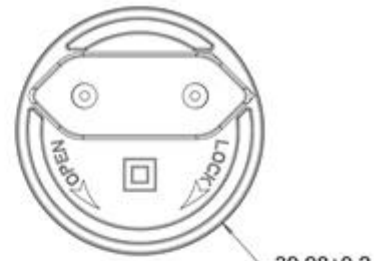
PPLA18T-120

Outline Drawing

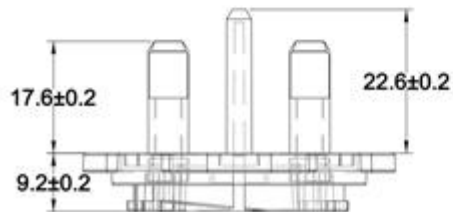
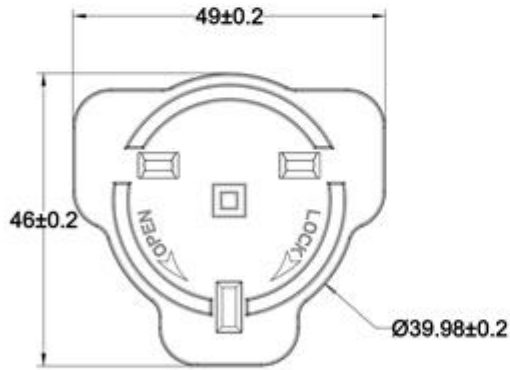




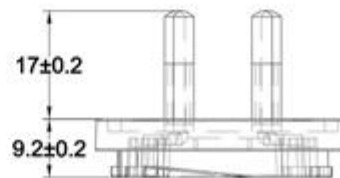
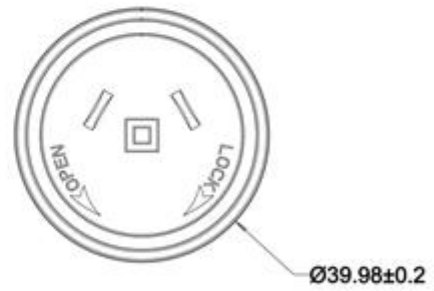
TPA



TPE



TPK



TPS