



6W Wall Mount Adapter



Features

- Double Insulated
- Efficiency Level VI Compliance
- Small Package Size
- Low Leakage Current
- Low Cost
- Class B EMI

Applications

- MPEG Players
- PDAs
- Personal Electronics
- Digital Cameras

Safety Approvals

- cUL/UL 60950-1

Mechanical Characteristics

- Length: 66.5mm (2.62in)
- Width: 28mm (1.1in)
- Height: 39mm (1.42in)
- Weight: 57g (2oz)

Output Specifications

Model	DC Output Voltage	Load		Ripple ¹ P-P (max.)	Regulation Line & Load
		Min.	Max.		
PSAA06A-120L6-R ²	12V	0A	0.5A	240mV	±5%

Notes:

1. Measured with an oscilloscope with 20MHz (or over) bandwidth. Outputs should be bypassed at a connector with a 0.1uF ceramic capacitor and a 10uF electrolytic capacitor.
2. Not recommended for new designs. Built to order.

Phihong is not responsible for any error, and reserves the right to make changes without notice. Please visit our website at www.phihong.com for the most up-to-date specifications and contact information.

INPUT**AC Input Voltage Rating**

100 to 240V AC

AC Input Voltage Range

90 to 264V AC

AC Input Frequency

47 to 63Hz

Input Current

0.2A (RMS) maximum at 115V AC

0.1A (RMS) maximum at 230V AC

Leakage Current

<0.25mA at 264V AC

Inrush Current

40A maximum at 115V AC/60Hz

60A maximum at 230V AC/50Hz

(Cold start at ambient 25°C)

Input Power Saving $\leq 0.075W$ @no load at 115VAC/60Hz,

230VAC/50Hz

OUTPUT**Efficiency**

DoE Level VI

ENVIRONMENTAL:**Temperature**

Operation 0 to +40°C

Non-operation -25 to +85°C

Humidity 10 to 90%

Emissions

Complies with FCC Class B

Complies with EN55032 Class B

Immunity

EN 61000-4-2 Criteria B

EN 61000-4-3 Criteria A

EN 61000-4-4 Criteria B

EN 61000-4-5 Criteria B

EN 61000-4-6 Criteria A

EN 61000-4-8 Criteria A

EN 61000-4-11

Over-Voltage Protection

<20.4V max at 90-264Vac, max load

Over-Current Protection

<1A max at 90-264Vac, max load

Dielectric Withstand (Hi-pot) Test

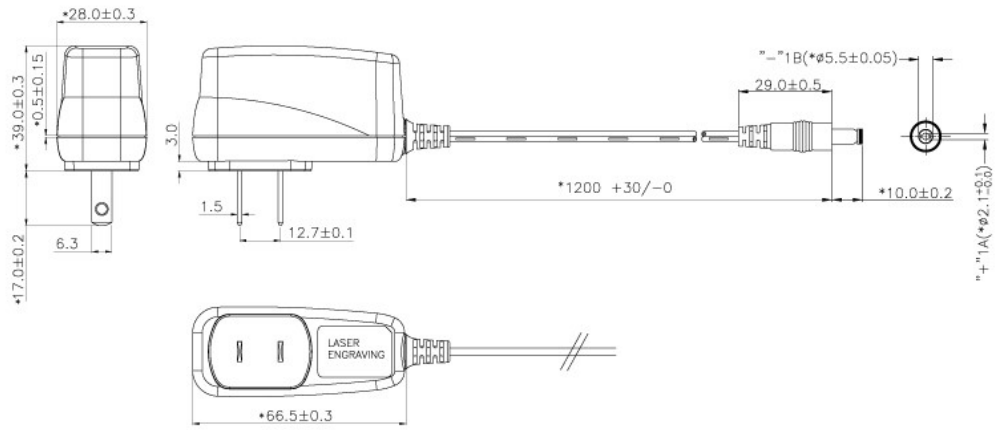
Primary to Secondary: 3000V AC for 1 min.,

10mA

DC Output Connector

2.1mm x 5.5mm x 10.0mm

Dimension Diagram Unit: mm



**Supplier's Declaration of Conformity
47 CFR § 2.1077 Compliance Information**

Phihong USA Corporation
47800 Fremont Boulevard
Fremont, CA 94538
Telephone: (510) 445-0100
www.phihong.com

NOTE: This model has/The models in this product series have been tested and found to comply with the limits for a Class B digital device, pursuant to part 15 of the FCC Rules. These limits are designed to provide reasonable protection against harmful interference in a residential installation. This equipment generates, uses and can radiate radio frequency energy and, if not installed and used in accordance with the instructions, may cause harmful interference to radio communications. However, there is no guarantee that interference will not occur in a particular installation. If this equipment does cause harmful interference to radio or television reception, which can be determined by turning the equipment off and on, the user is encouraged to try to correct the interference by one or more of the following measures:

- Reorient or relocate the receiving antenna.
- Increase the separation between the equipment and receiver.
- Connect the equipment into an outlet on a circuit different from that to which the receiver is connected.
- Consult the dealer or an experienced radio/TV technician for help.

Changes or modifications to equipment not expressly approved by PHIHONG could void the user's authority to operate the equipment.