



5V/20W Interchangeable Wall Plug Adapter



Features

- Double Insulated
- Field Changeable AC Plugs – Sold Separately
- US DoE Level VI Efficiency Compliance
- Ecodesign/ErP Lot 7 (EU) 2019/1782 Compliance
- EU CoC Ver 5 Tier 2 Compliance
- AS/NZS4665.1-2005+A1:2009, AS/NZS4665.2-2005+A1:2009 Compliance
- Class B EMI

Applications

- Peripherals
- Gaming Machines
- Point of Sales Equipment
- Network Equipment

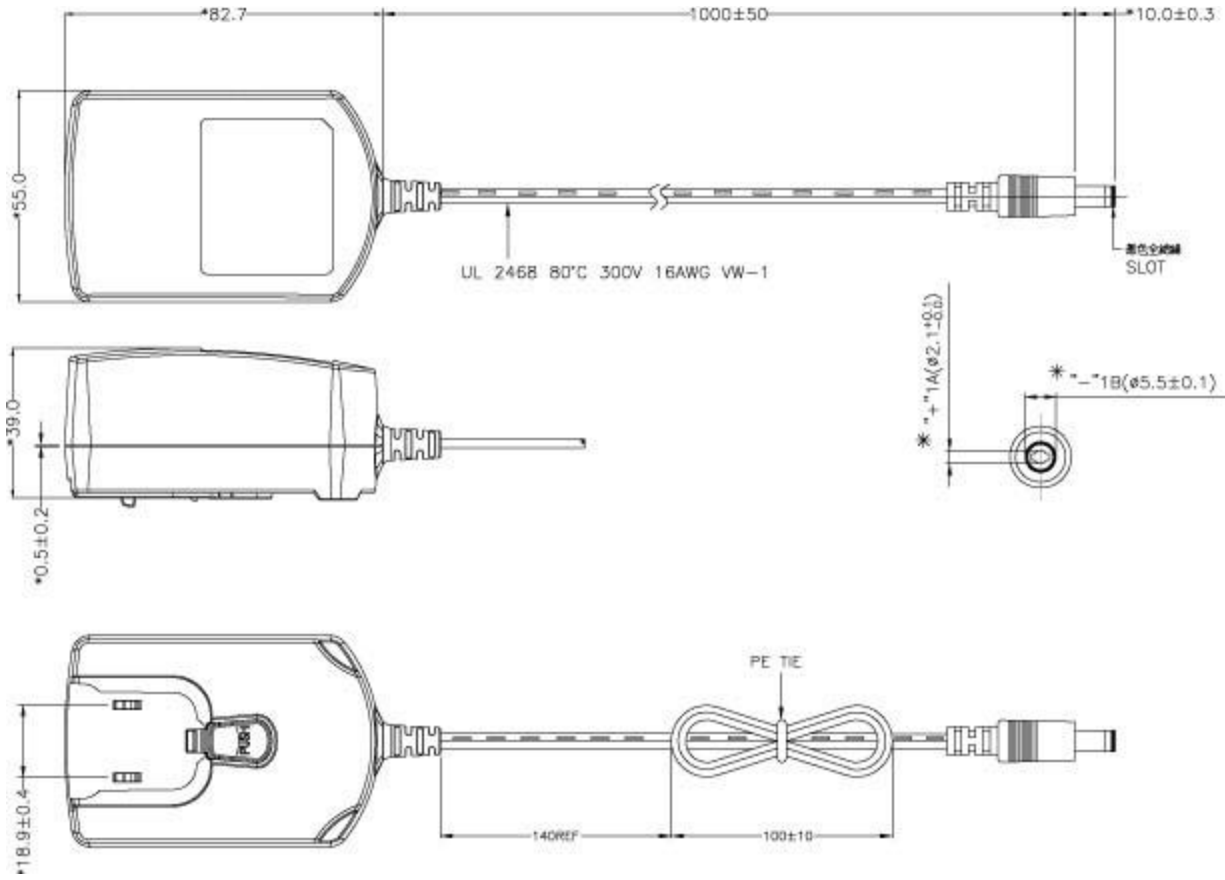


PSAA20R-050L6-R Specifications¹

Model		PSAA20R-050L6-R
Output	DC Output Voltage	5.0V
	Max Current	4.0A
	Output Power	20.0W
	Regulation	± 5%
	Ripple & Noise P-P(max) ²	150mV
Input	AC Input Voltage Range	90 to 264VAC
	AC Input Frequency	47 to 63Hz
	Input Current	0.8A (RMS) max @120Vac/max load 0.5A (RMS) max @240Vac/max load
	Inrush Current	60A max @100VAC/max load 100A max @240VAC/max load
	No Load Power Consumption at 115VAC Input	≤ 0.1 W
	No Load Power Consumption at 230VAC Input	≤ 0.075 W
	115VAC Average Efficiency ³	≥ 83.1%
	230VAC Average Efficiency ³	≥ 83.7%
	230VAC 10% Load Efficiency ³	≥ 74.2%
	Leakage Current	0.25mA max
Protection	Over-Voltage	10V max
	Short Circuit	The output can be shorted without damage.
	Over-Current	Short circuit. Auto restart.
Environmental	Operating Temperature	0°C to +40°C
	Non-Operating Temperature	-20° to +75°C
	Operating Humidity	20% to 90%
Safety Approvals and EMC	Dielectric Withstand (HI-POT)	Primary to Secondary: 3000VAC or 4242VDC for 1min, 10mA
	Insulation Resistance	Primary to Secondary: >7M ohm for 500VDC
	Standards	cULus 62368-1, IEC 62368-1, AS/NZS 62368:2018
	EMI Emissions	FCC Part 15 Class B, CAN ICES-003(B)/NMB-003(B), EN 55032/CISPR 32, AS/NZS CISPR 32:2015, Class B Conducted and Radiated
	Harmonic Current Emissions	IEC 61000-3-2
	Voltage Fluctuations & Flicker	IEC 61000-3-3
	Immunity	EN 55035/CISPR 35: IEC 61000-4-2 (+/- 8kV air, +/-4kV contact), IEC 61000-4-3, IEC 61000-4-4, IEC 61000-4-5 (+/- 1kV), IEC 61000-4-6, IEC 61000-4-8, IEC 61000-4-11
Mechanical	Dimensions (L x W x H)	82.7mm (3.26in) x 55.0mm (2.17in) x 39.0mm (1.54in)
	Weight	180g
	AC Input Connector	Interchangeable Prong
	DC Cord Length	1000mm
	Output Cable Type	16 AWG
	DC Output Connector	5.5mm x 2.1mm x 10.0mm
Notes	<ol style="list-style-type: none"> The specifications defined are at ambient temperature of 25°C, unless otherwise specified. 20MHz bandwidth frequency oscilloscope, add a 0.1µF multilayer Cap. and Low ESR Electrolytic Cap. (10µF) at output connector terminals (nominal line voltage, full load). Efficiency is measured after 30 minutes burn-in. 	



PSAA20R-050L6-R Outline Drawing






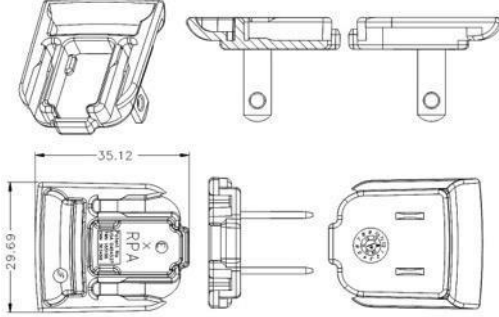

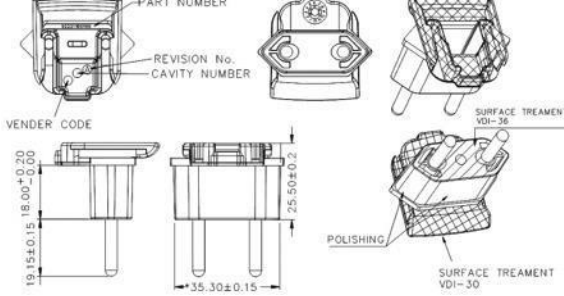

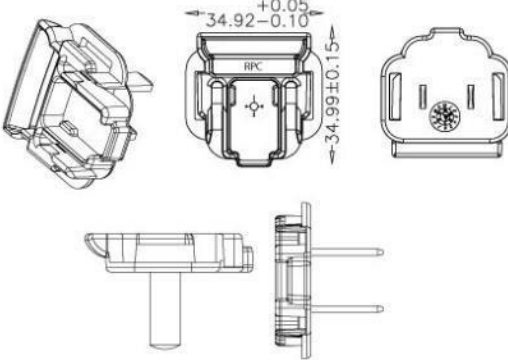

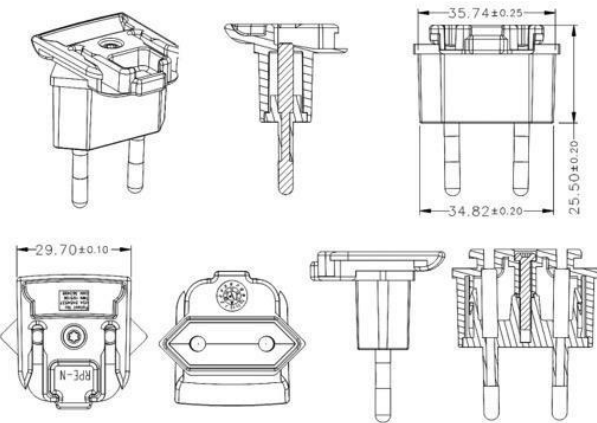
Supplier's Declaration of Conformity
47 CFR § 2.1077 Compliance Information


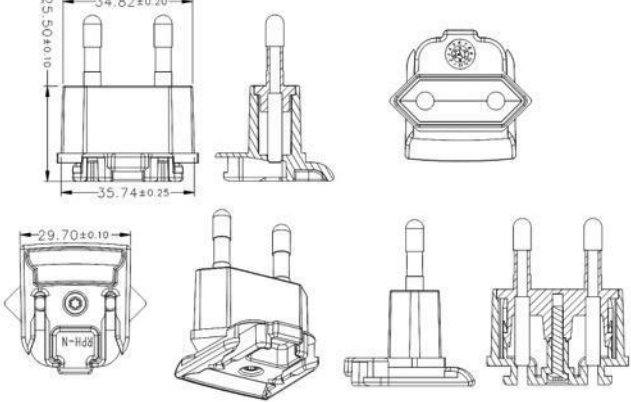

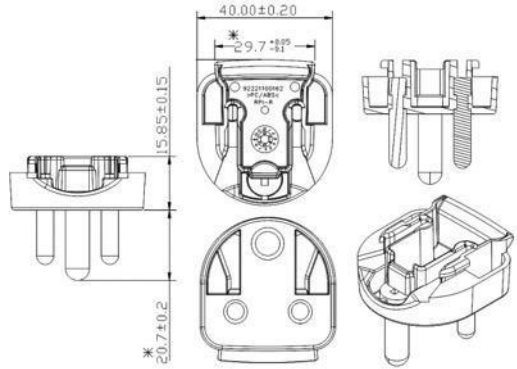

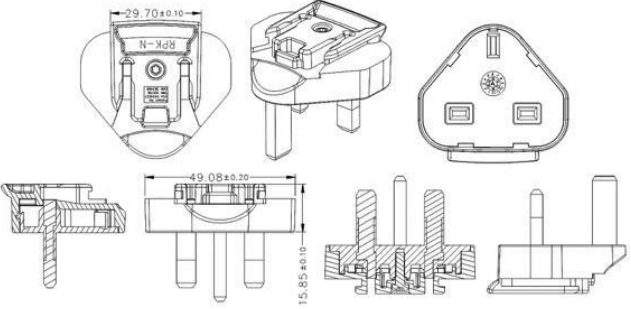

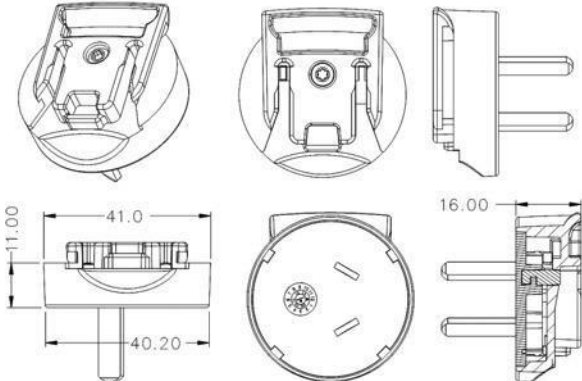
Phihong USA Corporation
47800 Fremont Boulevard
Fremont, CA 94538
Telephone: (510) 445-0100
www.phihong.com


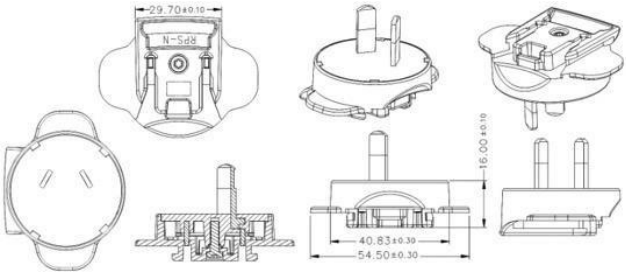

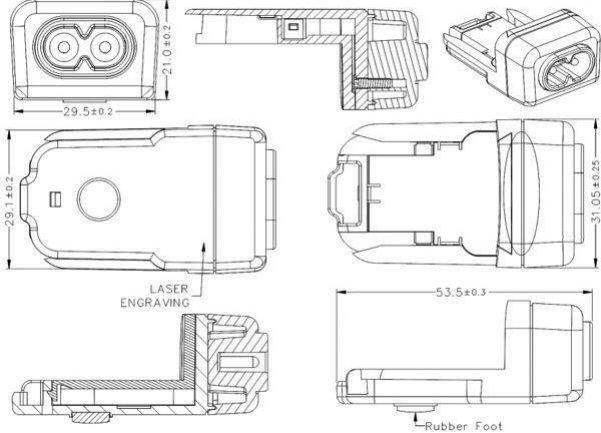
This device complies with/The devices in this product series comply with part 15 of the FCC Rules. Operation is subject to the following two conditions: (1) This device may not cause harmful interference, and (2) this device must accept any interference received, including interference that may cause undesired operation.



AC Input Clips – Sold Separately

Model	Photo	Description	Outline Drawing - mm
RPA-AB01B-H		US Clip	
RPB-AB01B-H		Brazil Clip	
RPC-AB01B-H		China Clip	
RPE-AB01B-H		Europe Clip	

Model	Photo	Description	Outline Drawing - mm
RPH-AB01B-H		Korea Clip	
RPI-AB01B-H		India Clip	
RPK-AB01B-H		UK Clip	
RPN-AB01B-H		Argentina Clip	

Model	Photo	Description	Outline Drawing - mm
RPS-AB01B-H		Australia Clip	
RPX-03-R (approved for use in the EU, the UK, and Australia/New Zealand)		C8 Clip	
RPBAG-AB01B-H	<p>RPA-R, RPE-N-R, RPK(NC)-R and RPS-N-R interchangeable clips in a plastic bag.</p> 