



5W Fixed Blade Wall Mount Adapter - EU



Features

- Double Insulated
- Low Leakage Current
- Low Cost
- Small Package Size
- Class B EMI
- Ecodesign/ErP Lot 7 (EU) 2019/1782 Compliance
- PSAC05E-050L6M-R charging scheme: Data Lines (Pins 2 and 3) Shorted

Applications

- MPEG Players
- Personal Electronics
- PDAs
- Digital Cameras

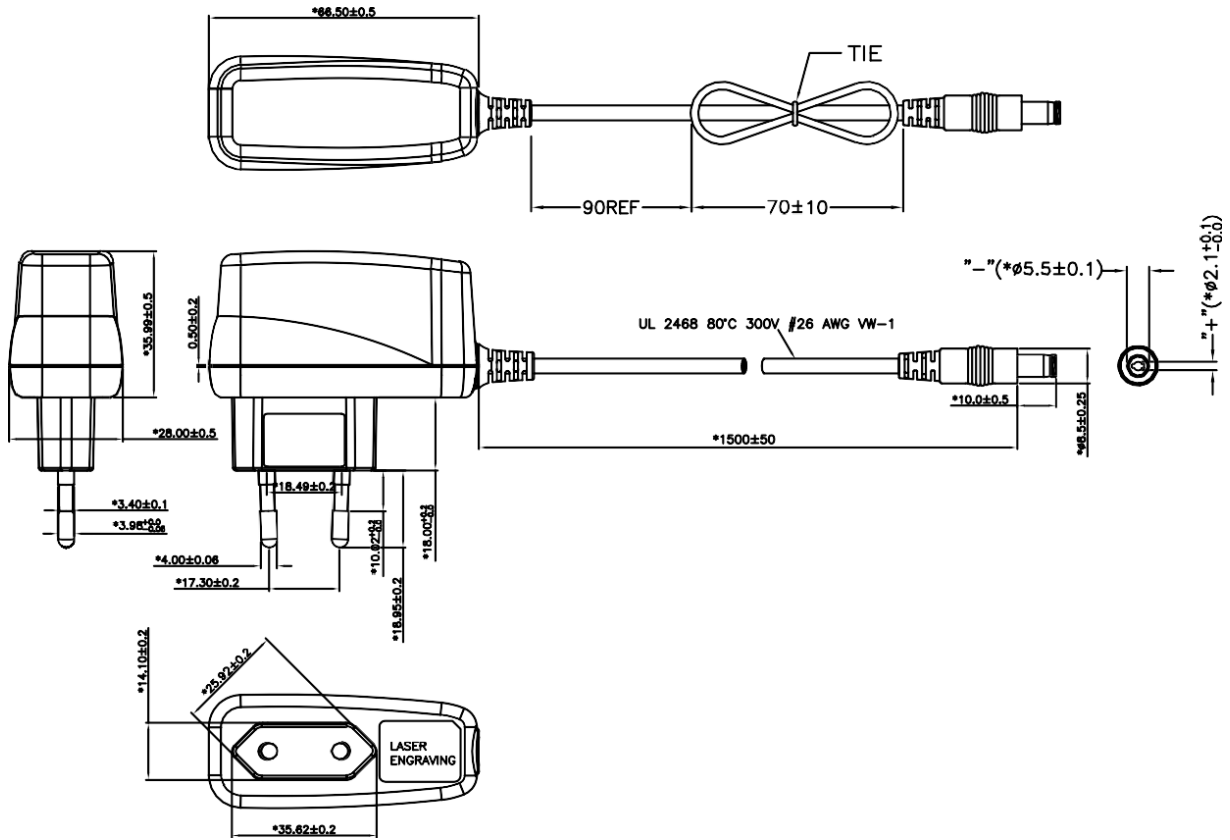


PSAC05E Specifications¹

Model		PSAC05E-050L6-R ^{2,1}	PSAC05E-050L6M-R ^{2,1, 2,2}
Output	DC Output Voltage	5.0V	
	Max Current	1.0A	
	Output Power	5.0W	
	Regulation	± 5%	
	Ripple & Noise P-P(max) ³	150mV	
Input	AC Input Voltage Range	90 to 264VAC	
	AC Input Frequency	47 to 63Hz	
	Input Current	0.15A(RMS) max	
	Inrush Current	40A @ 115VAC/60Hz max load; 60A @ 230VAC/50Hz max load (Cold start at ambient 25°C)	
	No Load Power Consumption at 115VAC Input	≤ 0.1W	
	No Load Power Consumption at 230VAC Input	≤ 0.075W	
	115VAC Average Efficiency ⁴	≥ 73.6%	
	230VAC Average Efficiency ⁴	≥ 73.8%	
	Leakage Current	250uA max	
Protection	Over-Voltage	7.5V max	
	Over-Current	2A max	
	Short Circuit	Output can be shorted permanently without damage	
Environmental	Operating Temperature	0°C to +40°C	
	Non-Operating Temperature	-20° to +70°C	
	Operating Humidity	0 to 90%	
Safety Approvals and EMC	Dielectric Withstand (HI-POT)	Primary to Secondary: 3000VAC for 1min, 10mA	
	Insulation Resistance	Primary to Secondary: 10M ohm for 500VDC	
	Standards	IEC 62368-1	
	EMI Emissions	EN 55032/CISPR 32 Class B Conducted and Radiated	
	Harmonic Current Emissions	IEC 61000-3-2	
	Voltage Fluctuations & Flicker	IEC 61000-3-3	
	Immunity	EN 55035/CISPR 35: IEC 61000-4-2 (Contact:+/- 4KV, Air:+/- 8KV), IEC 61000-4-3, IEC 61000-4-4, IEC 61000-4-5 (+/- 1kV), IEC 61000-4-6, IEC 61000-4-8, IEC 61000-4-11	
Mechanical	Dimensions (L x W x H)	66.5mm (2.62in) x 28.0mm (1.10in) x 72.9mm (2.87in)	
	Weight	155.92g	
	DC Output Connector	2.1mm x 5.5mm x 10.0mm Barrel Center Positive	USB Micro B
Notes	<ol style="list-style-type: none"> 1. The specifications defined are at ambient temperature of 25C, unless otherwise specified. 2. <ol style="list-style-type: none"> 2.1 Special order item. Minimum order quantity applies. 2.2 The charging scheme: Data Lines (Pins 2 and 3) Shorted. 3. 20MHz bandwidth frequency oscilloscope, add a 0.1µF multilayer Cap. and Low ESR Electrolytic Cap. (10µF) at output connector terminals (nominal line voltage, full load). 4. Efficiency is measured after 30 minutes burn-in. 		



PSAC05E-050L6-R Outline Drawing





PSAC05E-050L6M-R Outline Drawing

