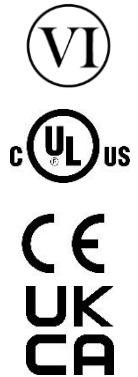




45W Desktop C8 Adapter Series



Features

- Non-Vented/Spill-Proof Case
- US DoE Level VI Efficiency Compliance
- Ecodesign/ErP Lot 7 (EU) 2019/1782 Compliance
- Low Profile Design
- Class B EMI

Applications

- Portable Equipment
- Gaming Machines
- Notebook Computers
- Networking



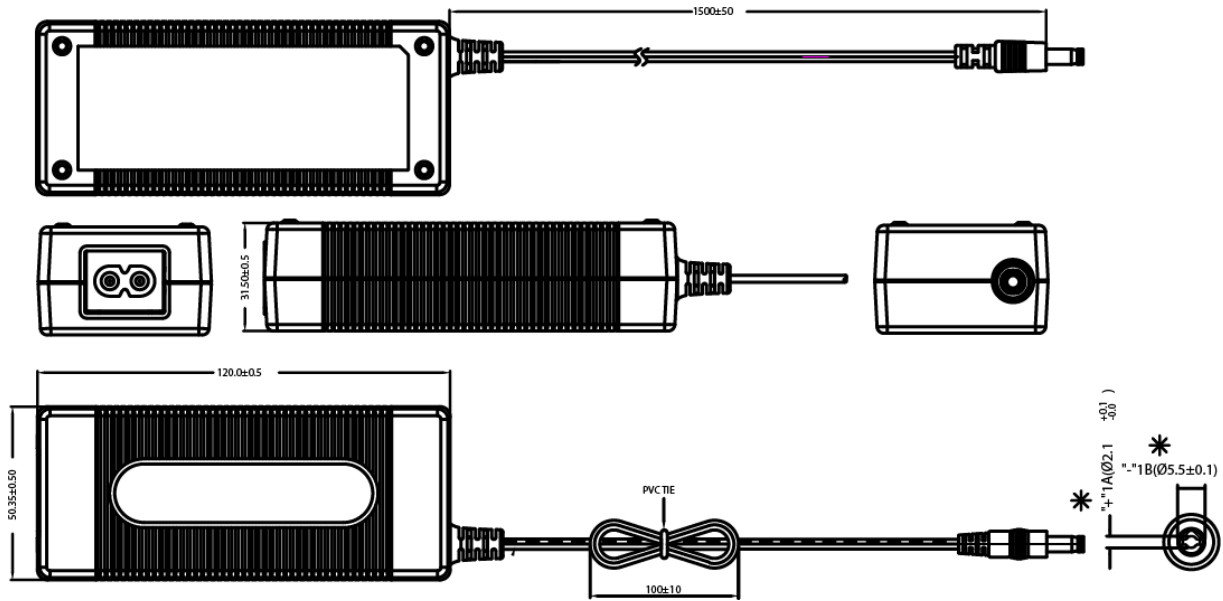
PSAC45W Series Specifications¹

Model		PSAC45W-120-R ²	PSAC45W-180-R ²	PSAC45W-240-R ²
Output	DC Output Voltage	12.0V	18.0V	24.0V
	Max Current	3.75A	2.5A	1.875A
	Output Power	45.0W	45.0W	45.0W
	Regulation	±5%	±5%	±5%
	Ripple & Noise P-P(max) ³	150mV	180mV	240mV
Input	AC Input Voltage Range	90 to 264VAC		
	AC Input Frequency	47 to 63Hz		
	Input Current	1.2A (RMS) max @120VAC		
	Inrush Current	120A max., 264VAC (Cold Start at ambient 25°C, full load)		
	No Load Power Consumption at 115VAC Input	0.048W	0.070W	0.064W
	No Load Power Consumption at 230VAC Input	0.084W	0.090W	0.095W
	115VAC Average Efficiency ⁴	88.27%	89.06%	88.83%
	230VAC Average Efficiency ⁴	88.78%	88.65%	89.08%
	230VAC 10% Load Efficiency ⁴	86.88%	86.48%	85.67%
	Leakage Current	0.25mA max		
Protection	Over-Voltage	20V max	35V max	35V max
	Short Circuit	Output can be shorted permanently without damage		
	Over-Current	6.0A max, Auto restart	4.25A max, Auto restart	3.2A max, Auto restart
Environmental	Operating Temperature	0°C to +40°C		
	Non-Operating Temperature	-20° to +70°C		
	Operating Humidity	5 to +90%		
Safety Approvals and EMC	Dielectric Withstand (HI-POT)	Primary to Secondary: 3000VAC for 1min, 10mA		
	Insulation Resistance	Primary to Secondary: >7M ohm for 500VDC		
	Standards	cULus 60950-1, IEC 60950-1		
	EMI Emissions	FCC Part 15 Class B, CAN ICES-003(B)/NMB-003(B), EN 55032/CISPR 32 Class B Conducted and Radiated		
	Harmonic Current Emissions	IEC 61000-3-2		
	Voltage Fluctuations & Flicker	IEC 61000-3-3		
	Immunity	EN 55024/CISPR 24: IEC 61000-4-2 (+/- 8kV air, +/- 4kV contact), IEC 61000-4-3, IEC 61000-4-4, IEC 61000-4-5 (+/- 1kV), IEC 61000-4-6, IEC 61000-4-8, IEC 61000-4-11		
Mechanical	Dimensions (L x W x H)	120mm (4.72in) x 50mm (1.97in) x 31.5mm (1.27in)		
	Weight	250g		
	Cable Length	1500mm		
	Output Cable Type	18 AWG	20 AWG	22 AWG
	DC Output Connector	2.1mm x 5.5mm x 10.0mm		
	DC Plug Pin Assignment	Inner (V+) / Outer GND (V-)		
	Input Connector	IEC 60320 C8		

Model		PSAC45W-480-R ²	PSAC45W-560-R ²
Output	DC Output Voltage	48.0V	56.0V
	Max Current	0.9375A	0.804A
	Output Power	45.0W	45.024W
	Regulation	±5%	±5%
	Ripple & Noise P-P(max) ³	480mV	560mV
Input	AC Input Voltage Range	90 to 264VAC	
	AC Input Frequency	47 to 63Hz	
	Input Current	1.2A (RMS) max @120VAC	
	Inrush Current	120A max., 120VAC (Cold Start at ambient 25°C, full load)	
	No Load Power Consumption at 115VAC Input	0.062W	0.067W
	No Load Power Consumption at 230VAC Input	0.092W	0.094W
	115VAC Average Efficiency ⁴	90.22%	91.21%
	230VAC Average Efficiency ⁴	90.59%	91.16%
	230VAC 10% Load Efficiency ⁴	85.96%	85.99%
	Leakage Current	0.25mA max	
Protection	Over-Voltage	63V max	70V max
	Short Circuit	Output can be shorted permanently without damage	
	Over-Current	1.6A max, Auto restart	1.42A max, Auto restart
Environmental	Operating Temperature	0°C to +40°C	
	Non-Operating Temperature	-20° to +70°C	
	Operating Humidity	5 to +90%	
Safety Approvals and EMC	Dielectric Withstand (HI-POT)	Primary to Secondary: 3000VAC for 1min, 10mA	
	Insulation Resistance	Primary to Secondary: >7M ohm for 500VDC	
	Standards	cULus 60950-1, IEC 60950-1	
	EMI Emissions	FCC Part 15 Class B, CAN ICES-003(B)/NMB-003(B), EN 55032/CISPR 32 Class B Conducted and Radiated	
	Harmonic Current Emissions	IEC 61000-3-2	
	Voltage Fluctuations & Flicker	IEC 61000-3-3	
	Immunity	EN 55024/CISPR 24: IEC 61000-4-2 (+/- 8kV air, +/- 4kV contact), IEC 61000-4-3, IEC 61000-4-4, IEC 61000-4-5 (+/- 1kV), IEC 61000-4-6, IEC 61000-4-8, IEC 61000-4-11	
Mechanical	Dimensions (L x W x H)	120.00mm (4.72in) x 50.35mm (1.98in) x 31.4mm (1.24in)	
	Weight	250g	
	Cable Length	1500mm	
	Output Cable Type	24 AWG	
	DC Output Connector	2.1mm x 5.5mm x 10.0mm	
	DC Plug Pin Assignment	Inner (V+) / Outer GND (V-)	
	Input Connector	IEC 60320 C8	
Notes	<ol style="list-style-type: none"> The specifications defined are at ambient temperature of 25C, unless otherwise specified. Not recommended for new designs (NRND). Minimum order quantity applies. 20MHz bandwidth frequency oscilloscope, add a 0.1µF multilayer Cap. and Low ESR Electrolytic Cap. (10µF) at output connector terminals (nominal line voltage, full load). Efficiency is measured after 30 minutes burn-in. 		



PSAC45W Outline Drawing





Supplier's Declaration of Conformity
47 CFR § 2.1077 Compliance Information

Phihong USA Corporation
47800 Fremont Boulevard
Fremont, CA 94538
Telephone: (510) 445-0100
www.phihong.com

This device complies with/The devices in this product series comply with part 15 of the FCC Rules. Operation is subject to the following two conditions: (1) This device may not cause harmful interference, and (2) this device must accept any interference received, including interference that may cause undesired operation.



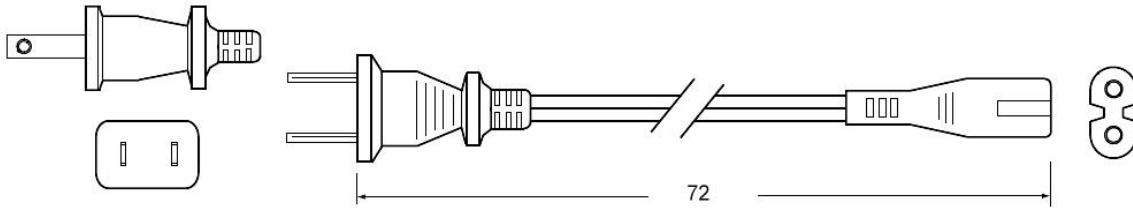
Line Cords - Sold Separately

Model		AC15WNA-R	AC15WEU-R	AC15WUK-R
Specifications	Plug Type	North America NEMA 1-15P	Continental Europe CEE 7XVI	United Kingdom BS 1363
	Connector	IEC320 C7	IEC320 C7	IEC320 C7
	Wire Size	18 AWG	0.75mm	0.75mm
	Temperature	60°C	70°C	70 °C
	Amperage Rating	7A	2.5A	5A
	Voltage Rating	125V	250V	250V
	Cable Length	72mm	1830mm	1830mm
Safety Approvals		CSA; UL	CEBEC; DEMKO; DVE; FIMKO; GOST; IMQ; KEMA; NEMKO; NF; OVE; SEMKO; SEV	BSI; Safety Mark
Photos				

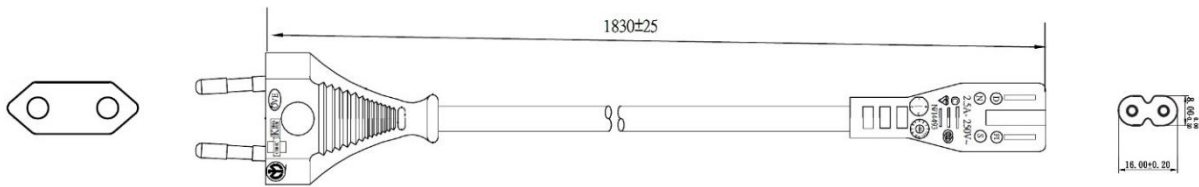


Line Cords - Outline Drawings

AC15WNA-R



AC15WEU-R



AC15WUK-R

