



2.75W Compact Fixed Blade Charger - UK



Features

- Fixed Blade
- Low Cost
- CC & CV Control
- No Y Caps
- Ecodesign/ErP Lot 7 (EU) 2019/1782 Compliant
- EU CoC Ver 5 Tier 2 Compliance

Applications

- MPEG Players
- Personal Electronics
- PDAs
- Digital Cameras

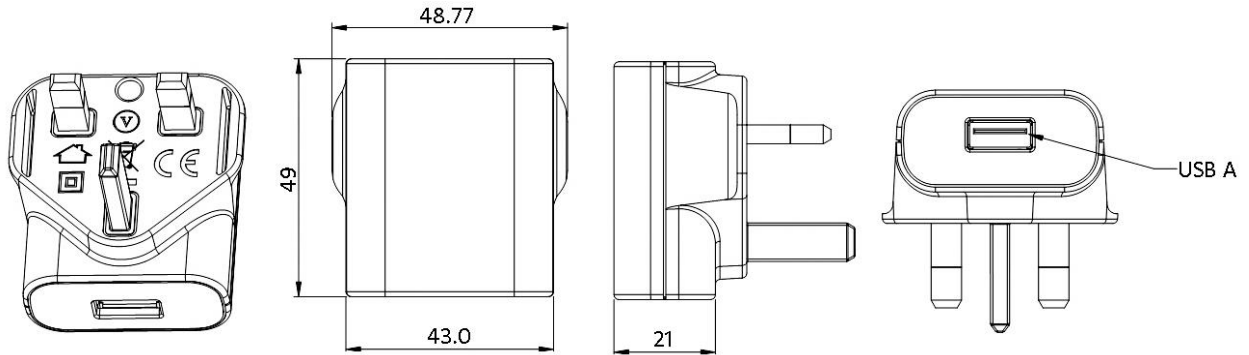


PSM03K Series Specifications¹

Model		PSM03K-050Q-3-R ²	PSM03K-050Q-3W-R ²
Output	DC Output Voltage	5.0V	
	Max Current	0.55A	
	Output Power	2.75W	
	Regulation	± 5%	
	Ripple & Noise P-P(max) ³	100mV	
Input	AC Input Voltage Range	90 to 264VAC	
	AC Input Frequency	47 to 63Hz	
	Input Current	100mA (RMS) max	
	No Load Power Consumption at 115VAC Input	0.03W	
	No Load Power Consumption at 230VAC Input	0.043W	
	115VAC Average Efficiency ⁴	72.10%	
	230VAC Average Efficiency ⁴	70.00%	
	230VAC 10% Load Efficiency ⁴	60.00%	
	Leakage Current	<0.20uA @264VAC/63Hz	
Protection	Over-Voltage	< 8.5V	
	Short Circuit	Output can be shorted permanently without damage	
	Over-Current	N/A	
Environmental	Operating Temperature	0°C to +40°C	
	Non-Operating Temperature	-40° to +85°C	
	Operating Humidity	10% to 90% RH	
Safety Approvals and EMC	Dielectric Withstand (HI-POT)	Primary to Secondary: 3000VAC for 1min, 10mA	
	Insulation Resistance	Primary to Secondary: 7M ohm for 500VDC	
	Standards	IEC 62368-1	
	EMI Emissions	FCC Part 15 Class B, CAN ICES-003(B)/NMB-003(B), EN 55032/CISPR 32 Class B Conducted and Radiated	
	Harmonic Current Emissions	IEC 61000-3-2	
	Voltage Fluctuations & Flicker	IEC 61000-3-3	
	Immunity	EN 55035/CISPR 35: IEC 61000-4-2, IEC 61000-4-3, IEC 61000-4-4, IEC 61000-4-5, IEC 61000-4-6, IEC 61000-4-8, IEC 61000-4-11	
Mechanical	Dimensions (L x W x H)	49.0mm (1.93in) x 48.8mm (1.92in) x 49.9mm (1.96in)	
	Weight	40g (1.4oz) typical +/-5%	
	DC Output Connector	USB-A	
	DC Plug Pin Assignment	D+ and D- pins shorted together inside of charger	
	Case Color	Black	White
Notes	<ol style="list-style-type: none"> The specifications defined are at ambient temperature of 25C, unless otherwise specified. Not recommended for new designs (NRND). Minimum order quantity applies. 20MHz bandwidth frequency oscilloscope, add a 0.1µF multilayer Cap. and Low ESR Electrolytic Cap. (10µF) at output connector terminals (nominal line voltage, full load). Efficiency is measured after 30 minutes burn-in. 		



PSM03K Outline Drawing



**Supplier's Declaration of Conformity
47 CFR § 2.1077 Compliance Information**

Phihong USA Corporation
47800 Fremont Boulevard
Fremont, CA 94538
Telephone: (510) 445-0100
www.phihong.com

NOTE: This model has/The models in this product series have been tested and found to comply with the limits for a Class B digital device, pursuant to part 15 of the FCC Rules. These limits are designed to provide reasonable protection against harmful interference in a residential installation. This equipment generates, uses and can radiate radio frequency energy and, if not installed and used in accordance with the instructions, may cause harmful interference to radio communications. However, there is no guarantee that interference will not occur in a particular installation. If this equipment does cause harmful interference to radio or television reception, which can be determined by turning the equipment off and on, the user is encouraged to try to correct the interference by one or more of the following measures:

- Reorient or relocate the receiving antenna.
- Increase the separation between the equipment and receiver.
- Connect the equipment into an outlet on a circuit different from that to which the receiver is connected.
- Consult the dealer or an experienced radio/TV technician for help.

Changes or modifications to equipment not expressly approved by PHIHONG could void the user's authority to operate the equipment.