



2.75W Compact Fixed Blade Charger – AUS/NZ



Features

- Fixed Blade
- Low Cost
- CC & CV Control
- No Y Caps
- AS/NZS4665.1-2005+A1:2009; AS/NZS4665.2-2005+A1:2009 Compliance

Applications

- MPEG Players
- Personal Electronics
- PDAs
- Digital Cameras

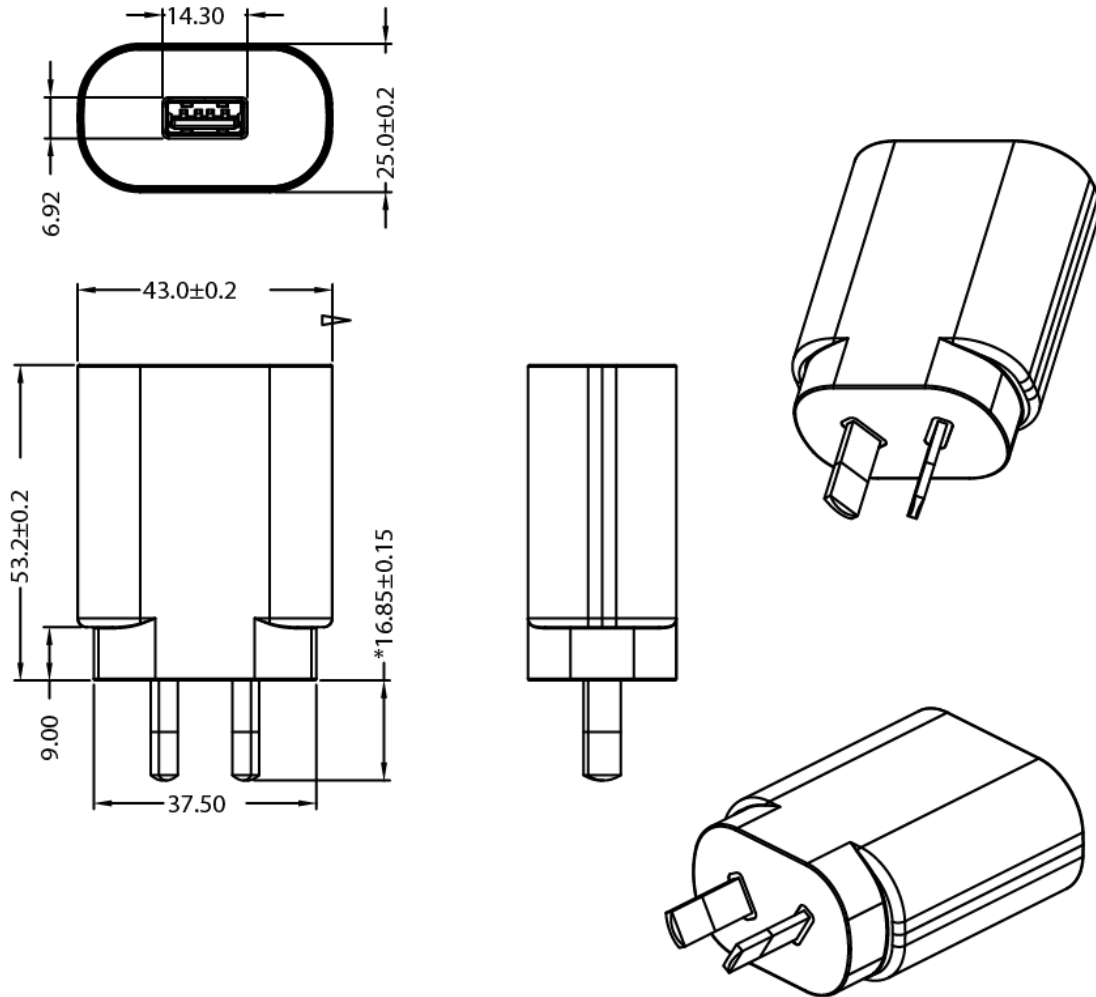


PSM03S Series Specifications¹

Model		PSM03S-050Q-3-R ²	PSM03S-050Q-3W-R ²
Output	DC Output Voltage	5.0V	
	Max Current	0.55A	
	Output Power	2.75W	
	Regulation	± 5%	
	Ripple & Noise P-P(max) ³	100mV	
Input	AC Input Voltage Range	90 to 264VAC	
	AC Input Frequency	47 to 63Hz	
	Input Current	100mA (RMS) max	
	No Load Power Consumption at 115VAC Input	≤ 100mA	
	No Load Power Consumption at 230VAC Input	≤ 100mA	
	115VAC Average Efficiency ⁴	≥ 69%	
	230VAC Average Efficiency ⁴	≥ 69%	
	Leakage Current	<0.20uA @264VAC/63Hz	
Protection	Over-Voltage	< 8.5V	
	Short Circuit	Output can be shorted permanently without damage	
Environmental	Operating Temperature	0°C to +40°C	
	Non-Operating Temperature	-40° to +85°C	
	Operating Humidity	90% Relative Humidity Maximum	
Safety Approvals and EMC	Dielectric Withstand (HI-POT)	Primary to Secondary: 3000VAC for 1min, 10mA	
	Insulation Resistance	Primary to Secondary: 7M ohm for 500VDC	
	Standards	AS/NZS 62368.1:2018	
	EMI Emissions	AS/NZS 55032/CISPR 32 Class B Conducted and Radiated	
	Harmonic Current Emissions	IEC 61000-3-2	
	Voltage Fluctuations & Flicker	IEC 61000-3-3	
	Immunity	EN 55035/CISPR 35: IEC 61000-4-2 (+/- 8kV air, +/- 4kV contact), IEC 61000-4-3, IEC 61000-4-4, IEC 61000-4-5 (+/- 1kV), IEC 61000-4-6, IEC 61000-4-8, IEC 61000-4-11	
Mechanical	Dimensions (L x W x H)	70.1mm (2.76in) x 43.0mm (1.69in) x 25.0mm (0.98in)	
	Weight	39g (1.4oz) typical +/-5%	
	DC Output Connector	USB-A	
	DC Plug Pin Assignment	D+ and D- pins shorted together inside of charger	
	Case Color	Black	White
Notes	<ol style="list-style-type: none"> The specifications defined are at ambient temperature of 25C, unless otherwise specified. Not recommended for new designs (NRND). Minimum order quantity applies. 20MHz bandwidth frequency oscilloscope, add a 0.1µF multilayer Cap. and Low ESR Electrolytic Cap. (10µF) at output connector terminals (nominal line voltage, full load). Efficiency is measured after 30 minutes burn-in. 		



PSM03S Outline Drawing





USB Cables – Sold Separately

Unit: mm

Part no: IP-USB1(C10)S	Desc: USB-A to Micro-B – 1 Meter – Black
Part no: IPUSB1CS	Desc: USB to Mini-B – 1.5 Meter – Black
Part no: IPUSB1MS	Desc: USB-A to Micro-B – 1.5 Meter – Black
Part no: IPUSB1M5LD	Desc: USB-A to Micro-B – 24AWG – Low Drop – 1.5 Meter – Black
Part no: IPUSB1P5	Desc: USB-A to Micro-B – 1 Meter – 24AWG – Black
Part no: IPUSB1P5W	Desc: USB-A to Micro-B – 1 Meter – 24AWG – White

Part no: IPUSB1MSW	Desc: USB-A to Micro-B – 1.5 Meter – White
Part no: UES-1001A160	Desc: Low Drop Type-C USB Cable – 1 Meter – 23AWG on Power – 30AWG on Data - Black
Part no: UES-1003A160	Desc: Low Drop Type-C USB Cable - 1 Meter – 23AWG on Power – 30AWG on Data - White