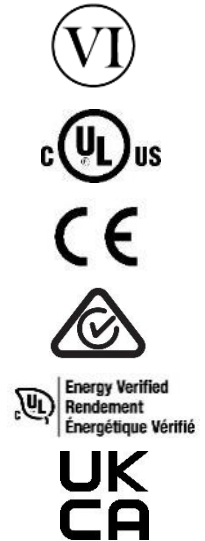




10W Interchangeable Wall Plug Adapter Series



Features

- Double Insulated
- Field Changeable AC Plugs – Sold Separately
- Limited Power Source (LPS)
- US DoE Level VI Efficiency Compliance
- Ecodesign/ErP Lot 7 (EU) 2019/1782 Compliance
- EU COC V5 Tier 2 Compliance
- AS/NZS 4665.1-2005+A1:2009, AS/NZS 4665.2-2005+A1:2009 Compliance
- Class B EMI

Applications

- Wireless Communications
- Peripherals
- Network Equipment
- Gaming

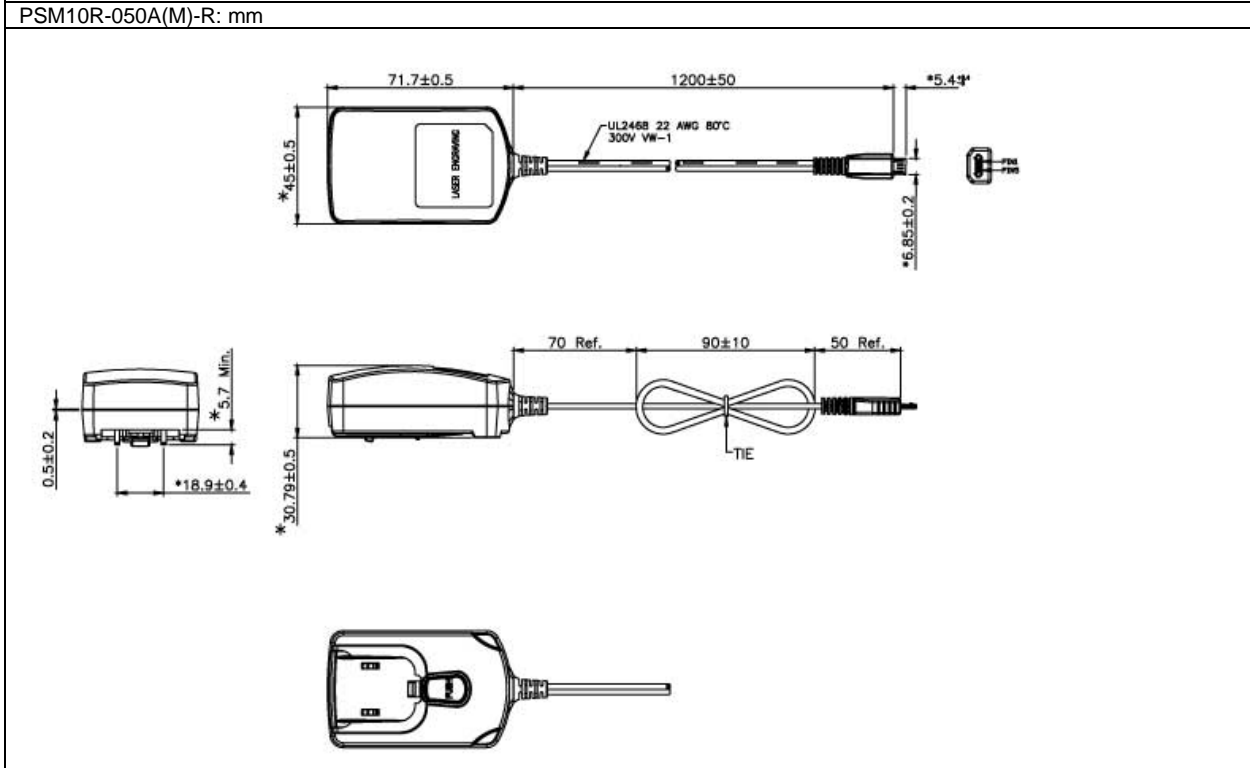
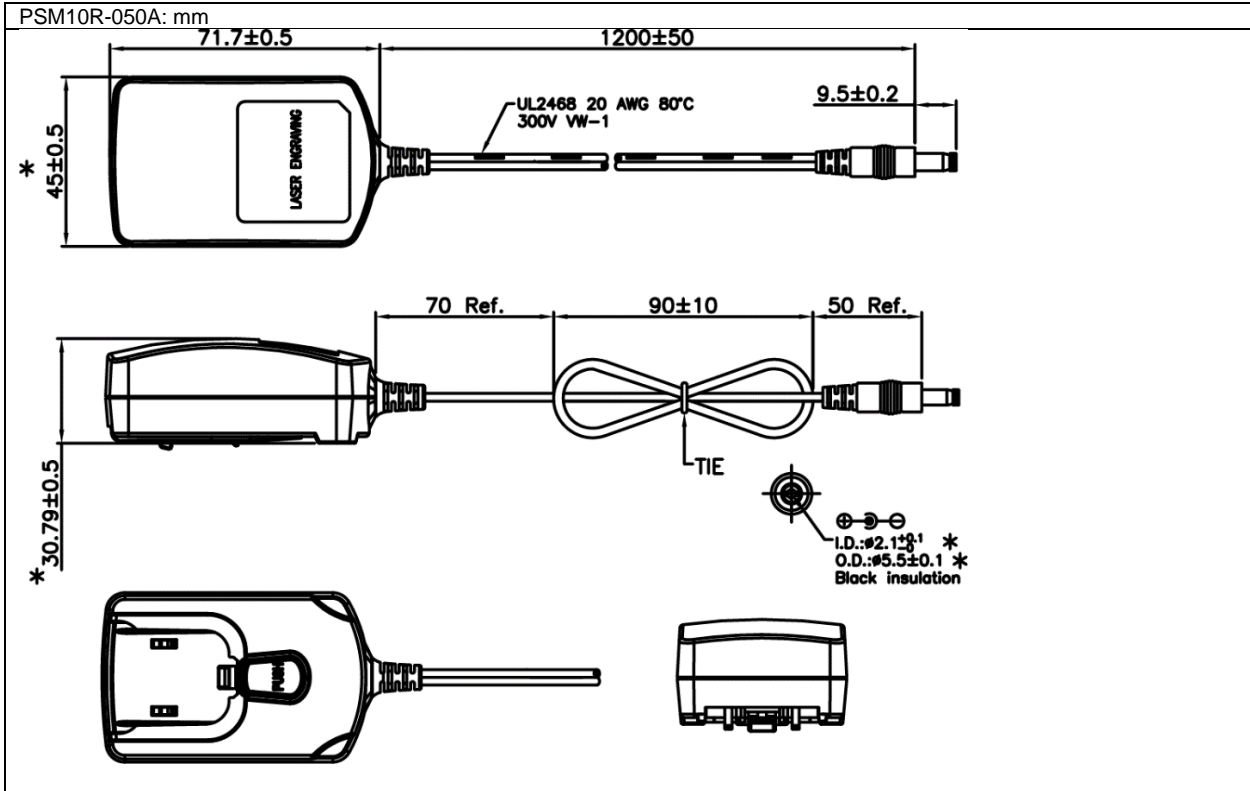


PSM10R Specifications¹

| Model | | PSM10R-050A-R | PSM10R-050A(M)-R |
|--------------------------|---|--|------------------|
| Output | DC Output Voltage | 5.0V | 5.0V |
| | Max Current | 2.0A | 2.0A |
| | Output Power | 10.0W | 10.0W |
| | Regulation | ± 5% | ± 5% |
| | Ripple & Noise P-P(max) ² | 200mV | 200mV |
| Input | AC Input Voltage Range | 90 to 264VAC | |
| | AC Input Frequency | 47 to 63Hz | |
| | Input Current | 0.5A (RMS) max for 115Vac/max load 0.25A (RMS) max for 230Vac/max load | |
| | Inrush Current | 30A for 120VAC, 60A for 240VAC (Cold start at ambient 25°C, full load) | |
| | No Load Power Consumption at 115VAC Input | 0.006W | 0.009W |
| | No Load Power Consumption at 230VAC Input | 0.007W | 0.035W |
| | 115VAC Average Efficiency ³ | 81.8% | 79.97% |
| | 230VAC Average Efficiency ³ | 81.9% | 79.87% |
| | 230VAC 10% Load Efficiency ³ | 80.5% | 78.8% |
| | Leakage Current | 0.25mA at 264VAC, 50Hz | |
| Protection | Over-Voltage | 10.0V max | |
| | Short Circuit | The output can be shorted without damage | |
| | Over-Current | Auto-restart | |
| Environmental | Operating Temperature | 0°C to +40°C | |
| | Non-Operating Temperature | -40° to +85°C | |
| | Operating Humidity | 10% to 90% | |
| Safety Approvals and EMC | Dielectric Withstand (HI-POT) | Primary to Secondary: 3000VAC for 1min, 10mA | |
| | Insulation Resistance | Primary to Secondary: >7M ohm for 500VDC | |
| | Standards | cULus 60950-1, cULus 62368-1, IEC60950-1, IEC 62368-1, AS/NZS 60950.1:2011+A1 | |
| | EMI Emissions | FCC Part 15 Class B, CAN ICES-003(B)/NMB-003(B), EN 55032/CISPR 32 Class B Conducted and Radiated | |
| | Harmonic Current Emissions | IEC 61000-3-2 | |
| | Voltage Fluctuations & Flicker | IEC 61000-3-3 | |
| | Immunity | EN 55024/CISPR 24: IEC 61000-4-2 (+/- 8kV air, +/- 4kV contact), IEC 61000-4-3, IEC 61000-4-4, IEC 61000-4-5 (+/- 1kV), IEC 61000-4-6, IEC 61000-4-8, IEC 61000-4-11 | |
| Mechanical | Dimensions (L x W x H) | 71.7mm (2.82in) x 45.0mm (1.77in) x 30.79mm (1.21in) | |
| | Weight | 68g | |
| | DC Cord | 20AWG | 22AWG |
| | DC Output Connector | 2.1mm x 5.5mm x 9.5mm Barrel | USB Micro-B |
| Notes | <ol style="list-style-type: none"> The specifications defined are at ambient temperature of 25°C, unless otherwise specified. 20MHz bandwidth frequency oscilloscope, add a 0.1µF multilayer Cap. and Low ESR Electrolytic Cap. (10µF) at output connector terminals (nominal line voltage, full load). Efficiency is measured after 30 minutes burn-in. | | |



PSM10R Outline Drawings





**Supplier's Declaration of Conformity
47 CFR § 2.1077 Compliance Information**


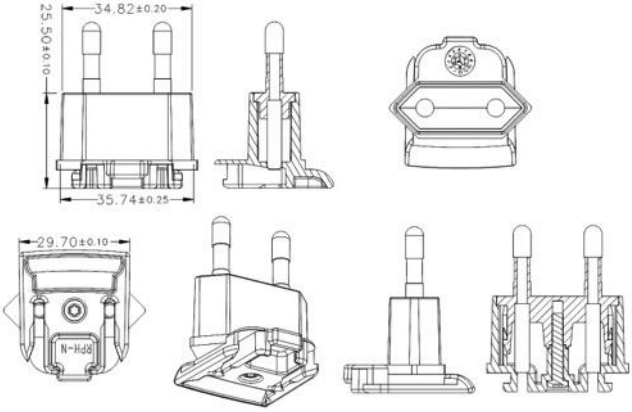

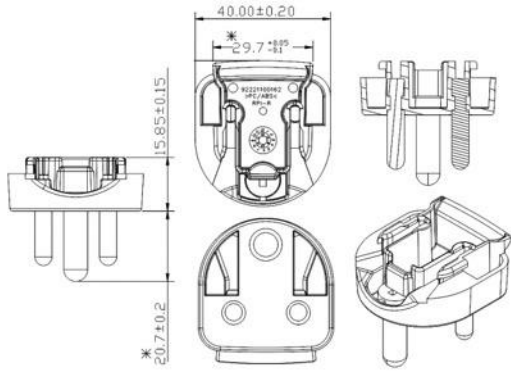

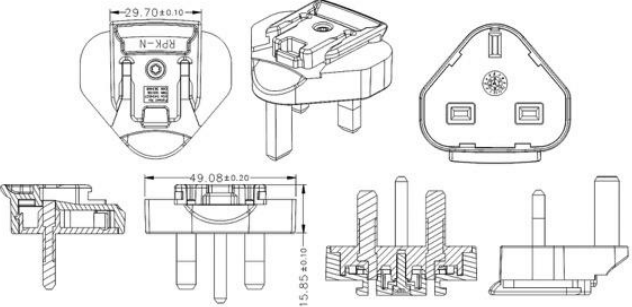

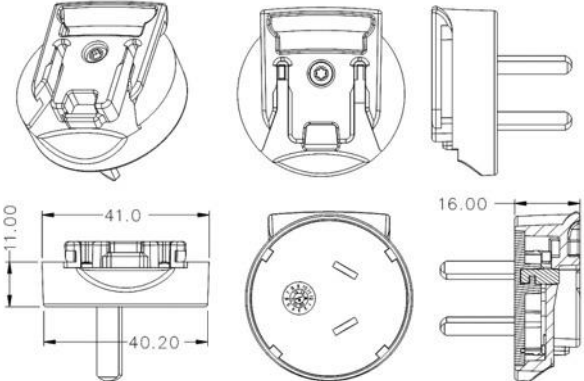
Phihong USA Corporation
47800 Fremont Boulevard
Fremont, CA 94538
Telephone: (510) 445-0100
www.phihong.com


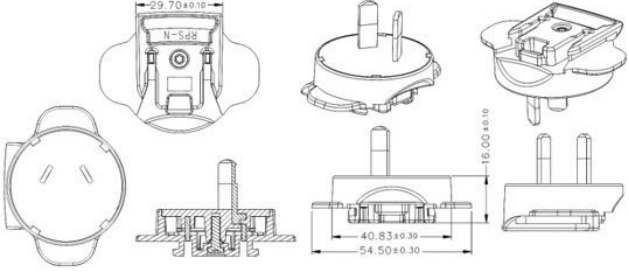

This device complies with/The devices in this product series comply with part 15 of the FCC Rules. Operation is subject to the following two conditions: (1) This device may not cause harmful interference, and (2) this device must accept any interference received, including interference that may cause undesired operation.



AC Input Clips – Sold Separately

| Model | Photo | Description | Outline Drawing - mm |
|-------------|-------|-------------|----------------------|
| RPA-AB01B-H | | US Clip | |
| RPB-AB01B-H | | Brazil Clip | |
| RPC-AB01B-H | | China Clip | |
| RPE-AB01B-H | | Europe Clip | |

| Model | Photo | Description | Outline Drawing - mm |
|-------------|---|----------------|--|
| RPH-AB01B-H |  | Korea Clip |  |
| RPI-AB01B-H |  | India Clip |  |
| RPK-AB01B-H |  | UK Clip |  |
| RPN-AB01B-H |  | Argentina Clip |  |

| Model | Photo | Description | Outline Drawing - mm |
|----------------|---|----------------|--|
| RPS-AB01B-H |  | Australia Clip |  |
| RPBAG-AB01VB-H | <p>Product package comes with RPA-AB01B-H, RPE-AB01B-H, RPK-AB01B-H and RPS-AB01B- in a plastic bag.</p>  | | |