

PYA12T Series



12W Interchangeable Plug Wall Mount Adapters



Key Product Features

- Interchangeable US/EU/UK/AU Plugs (sold separately)
- US DoE Level VI Efficiency Compliance
- EU Ecodesign 2019/1782 Compliance
- EU CoC Version 5 Tier 2 Compliance
- Load Regulation: +/-5%
- Over-Voltage, Over-Current and Short Circuit Protection

Applications

- Telecommunication Electronic Devices
- Set-top Devices
- Office Equipment
- Peripheral Devices

Description

Phihong PYA12T Series 12-watt wall adapters utilizing interchangeable plugs are versatile and efficient power solutions designed to meet the needs of a wide range of electronic devices. One of the key features of these adapters is their ability to accommodate various field changeable plug types, including US, EU, UK, and AU plugs. This versatility allows users to easily adapt the adapters to different electrical systems and socket configurations, eliminating the need for multiple adapters or converters when traveling to different countries.

The adapters meet Level VI and EU Ecodesign 2019/1782 efficiency limits as well as those of Level VII limits proposed by the US Department of Energy in 2023 and voluntary Code of Conduct Version 5 Tier 2 limits.

Phihong, a reputable manufacturer known for its high-quality power solutions, ensures that these adapters meet stringent safety standards. Built-in protection mechanisms such as over-voltage protection, over-current protection, and short-circuit protection safeguard your device against potential damage, providing peace of mind to users.

PYA12T Series

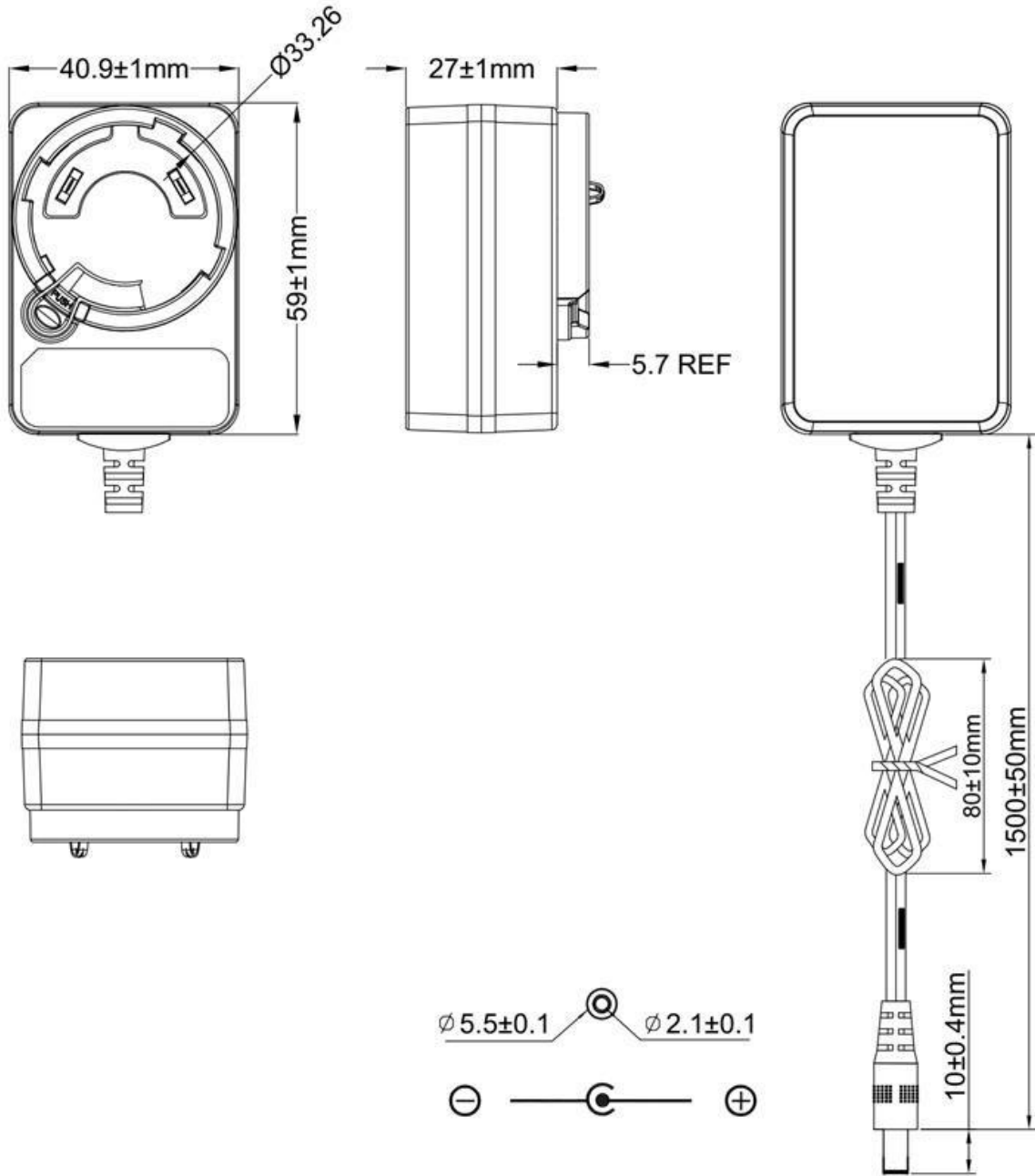


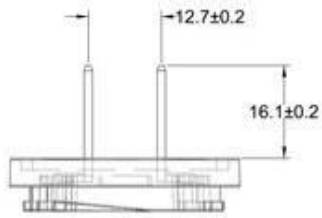
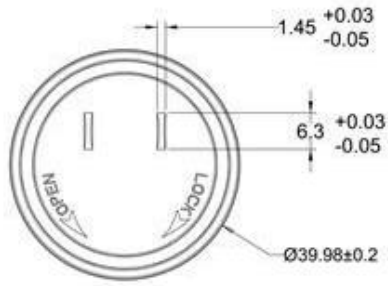
Specifications¹

Model		PYA12T050240	PYA12T090130	PYA12T120100
Output	DC Output Voltage	5.0V	9.0V	12.0V
	Max Current	2.4A	1.30A	1.0A
	Output Power	12.0W	11.7W	12.0W
	Regulation	±1% Line /± 5% Load	±1% Line /± 5% Load	±1% Line /± 5% Load
	Ripple & Noise P-P(max) ²	100mV	120mV	120mV
Input	AC Input Voltage Range	90 to 264VAC		
	AC Input Frequency	47 to 63Hz		
	Input Current	0.4A max. @ input 100-240VAC, full load		
	Inrush Current	42A max. @ input 240VAC (Cold start at ambient 25°C, full load)		
	No Load Power Consumption at 115VAC Input	≤0.075W	≤0.075W	≤0.075W
	No Load Power Consumption at 230VAC Input	≤0.075W	≤0.075W	≤0.075W
	115VAC Average Efficiency ³	≥80.304%	≥83.249%	≥83.263%
	230VAC Average Efficiency ³	≥80.304%	≥83.249%	≥83.263%
	230VAC 10% Load Efficiency ³	≥71.000%	≥73.249%	≥73.263%
	Leakage Current	0.25mA max		
Protection	Over-Voltage	15V max	27V max	27V max
	Short Circuit	Auto-recovery and no damage.		
	Over-Current	4.8A max Auto-restart	2.66A max Auto-restart	2.0A max Auto-restart
Environmental	Operating Temperature	0°C to +40°C		
	Non-Operating Temperature	-20°C to +70°C		
	Operating Humidity	10 to 95%		
Safety Approvals and EMC (Pending)	Dielectric Withstand (HI-POT)	Primary to Secondary: 3000VAC for 1min, 10mA		
	Insulation Resistance	Primary to Secondary: >7M ohm for 500VDC		
	Standards	cULus 62368-1, IEC 62368-1, AS/NZS 62368.1		
	EMI Emissions	FCC Part 15 Class B, CAN ICES-003(B)/NMB-003(B), CISPR 32 Class B Conducted & Radiated		
	Harmonic Current Emissions	IEC 61000-3-2		
	Voltage Fluctuations & Flicker	IEC 61000-3-3		
Mechanical	Immunity	EN 55035/CISPR 35: IEC 61000-4-2 (+/-8kV air, +/- 4kV contact), IEC 61000-4-3, IEC 61000-4-4, IEC 61000-4-5 (2KV L-L, 1KV L-FG), IEC 61000-4-6, IEC 61000-4-8, IEC 61000-4-11		
	Dimensions (L x W x H)	59.0mm (2.32in) x 40.9mm (1.61in) x 32.7mm (1.29in)		
	DC Cord & Gauge	1500mm & 20AWG		
MTBF	DC Output Connector	2.1mm x 5.5mm x 10mm center positive		
	Telcordia (SR-332 Issue 3)	>1,000,000 Hours min. at 264VAC/50Hz, max. load, 25°C		
Notes	<ol style="list-style-type: none"> The specifications defined are at ambient temperature of 25°C, unless otherwise specified. 20MHz bandwidth frequency oscilloscope, add a 0.1µF multilayer Cap. and Low ESR Electrolytic Cap. (10µF) at output connector terminals (nominal line voltage, full load). Efficiency is measured after 30 minutes burn-in. 			

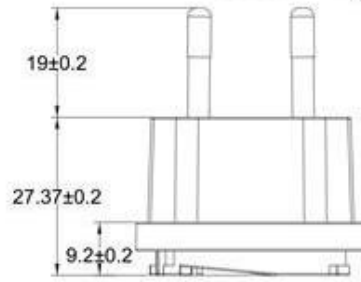
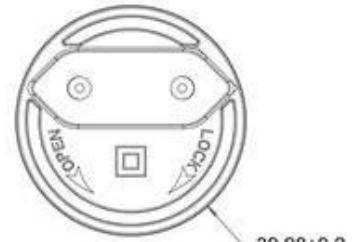
PYA12T Series

Outline Drawing

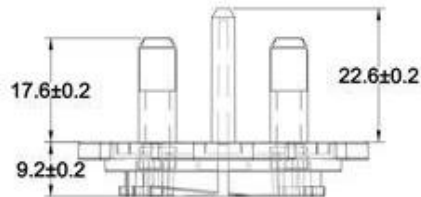
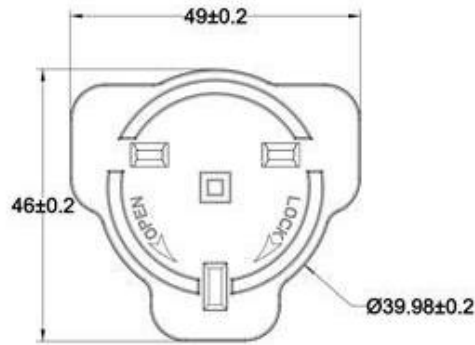




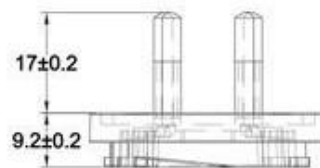
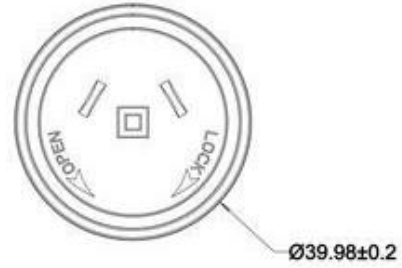
TPA



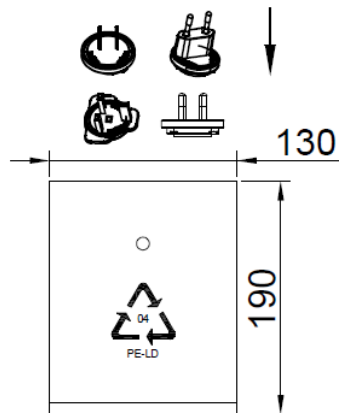
TPE



TPK



TPS



TPBAG

Contains a set of all four clips (TPA, TPE, TPK, and TPS)