



## 10W Compact Fixed Blade Charger with DC Cord



### Features

- Level VI Efficiency
- OVP, SCP, OCP
- Class B EMI

### Applications

- MPEG Players
- PDAs
- Personal Electronics
- Digital Cameras

### Safety Approvals

- UL 60950-1<sup>1</sup>, UL 62368-1<sup>1</sup>
- IEC 60950-1<sup>2</sup>, IEC 62368-1<sup>2</sup>
- CE<sup>2</sup>
- RCM<sup>3</sup>

### Mechanical Characteristics – US & EU Models

- Length: 71.2mm (2.80in)
- Height: 52.5mm (2.07in) - US
- Height: 64.7mm (2.55in) - EU
- Width: 34mm (1.34in)
- Weight: 72.7g (2.56oz) - US
- Weight: 75.5g (2.66oz) - EU

### Mechanical Characteristics – UK Models

- Length: 71.2mm (2.80in)
- Height: 55.5mm (2.19in)
- Width: 49.1mm (1.93in)
- Weight: 82.2g (2.90oz)

### Mechanical Characteristics – AUS Models

- Length: 71.2mm (2.80in)
- Height: 55mm (2.17in)
- Width: 40.59mm (1.60in)
- Weight: 75.1g (2.65oz)

### Output Specifications

Model	Prong Style	DC Output Voltage	Load		Ripple <sup>4</sup> P-P (max)	Regulation		Output Cable
			Min.	Max.		Line	Load	
AA10A-050A-R	US	5V	0A	2A	200mV	±1%		Barrel
AA10A-050A(M)-R	US	5V	0A	2A	200mV	±1%		Micro-B
AA10E-050A-R	EU	5V	0A	2A	200mV	±1%		Barrel
AA10E-050A(M)-R	EU	5V	0A	2A	200mV	±1%		Micro-B
AA10K-050A-R	UK	5V	0A	2A	200mV	±1%		Barrel
AA10K-050A(M)-R	UK	5V	0A	2A	200mV	±1%		Micro-B
AA10S-050A-R <sup>5</sup>	AUS	5V	0A	2A	200mV	±1%		Barrel
AA10S-050A(M)-R	AUS	5V	0A	2A	200mV	±1%		Micro-B

Notes:

1. US models only
2. EU & UK models only
3. AUS models only
4. Measuring is done by 20MHz bandwidth oscilloscope and terminated each output with a 10uF aluminum electrolytic capacitor and a 0.1uF ceramic capacitor
5. Special order MOQ

**INPUT:**

**AC Input Voltage Range**  
90 to 264VAC

**AC Input Voltage Rating**  
100 to 240VAC

**AC Input Frequency**  
47-63Hz

**AC Input Current**  
0.3A(RMS) max. @115Vac/60Hz

**In-Rush Current**  
60A max @230Vac/50Hz, 25°C

**Leakage Current**  
20uA max. @254Vac50Hz

**No-Load Power Saving**  
≤75mW @230Vac/50Hz, no load

**OUTPUT:**

**Power**  
10W Maximum

**Efficiency<sup>2</sup>**  
DOE Level VI

**ENVIRONMENTAL:****Temperature**

Operation	0°C to +40°C
Non-operation	-20°C to +85°C
Humidity	~85%

**EMI**

Complies with FCC part 15 Class B  
Complies with EN55032 Class B

**Immunity**

ESD:	IEC61000-4-2
Radio-frequency:	IEC61000-4-3
Electrical fast transients:	IEC61000-4-4
Surge:	IEC61000-4-5
Radio frequency continuous:	IEC61000-4-6
Power frequency magnetic:	IEC61000-4-8
Voltage Dips:	IEC61000-4-11

**Dielectric Withstand (Hi-pot) Test**

Primary to Secondary: 3000VAC, 10mA, 1min

**Insulation Resistance**

Primary to Secondary: 10M ohm. 500Vdc, 1min

**FEATURES****Over-voltage Protection**

Output voltage shall not exceed 9V

**Short-circuit Protection**

Auto recovery and no component damage

**Over-current Protection**

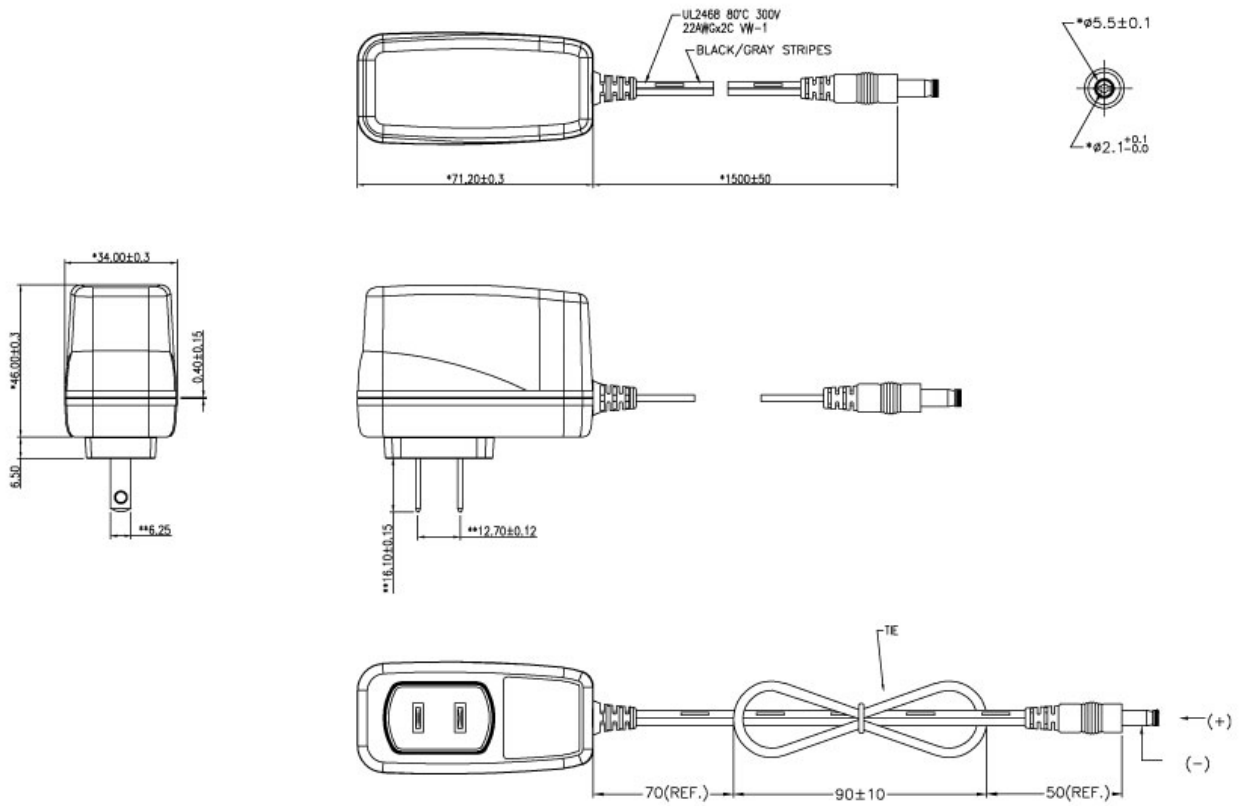
2.2A

**Notes:**

1. The characteristics defined are at ambient temperature of 25°C unless otherwise specified
2. Efficiency is measured after 30 minutes burn-in

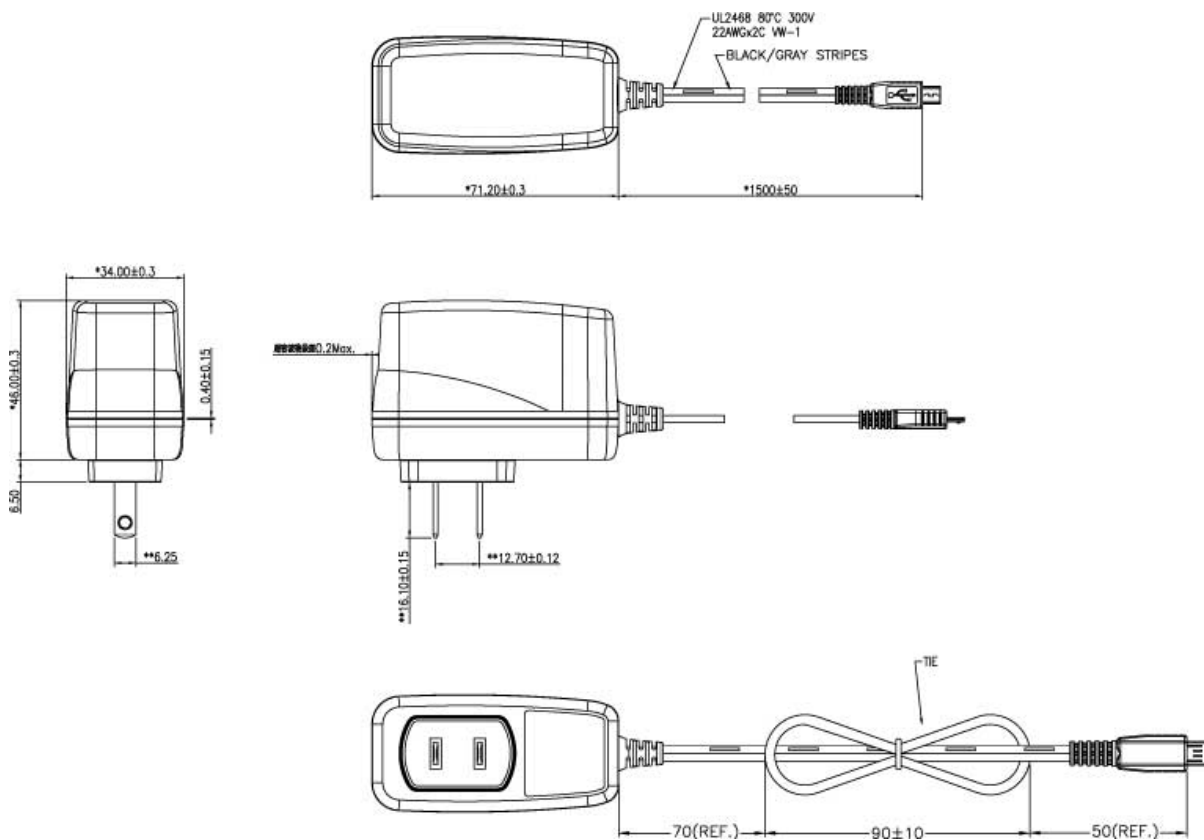
Dimension Diagram Unit: mm

AA10A-050A-R



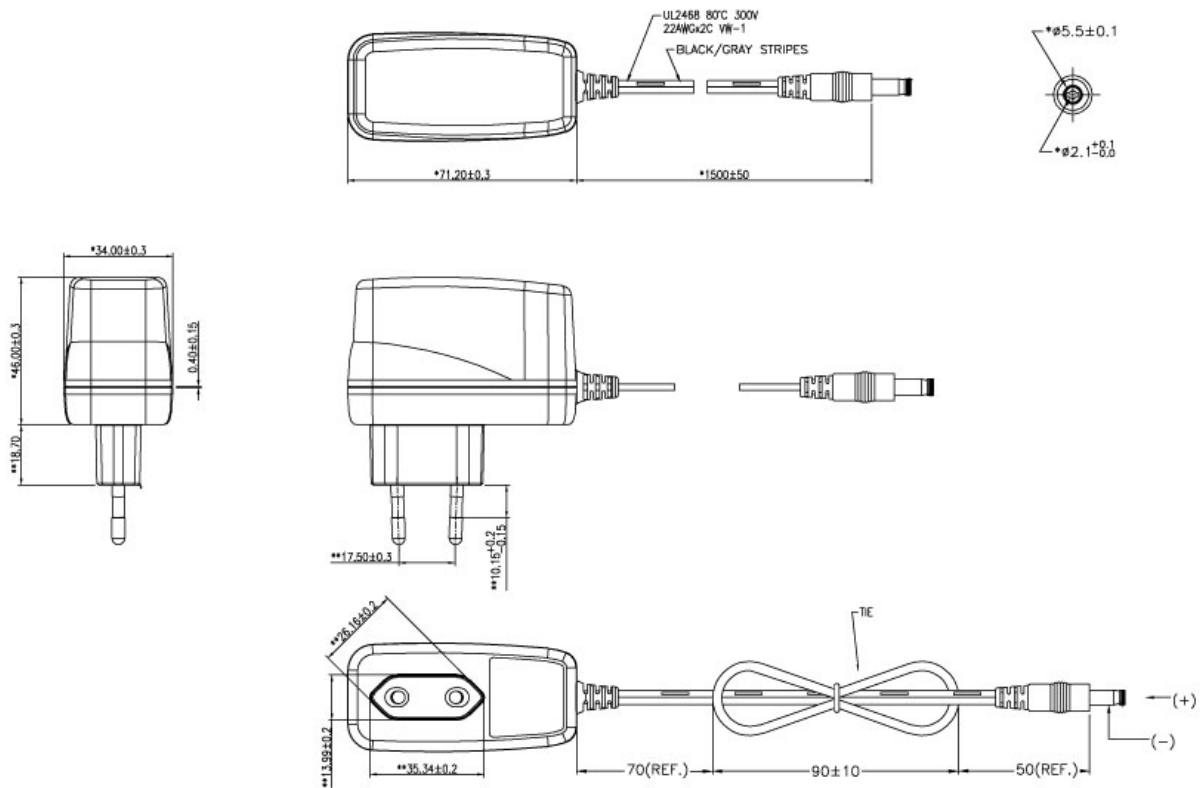
Dimension Diagram Unit: mm

AA10A-050A(M)-R



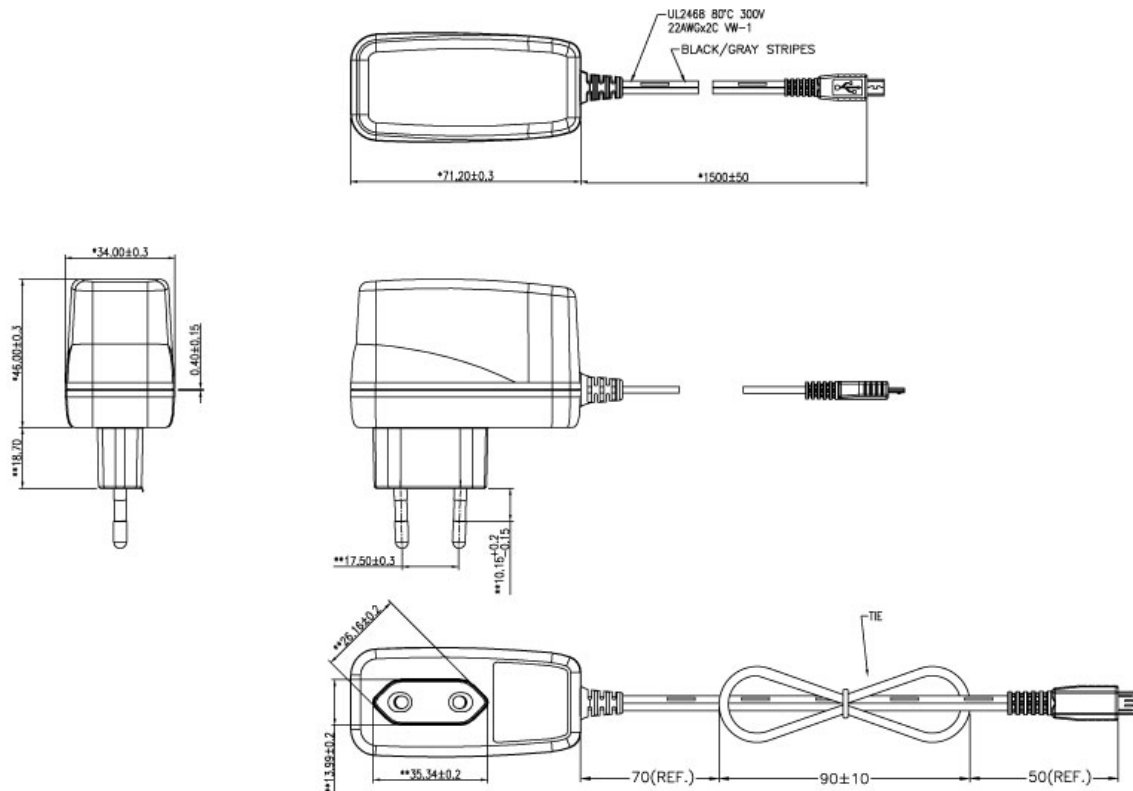
Dimension Diagram Unit: mm

AA10E-050A-R



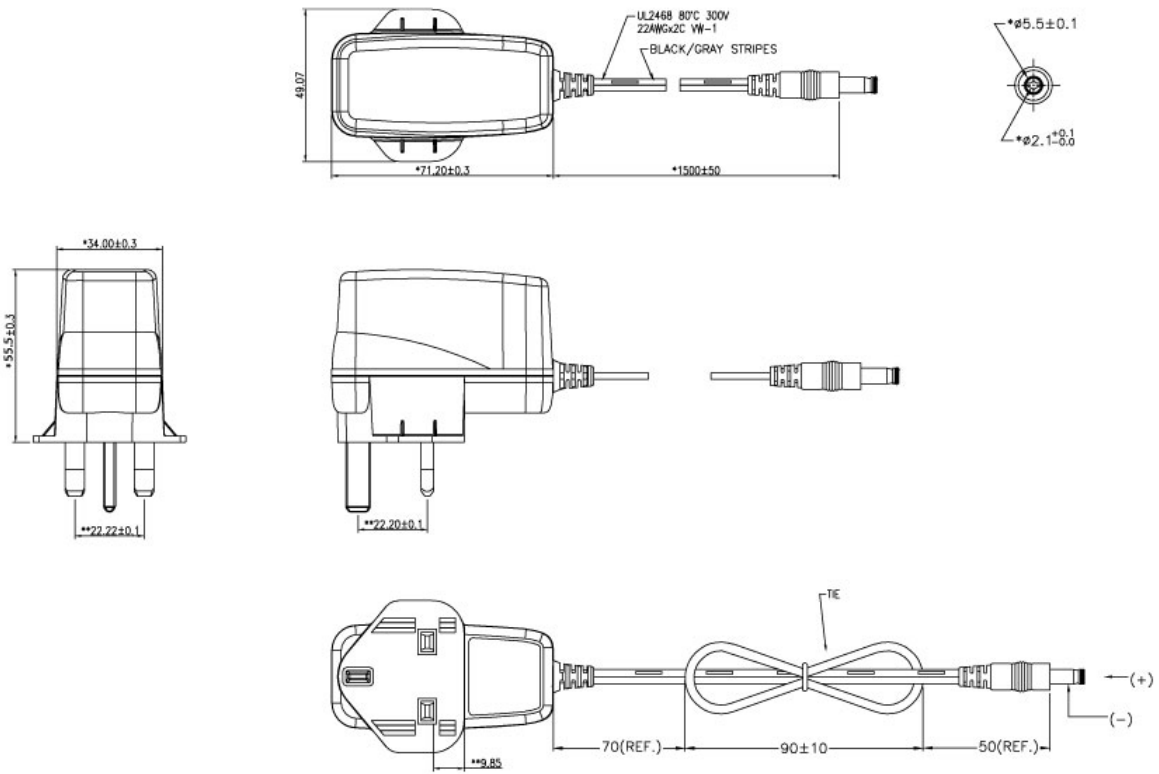
Dimension Diagram Unit: mm

AA10E-050A(M)-R



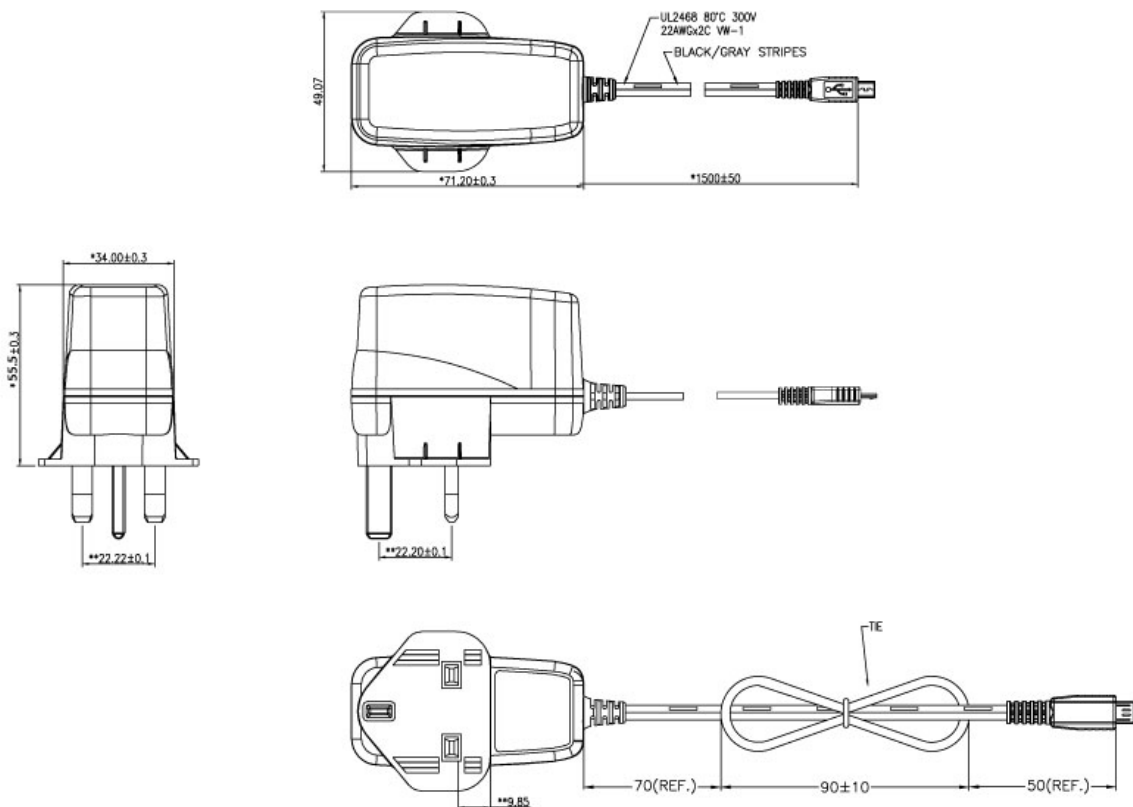
Dimension Diagram Unit: mm

AA10K-050A-R



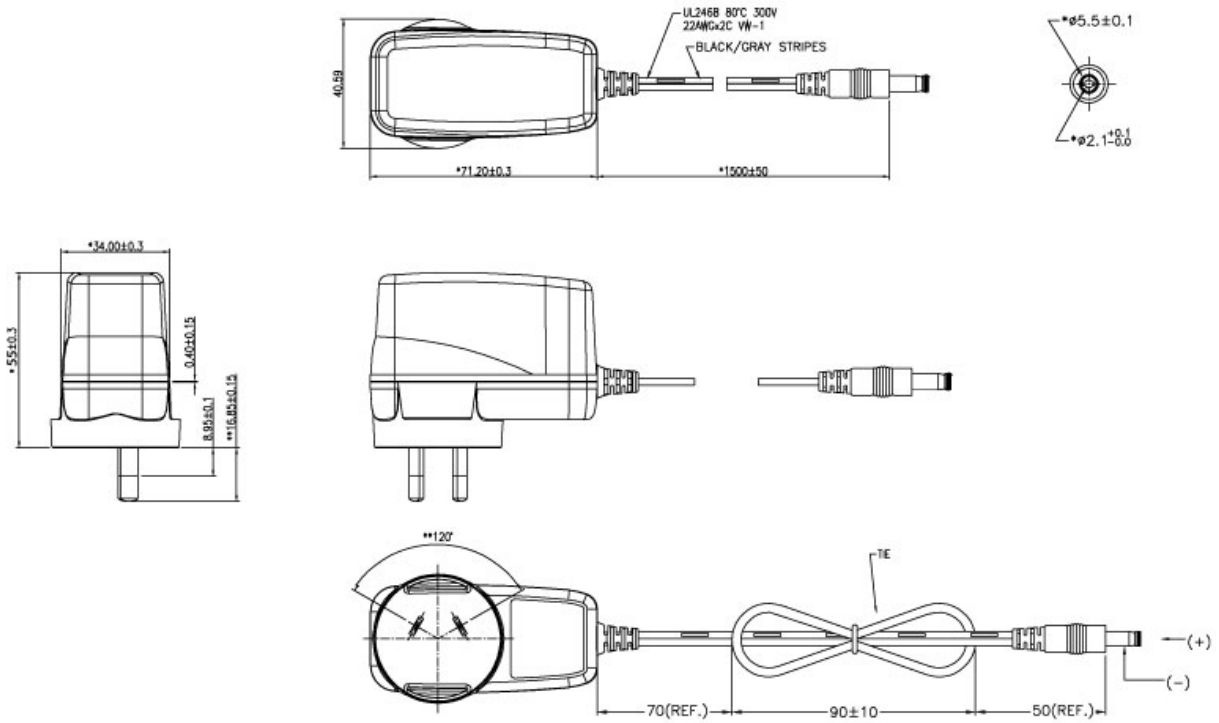
Dimension Diagram Unit: mm

AA10K-050A(M)-R



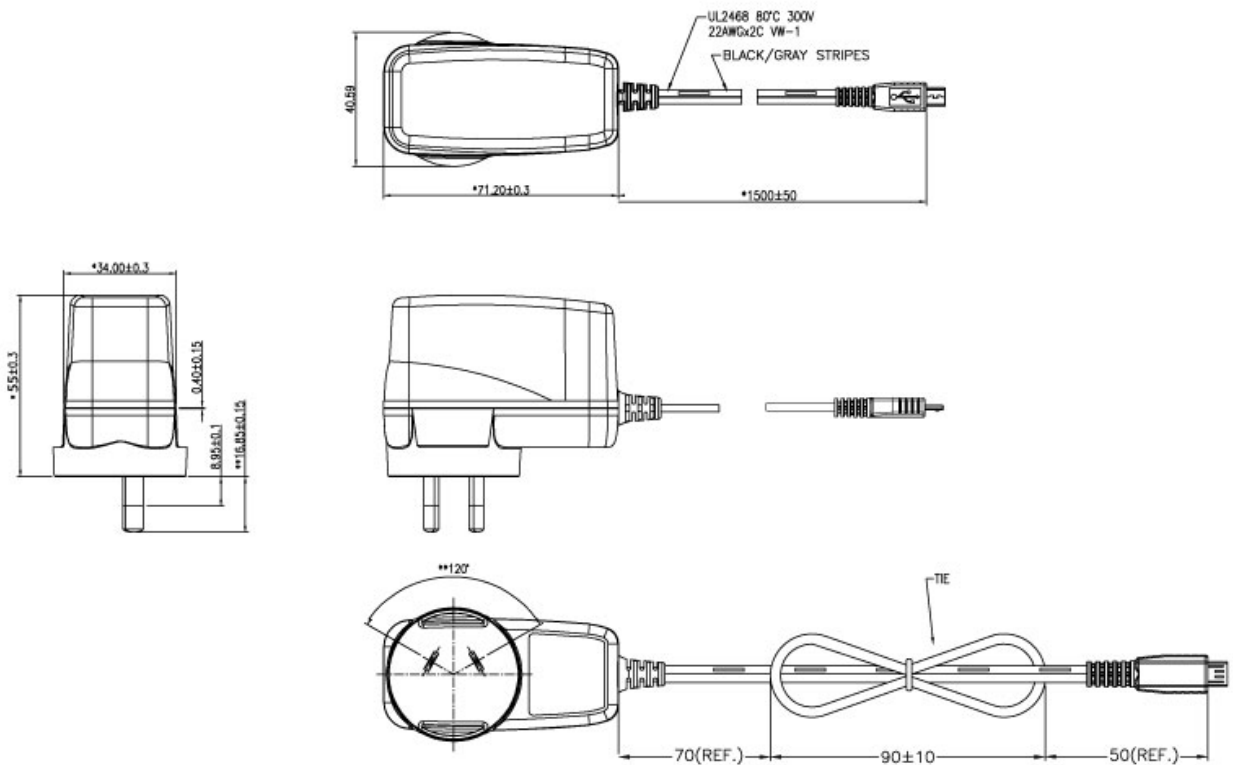
Dimension Diagram Unit: mm

AA10S-050A-R



Dimension Diagram Unit: mm

AA10S-050A(M)-R



**Supplier's Declaration of Conformity  
47 CFR § 2.1077 Compliance Information**

**AA10A-050A-R  
AA10A-050A(M)-R**

Phihong USA Corporation  
47800 Fremont Boulevard  
Fremont, CA 94538  
Telephone: (510) 445-0100  
[www.phihong.com](http://www.phihong.com)

NOTE: These models have been tested and found to comply with the limits for a Class B digital device, pursuant to part 15 of the FCC Rules. These limits are designed to provide reasonable protection against harmful interference in a residential installation. This equipment generates, uses and can radiate radio frequency energy and, if not installed and used in accordance with the instructions, may cause harmful interference to radio communications. However, there is no guarantee that interference will not occur in a particular installation. If this equipment does cause harmful interference to radio or television reception, which can be determined by turning the equipment off and on, the user is encouraged to try to correct the interference by one or more of the following measures:

- Reorient or relocate the receiving antenna.
- Increase the separation between the equipment and receiver.
- Connect the equipment into an outlet on a circuit different from that to which the receiver is connected.
- Consult the dealer or an experienced radio/TV technician for help.

Changes or modifications to equipment not expressly approved by PHIHONG could void the user's authority to operate the equipment.